

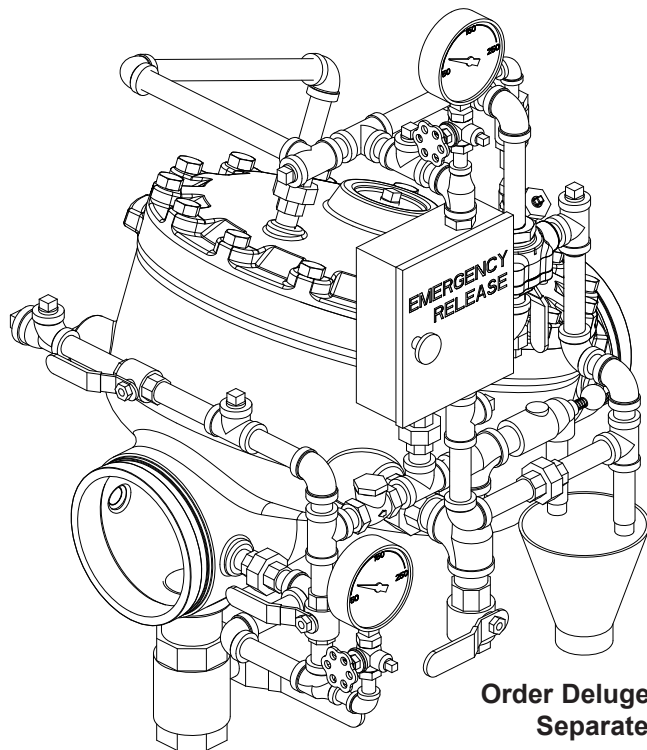


# TECHNICAL DATA

**8" (DN200) MODEL F-1  
DELUGE VALVE HORIZONTAL  
CONVENTIONAL TRIM CHART**  
Maximum 250 PSI Water Working Pressure

The Viking Corporation, 210 N Industrial Park Drive, Hastings MI 49058

Telephone: 269-945-9501 Technical Services: 877-384-5464 Fax: 269-818-1680 Email: techsvcs@vikingcorp.com



**Order Deluge Valve Separately**

**Figure 1**

<b>This Trim Chart is for use with the following Viking Trim Sets</b>		
<b>Valve Size</b>	<b>Galvanized Trim Part No.</b>	<b>Brass Trim Part No.</b>
8" (DN200)	14643-1	14643-2
<b>This Trim is for use with the following Release Module Trim Kits</b>		
<b>Release Type</b>	<b>Galvanized*</b>	<b>Brass**</b>
Pneumatic	<a href="#">10809</a>	<a href="#">10811</a>
Electric	<a href="#">10830</a>	<a href="#">10832</a>
Electric/ Pneumatic	<a href="#">12661-1</a>	<a href="#">12661-2</a>
Pneumatic/ Pneumatic	<a href="#">12662-1</a>	<a href="#">12662-2</a>
<p>* Standard Trim sets for Model F Deluge Valves consist of galvanized nipples and fittings.                  **Refer to Technical Data describing the Halar® Coated Deluge Valve and the Viking Foam Systems Engineering Design Data book for applications where brass trim is recommended.  <b>Note:</b> Nipple lengths for brass trim may vary from those shown on this Trim Chart.</p>		

**Notes: For use with Trim Chart on Page 242b**

**Note:** When viewing this data page online, [blue text](#) represents hyperlinks and will open the appropriate data page when clicked.

**General Notes:**

- Valve must be trimmed as shown. Any deviation from trim size or arrangement may affect the proper operation of the valve.
- All pipe 3/4" (20 mm) and smaller shall be galvanized steel except when other materials are specified in the Technical Data for the Halar® Coated Deluge Valve or when other materials are specified in the Viking Foam Systems Engineering and Design Data book.
- When Model F Deluge Valves are used on pre-mixed Foam Systems, trim piping must be of black steel pipe with cast iron or malleable iron fittings unless otherwise specified in the Technical Data for the Halar® Coated Deluge Valve or the Viking Foam Systems Engineering and Design Data book.
- Dimensions in parentheses are millimeter and may be approximations.

- Note 1:** 1/2" (15 mm) NPT plugged outlet provided for connecting certain optional components and associated trim.
- Note 2:** Release System connection. Viking Deluge and Flow Control Valves are compatible with hydraulic, pneumatic, and electric release systems. A Pneumatic Actuator is required on all Viking Deluge Valves and Flow Control Valves equipped with Pneumatic Release Systems.
- Note 3:** Alarm Connections: Connect alarm line piping to 3/4" (20 mm) NPT outlet. When using a Water Motor Alarm, a strainer is required. 1/2" (15 mm) NPT outlet is for electric Alarm Pressure Switch.
- Note 4:** Optional non-interruptible connection for Alarm Pressure Switch to activate electric alarm panel. Note: After the Deluge Valve trips, this location cannot be shut off. Alarms may operate until the outlet chamber of the deluge valve is de-pressurized below the set point of the Alarm Pressure Switch.
- Note 5:** Viking Drain Check Valve is manufactured with a 0.067" (1.7 mm) orifice to allow alarm line to drain. DO NOT substitute. Check label for proper orientation.
- Note 6:** Inlet side of PORV is connected to the top chamber of the deluge valve. Inlet of PORV should be facing up. Outlet goes to open drain.



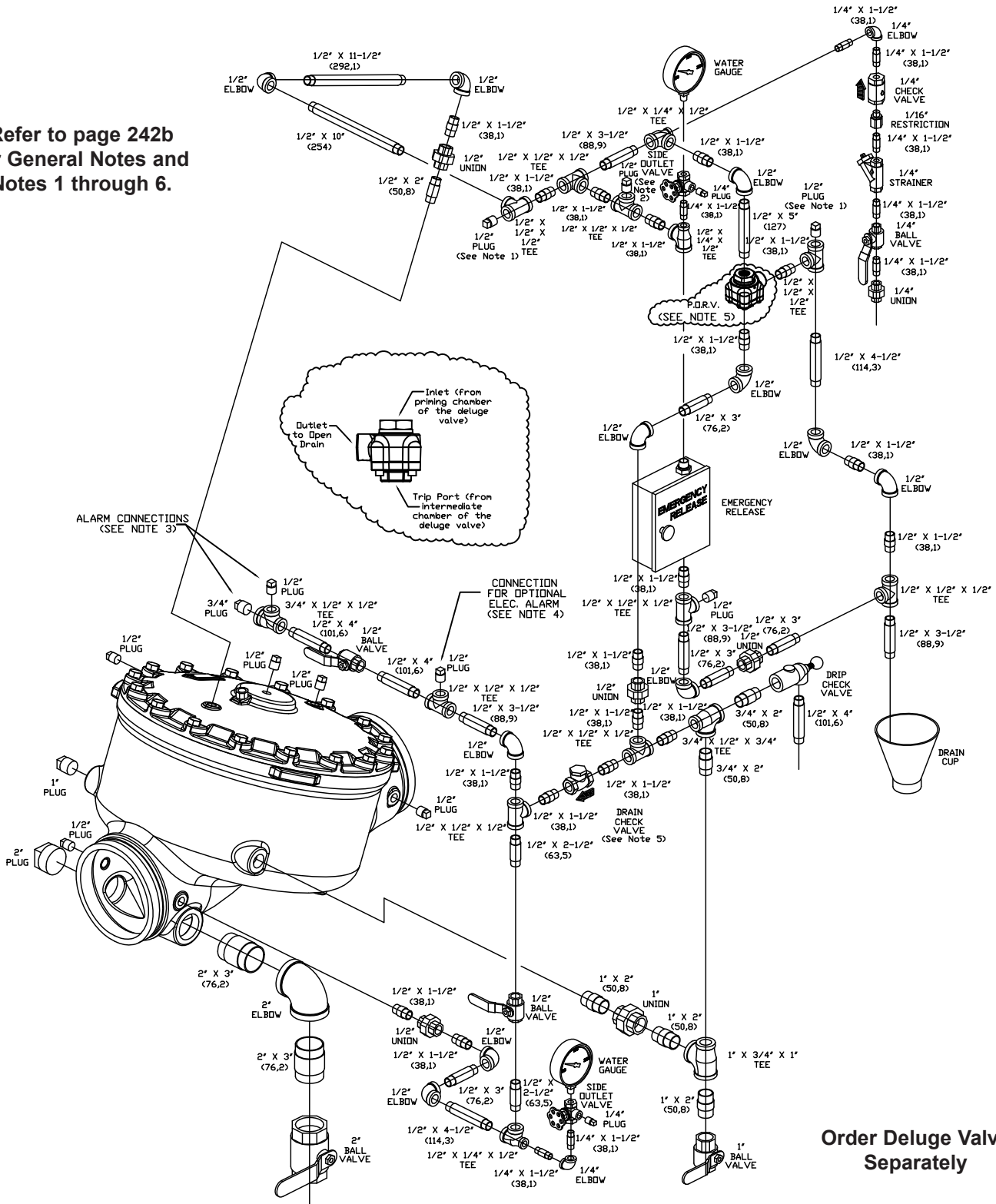
# TECHNICAL DATA

**8" (DN200) MODEL F-1  
DELUGE VALVE HORIZONTAL  
CONVENTIONAL TRIM CHART**  
Maximum 250 PSI Water Working Pressure

The Viking Corporation, 210 N Industrial Park Drive, Hastings MI 49058

Telephone: 269-945-9501 Technical Services: 877-384-5464 Fax: 269-818-1680 Email: techsvcs@vikingcorp.com

Refer to page 242b  
for General Notes and  
Notes 1 through 6.



**Order Deluge Valve  
Separately**

**Figure 2**



# TECHNICAL DATA

**8" (DN200) MODEL F-1  
DELUGE VALVE HORIZONTAL  
CONVENTIONAL TRIM CHART**  
Maximum 250 PSI Water Working Pressure

The Viking Corporation, 210 N Industrial Park Drive, Hastings MI 49058

Telephone: 269-945-9501 Technical Services: 877-384-5464 Fax: 269-818-1680 Email: techsvcs@vikingcorp.com

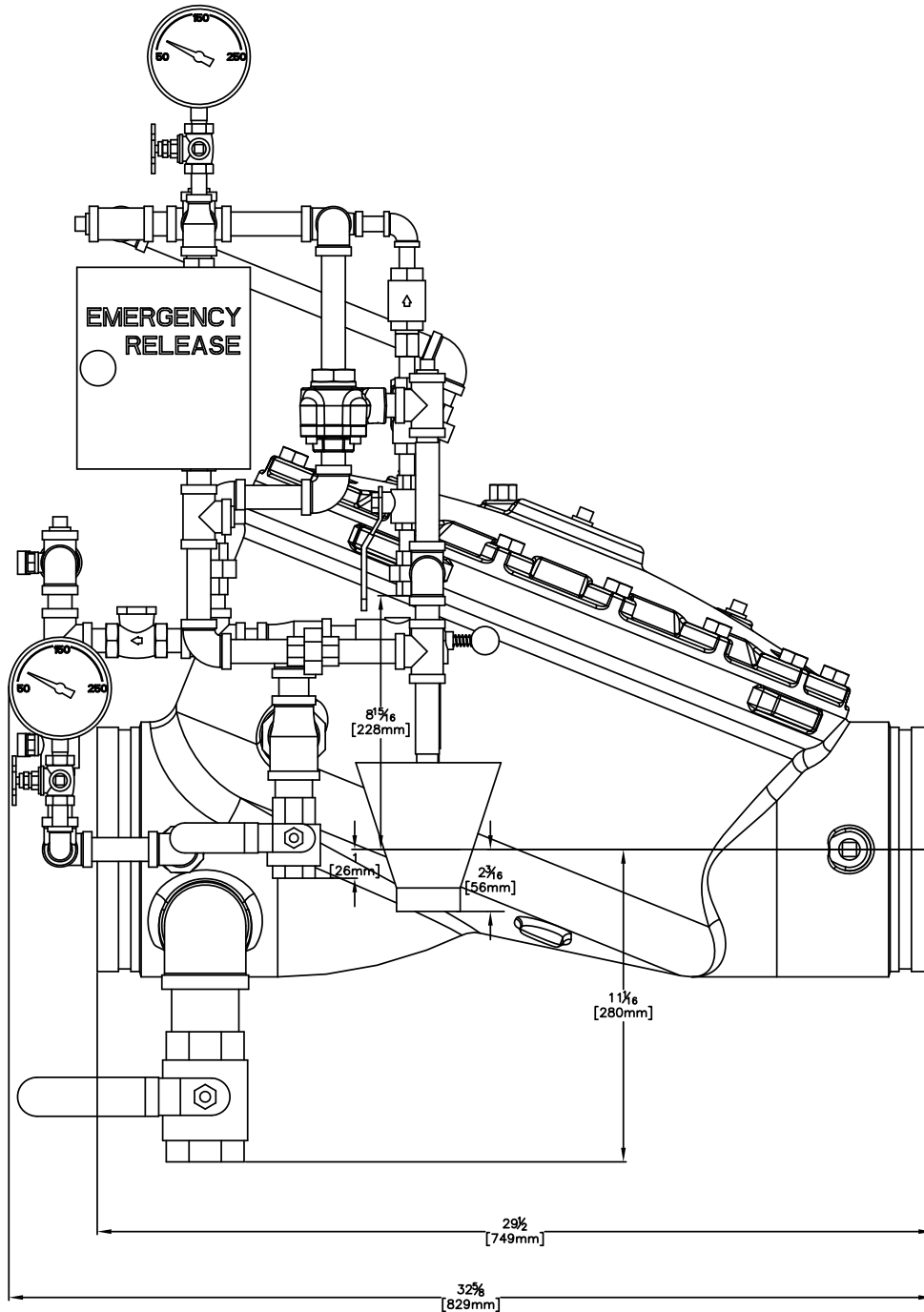


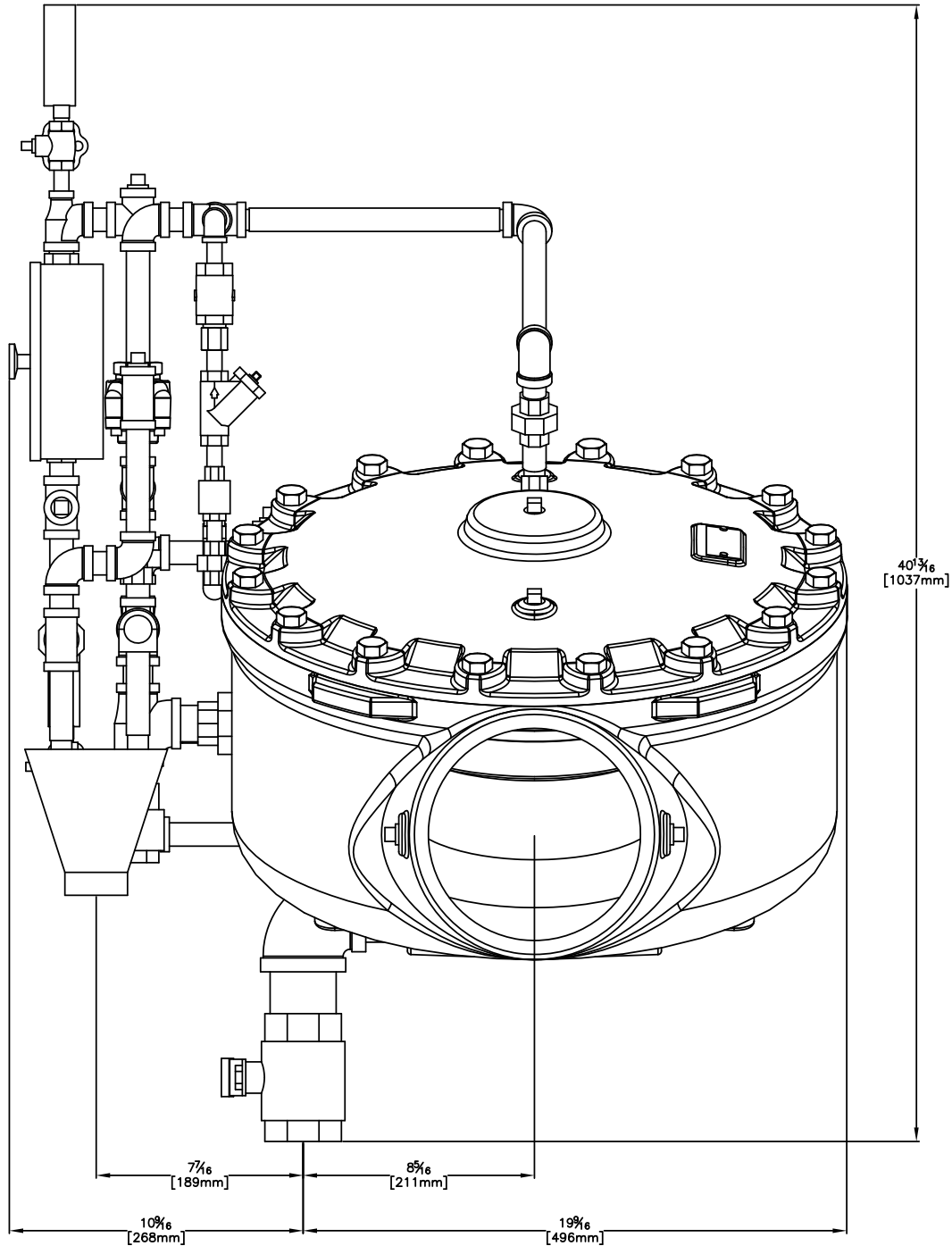
Figure 3a: Installation Dimensions



**TECHNICAL DATA**

**8" (DN200) MODEL F-1  
DELUGE VALVE HORIZONTAL  
CONVENTIONAL TRIM CHART**  
Maximum 250 PSI Water Working Pressure

The Viking Corporation, 210 N Industrial Park Drive, Hastings MI 49058  
Telephone: 269-945-9501 Technical Services: 877-384-5464 Fax: 269-818-1680 Email: techsvcs@vikingcorp.com



**Figure 3b: Installation Dimensions**