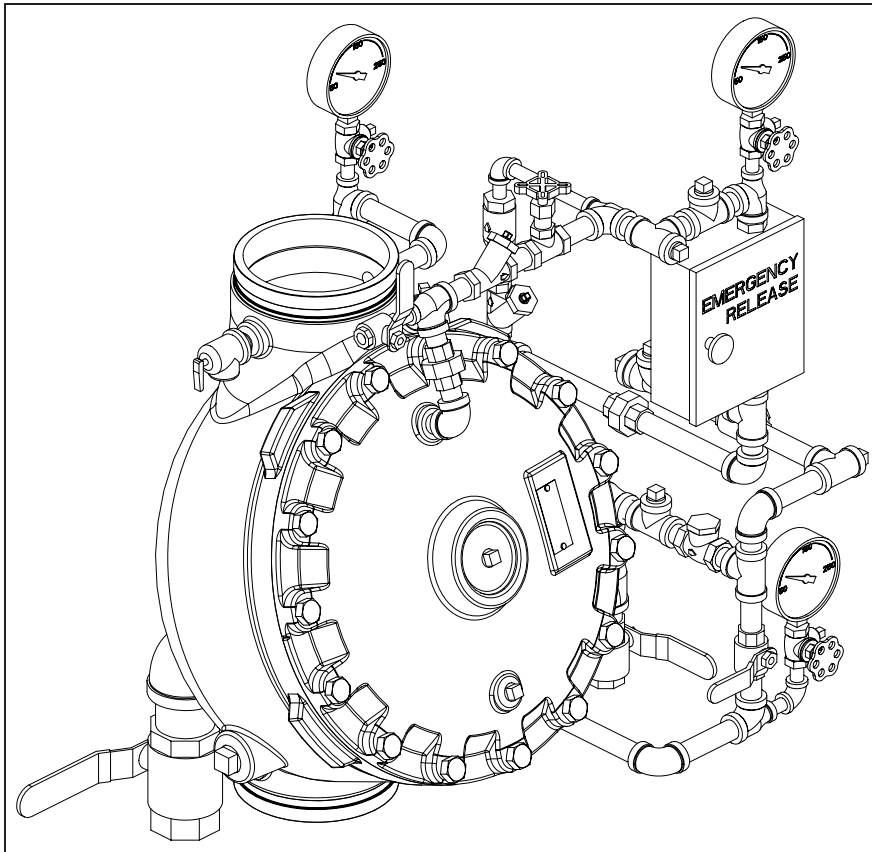


|   |  |   |
|---|--|---|
|  | <h1 style="margin: 0;">TECHNICAL DATA</h1> | <p><b>PILOT REGULATING<br/>FLOW CONTROL TRIM</b></p> <p>6" (DN150) MODEL J</p> <p><b>FLOW CONTROL VALVE</b></p> |
|---|--|---|

The Viking Corporation, 210 N Industrial Park Drive, Hastings MI 49058  
 Telephone: 269-945-9501 Technical Services 877-384-5464 Fax: 269-818-1680 Email: techsvcs@vikingcorp.com



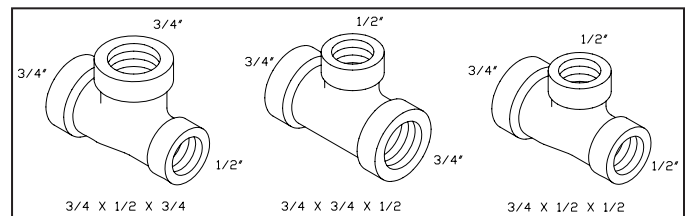
|  |                                 |                            |
|--|---------------------------------|----------------------------|
| <b>This Trim Chart is for use with the following Viking Trim Sets</b>                    |                                 |                            |
| <b>Valve Size</b>  | <b>Galvanized Trim Part No.</b> | <b>Brass Trim Part No.</b> |
| 6" (DN150)   | 14771-1                         | 14771-2                    |
| <b>This trim is for use with the following Release Module Trim Kits</b>                  |                                 |                            |
| <b>Release Type</b>  | <b>Galvanized</b>               | <b>Brass</b>               |
| Electric   | <a href="#">10830</a>           | <a href="#">10832</a>      |
| <b>Note:</b> Nipple lengths for brass trim may vary from those shown on this Trim Chart. |                                 |                            |

Note: When viewing this data page online, [blue](#) text represents hyper links and will open the appropriate data page when clicked.

**Notes: For use with Trim Charts on Page 544 k**

**General Notes:**

- Valve must be trimmed as shown. Any deviation from trim size or arrangement may affect the proper operation of the valve.
- Dimensions in parenthesis are millimeters.
- Viking uses ANSI tee designations (large outlet on run, small outlet on run, side outlet) in all trim call-outs.



**Note 1:** Release System connection.

**Note 2:** Alarm Connections: Connect alarm line piping to 3/4" (20 mm) NPT outlet. When using a Water Motor Alarm, a strainer is required. 1/2" (15 mm) NPT outlet is for electric Alarm Pressure Switch.

**Note 3:** Optional non-interruptible connection for Alarm Pressure Switch to activate electric alarm panel. Note: After the Deluge Valve trips, this location cannot be shut off. Alarms may operate until the outlet chamber of the deluge valve is de-pressurized below the set point of the Alarm Pressure Switch.

**Note 4:** Viking Drain Check Valve is manufactured with a 0.067" (1.7 mm) orifice to allow alarm line to drain. Do not substitute. Check label for proper orientation.

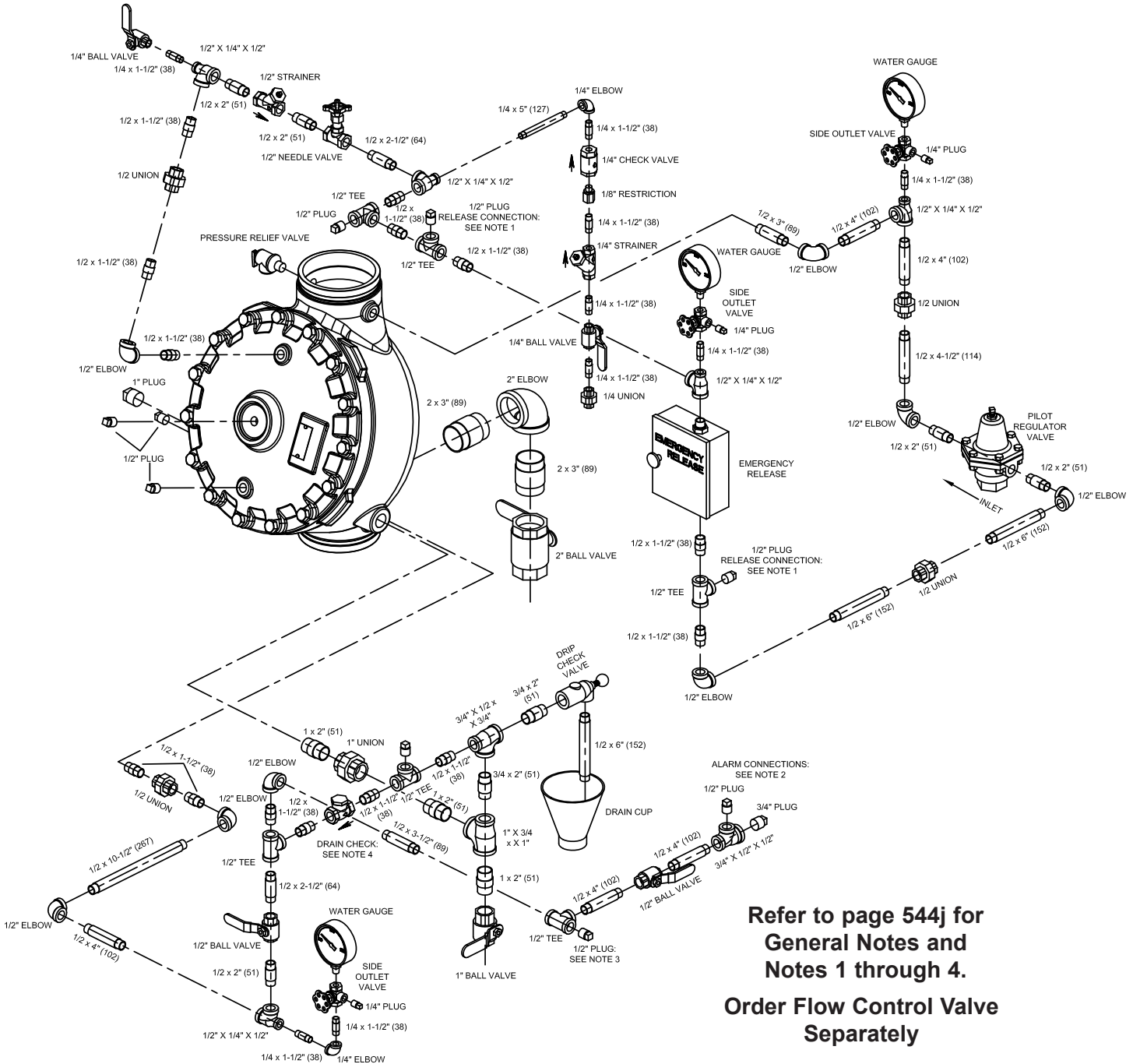


# TECHNICAL DATA

## PILOT REGULATING FLOW CONTROL TRIM 6" (DN150) MODEL J FLOW CONTROL VALVE

The Viking Corporation, 210 N Industrial Park Drive, Hastings MI 49058

Telephone: 269-945-9501 Technical Services 877-384-5464 Fax: 269-818-1680 Email: techsvcs@vikingcorp.com



**Refer to page 544j for  
General Notes and  
Notes 1 through 4.  
Order Flow Control Valve  
Separately**

Figure 1

6" Pilot Regulating Trim for Model J Flow Control Valve



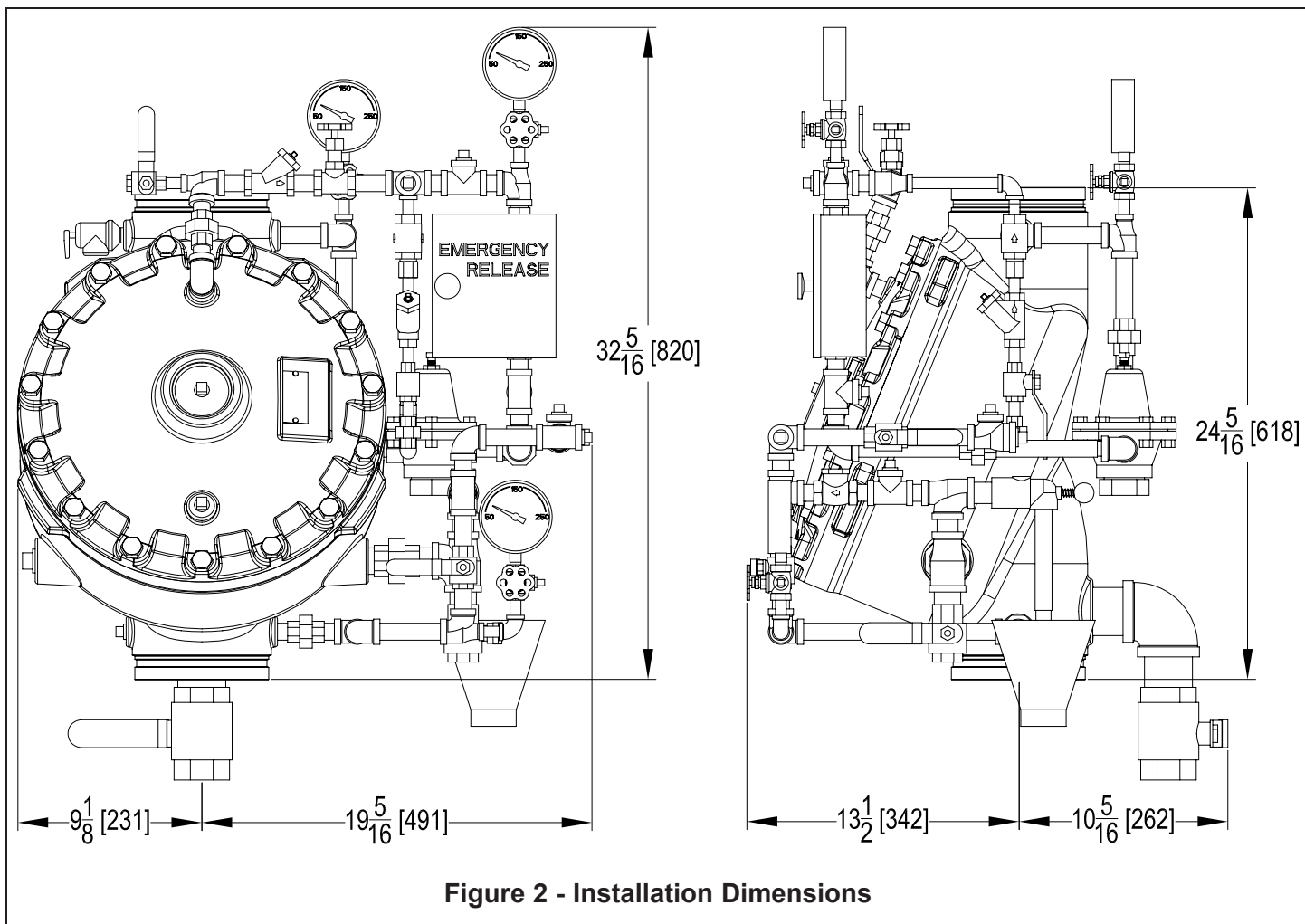
# TECHNICAL DATA

## PILOT REGULATING FLOW CONTROL TRIM

6" (DN150) MODEL J  
FLOW CONTROL VALVE

The Viking Corporation, 210 N Industrial Park Drive, Hastings MI 49058

Telephone: 269-945-9501 Technical Services 877-384-5464 Fax: 269-818-1680 Email: techsvcs@vikingcorp.com



**THIS PAGE  
INTENTIONALLY  
LEFT BLANK**