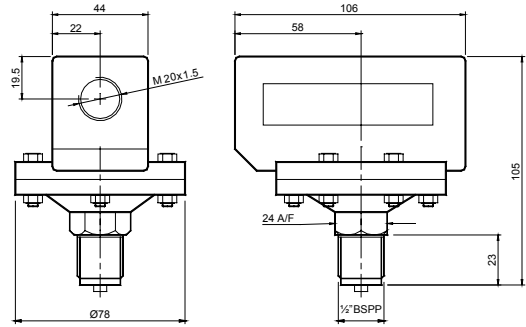


Alarm Pressure Switch

1381

Technical Features

- Weight : 0.9kg (2.0lbs)
- Enclosure : Zinc Diecast
- Pressure Connection : 1/2" BSP male brass fitting
- Switch Contacts : One set of Single Pole Double Throw (SPDT) switch contacts. 5.0 A @ 250 VAC.
- Environmental Specifications:
 - Temperature Effects: The ambient temperature range of the switches is -10°C to +85°C. The temperature coefficient is approximately 0.03% of the range per °C from 20°C.
 - Temperature Range: -10°C (14°F) to 80°C (185°F).
- IP65 Rated Enclosure



Alarm Devices

Alarm Pressure Switch - 1381

Physical Data

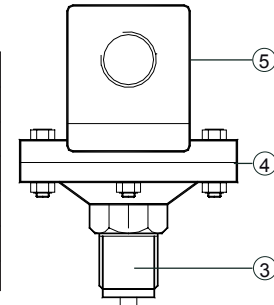
Reference	Max. Pressure (bar/psi)	SPDT Contact Set(s)	Pressure Range	Differential Pressure / Hysteresis (bar/psi)	Pressure Setting	Thread Size	Weight (kg/lbs)
PSW036138114	13.75 / 199	1	0.5 - 11 bar (7.3 to 160 psi)	0.30 / 4.4	Adjustable to any point within Pressure Range. Accurate to 0.22 bar (3.2 psi)	1/2" BSP male	0.9 / 2.0
PSW0361381V14				Adjustable from 5% to 95% of range			

Alarm Pressure Switch - 1381

Material List

Item	Description	Material
1	Diaphragm*	Beryllium Copper
2	Seal*	Glass Filled PTFE
3	Connection	Brass, 1/2" BSP male
4	Housing	Zinc Diecast
5	Cover	Glass Filled Nylon with Nitrile Seal

* Not shown



Alarm Pressure Switch - 1381

Wiring Instructions & Pressure Setting

