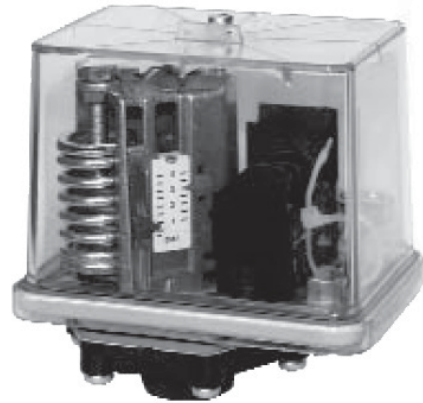


Pressure Supervisory Switch

FF410

Technical Features

- **Dimensions** : 78mm (3.1") Width x 103mm (4.1") Depth x 151mm (5.9") Height
- **Enclosure** : Cover - Plastic
Base - Zinc Diecast
- **Pressure Connection** : G^{1/2"} female thread according to DIN 150 228/1
- **Switch Contacts** : One control set of Single Pole Double Throw (SPDT) switch contacts. 6.0A @ 230 VAC, 0,1A @ 230V DC.
- **Conduit Entrances** : Cable gland PG13,5/M20
- **Environmental Specifications**:
- Temperature Range: -20°C (-4°F) to +70°C (158°F).
Protection class per IEC 529 is IP65 when using cable gland PG13,5/M20.
- **Features** : Can be orientated in any position.



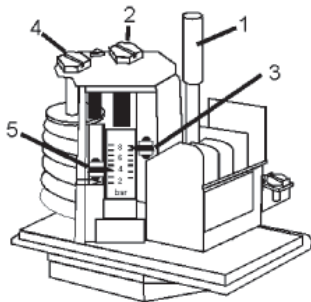
Pressure Supervisory Switch - FF410

Physical Data

Reference	Upper Pressure Setting Adjustment Range (bar/psi)	Lower Pressure Setting Adjustment Range (bar/psi)	Differential Range (bar/psi)	Max. Working Pressure (bar/psi)	SPDT Contact Sets	Factory Pressure Setting (bar/psi)	Thread Size	Weight (kg/lbs)
FF410DAI	0.7-10 / 10.1-145	0-8.5 / 0-123	0.5-1.5 / 7.3-21.8	32 / 464	1	4-5 / 58-73	G ^{1/2"} female	2,0 / 4.4

Pressure Supervisory Switch - FF410

Pressure Setting



1. - Set Upper Pressure Setting by adjusting screw 2, indicated by pointer 3.
2. - Set Lower Pressure Setting by adjusting screw 4, indicated by pointer 5.
3. - Note: Use manometer for precise setting.

Pressure Supervisory Switch - FF410

Wiring Instructions

