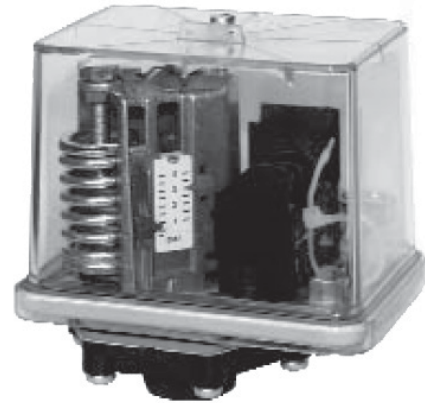


Alarm Pressure Switch

FF42

Technical Features

- **Dimensions** : 78mm (3.1") Width x 103mm (4.1") Depth x 151mm (5.9") Height
- **Enclosure** : Cover - Plastic
Base - Zinc Diecast
- **Pressure Connection** : G^{1/2}" female thread according to DIN 150 228/1
- **Switch Contacts** : One control set of Single Pole Double Throw (SPDT) switch contacts. 6.0A @ 230 VAC, 0,1A @ 230V DC.
- **Conduit Entrances** : Cable gland PG13,5/M20
- **Environmental Specifications**:
- Temperature Range: -20°C (-4°F) to +70°C (158°F).
Protection class per IEC 529 is IP65 when using cable gland PG13,5/M20.
- **Features** : Available in automatic or manual (minimum) reset version. Can be orientated in any position.



Alarm Devices

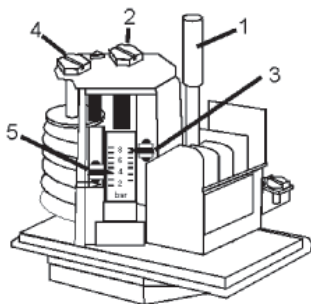
Alarm Pressure Switch - FF42

Physical Data

Reference	Reset	Upper Pressure Setting Adjustment Range (bar/psi)	Lower Pressure Setting Adjustment Range (bar/psi)	Differential Range (bar/psi)	Max. Working Pressure (bar/psi)	SPDT Contact Sets	Factory Pressure Setting (bar/psi)	Thread Size	Weight (kg/lbs)
FF42DAII	Automatic	0,5-1,0 / 7.3-14.5	0,4-0,9 / 5.8-13.1	0,1 / 1,5 Fixed	20 / 290	1	0,6-0,7 / 8.7-10.1	G ^{1/2} " female	2,0 / 4.4
FF42DRI	Manual	0,5-1,0 / 7.3-14.5	0,4-0,9 / 5.8-13.1	0,1 / 1,5 Fixed	20 / 290	1	0,6-0,7 / 8.7-10.1	G ^{1/2} " female	2,0 / 4.4

Alarm Pressure Switch - FF42

Pressure Setting



1. - Set Upper Pressure Setting by adjusting screw 2, indicated by pointer 3.
2. - Set Lower Pressure Setting by adjusting screw 4, indicated by pointer 5.
3. - Note: Use manometer for precise setting.

Alarm Pressure Switch - FF42

Wiring Instructions

