

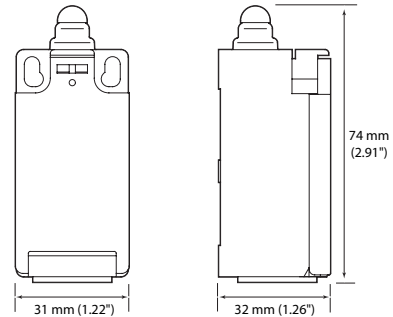


## Valve Supervisory Switch - Non-Rising Stem Gate Valves

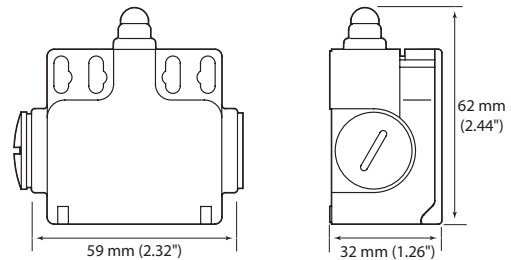
### ISU1ZW & BISU1ZWL

#### Technical Features

- **Enclosure :** Cover - PC (UL-94 V0)  
Base - PA 6 (UL-94 V0)
- **Actuator :** DIN EN50047 Type B
- **Switch Contacts :** Two contact sets of switch contacts,  
1 normally closed / 1 normally open.  
10.0 A @ 500VAC.
- **Conduit Entrance :**  
ISU1ZW : Cable entry M20 x 1,5  
BISU1ZWL : 2 Cable entries M16 x 1,5
- **Environmental Specifications :** Protection Class IP65;  
Temperature Range : -30°C (-22°F) to 80°C (176°F).  
(Not for use in hazardous locations)



Model ISU1ZW



Model BISU1ZWL



#### Valve Supervisory Switch - NRS Valves Physical Data

Reference	LED	SPDT Contact Set(s)	Weight (kg/lbs)
ISU1ZW	NO	2	0,06 / 0.13
BISU1ZWL	YES	2	0,08 / 0.18

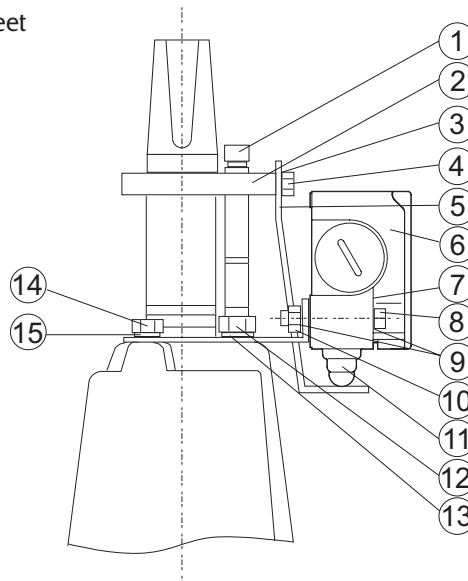
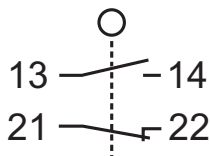
#### Valve Supervisory Switch - Non-Rising Stem Valves

#### Application Data

These diagrams illustrate the various methods for attaching the device to the valve. Refer to the manufacturer's datasheet for detailed mounting instructions.

#### Wiring Diagram

Terminals numbered according to DIN EN50013.



Item	Description
1	Pin
2	Indicator Nut
3	Washer
4	Bolt
5	Long Indicator Level
6	Valve Supervisory Switch
7	Angle Hinge
8	Bolt
9	Washer
10	Nut
11	Contact
12	Counter Nut
13	Washer
14	Bolt
15	Washer