



Pressure Supervisory Switch

PS100

Technical Features

- **Dimensions** : 96mm (3.78") Width x 81mm (3.20") Depth x 107mm (4.22") Height
- **Enclosure** : Cover - Die-cast with textured red powdercoat finish
Base - Plated Steel
- **Pressure connection** : Nylon 1/2" NPT male
- **Switch Contacts** : Available with two sets of Single Pole Double Throw (SPDT) Form C switch contacts.
10.1 A @ 125/250VAC and 2.0 A @ 30VDC
- **Conduit Entrance** : Two DN15/1/2" conduit knockouts provided
Requires NEMA Type 4 conduit hub for outdoor installations.
- **Pressure Range** : 1.7 to 12.1 bar (25 to 175 psi)
- **Environmental Specifications** : Indoor or outdoor use ;
Temperature Range : -40°C (-40°F) to 60°C (140°F) ; NEMA 4/
IP45 Rated Enclosure - when used with proper conduit fittings.
(Not for use in hazardous locations)
- **Tamper Protection** : Cover incorporates a tamper resistant fastener that requires a special key for removal (reference : VSR-FKEY). One key is supplied with each device. A field installable cover tamper switch is available as an option which may be used to indicate unauthorized removal of cover.



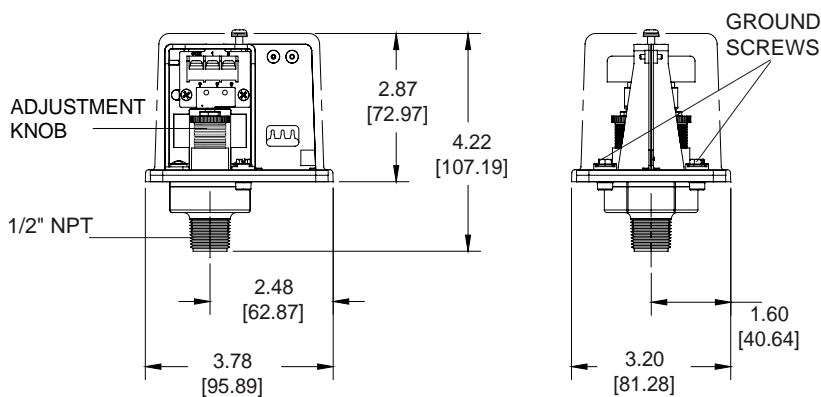
Pressure Supervisory Switch - PS100

Physical Data

Reference	Max. Pressure (bar/psi)	SPDT Contact Set(s)	Operates on Pressure ¹		Max. Differential Pressure (bar/psi)	Thread Size
			Increase (bar/psi)	Decrease (bar/psi)		
PS1002A	17.2 / 250	1	- / -	2.1 / 30	0.14 to 0.55 / 2 to 8	1/2" NPT male

¹ Indicates factory settings. Adjustable range is 1.7 to 12.1 bar (25 to 175 psi)

DIMENSIONS



TYPICAL CONNECTIONS

