



Pressure Supervisory Switch

PS120

Technical Features

- **Dimensions :** 96mm (3.78") Width x 81 mm (3.20") Depth x 107mm (4.22") Height
- **Enclosure :**
Cover - Die-cast with textured red powdercoat finish
Base - Plated Steel
- **Pressure connection :** Nylon 1/2" NPT male
- **Switch Contacts :** Available with one or two contact sets of Single Pole Double Throw (SPDT) Form C switch contacts. 10.1 A @ 125/250VAC and 2.0 A @ 30VDC
- **Conduit Entrance :** Two DN15/1/2" conduit knockouts provided. Requires NEMA Type 4 conduit hub for outdoor installations.
- **Pressure range :** 1.7 to 12.1 bar (25 to 175 psi)
- **Environmental Specifications :** Indoor or outdoor use ; Temperature Range : -40°C (-40°F) to 60°C (140°F) ; NEMA 4/ IP45 Rated Enclosure - when used with proper conduit fittings. (Not for use in hazardous locations)
- **Tamper Protection :** Cover incorporates a tamper resistant fastener that requires a special key for removal (reference : VSR-FKEY). One key is supplied with each device. A field installable cover tamper switch is available as an option which may be used to indicate unauthorized removal of cover.



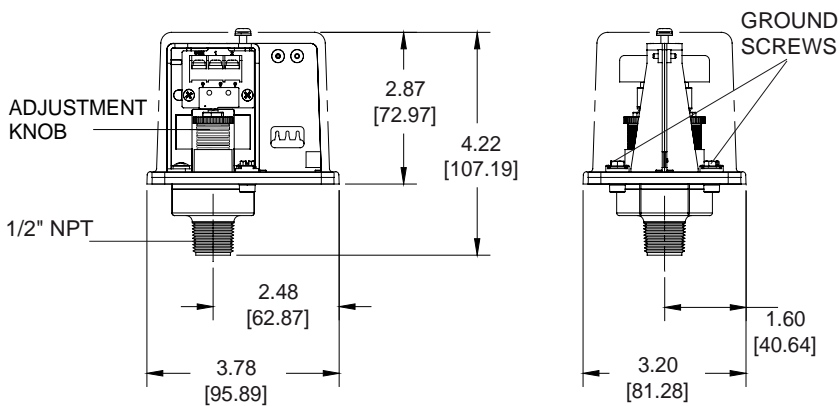
Pressure Supervisory Switch - PS120

Physical Data

Reference	Max. Pressure (bar/psi)	SPDT Contact Set(s)	Operates on Pressure ¹		Max. Differential Pressure (bar/psi)	Thread Size
			Increase (bar/psi)	Decrease (bar/psi)		
PS1201A	17.2 / 250	1	- / -	7.6 / 110	0.55 to 0.35 / 2 to 8	1/2" NPT male
PS1202A	17.2 / 250	2	9.0 / 130	7.6 / 110	0.55 to 0.35 / 2 to 8	1/2" NPT male

¹ Indicates factory settings. Adjustable range is 1.7 to 12.1 bar (25 to 175 psi)

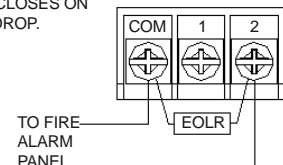
DIMENSIONS



TYPICAL CONNECTIONS

WITH NORMAL SYSTEM PRESSURE APPLIED LOW - TERMINAL 2 CLOSURE ON PRESSURE DROP.

PS120-1



PS120-2

WITH NORMAL SYSTEM PRESSURE APPLIED HIGH - TERMINAL 1 WILL CLOSE ON PRESSURE INCREASE

