



Pressure Supervisory Switch

PS40

Technical Features

- **Dimensions** : 96mm (3.78") Width x 81mm (3.20") Depth x 107mm (4.22") Height
- **Enclosure** :
Cover - Die-cast with textured red powdercoat finish
Base - Plated Steel
- **Pressure connection** : Nylon 1/2" NPT male
- **Switch Contacts** : Available with one or two contact sets of Single Pole Double Throw (SPDT) Form C switch contacts. 10.1 A @ 125/250VAC and 2.0 A @ 30VDC
- **Conduit Entrance** : Two DN15/1/2" conduit knockouts provided. Requires NEMA Type 4 conduit hub for outdoor installations.
- **Pressure Range** : 0.7 to 4.1 bar (10 to 60 psi)
- **Environmental Specifications** : Indoor or outdoor use ; Temperature Range : -40°C (-40°F) to 60°C (140°F) ; NEMA 4/ IP45 Rated Enclosure - when used with proper conduit fittings. (Not for use in hazardous locations)
- **Tamper Protection** : Cover incorporates a tamper resistant fastener that requires a special key for removal (reference : VSR-FKEY). One key is supplied with each device. A field installable cover tamper switch is available as an option which may be used to indicate unauthorized removal of cover.



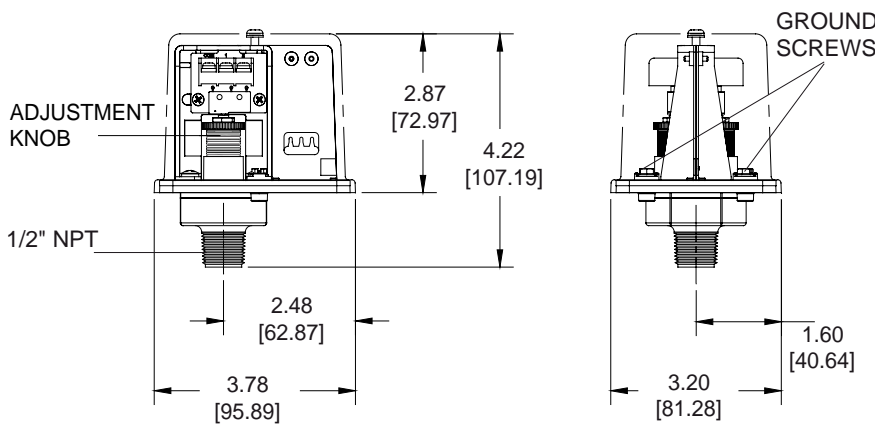
Pressure Supervisory Switch - PS40

Physical Data

Reference	Max. Pressure (bar/psi)	SPDT Contact Set(s)	Operates on Pressure ¹		Max. Differential Pressure (bar/psi)	Thread Size
			Increase (bar/psi)	Decrease (bar/psi)		
PS401A	21.0 / 300	1	- / -	2.1 / 30	0.07 to 0.28 / 1 to 4	1/2" NPT male
PS402A	21.0 / 300	2	3.5 / 50	2.1 / 30	0.07 to 0.28 / 1 to 4	1/2" NPT male

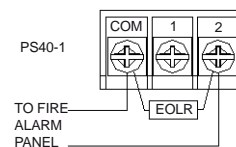
¹ Indicates factory settings. Adjustable range is 0.7 to 4.1 bar (10 to 60 psi)

DIMENSIONS



TYPICAL CONNECTIONS

WITH NORMAL SYSTEM PRESSURE APPLIED LOW - TERMINAL 2 CLOSES ON PRESSURE DROP.



TO FIRE ALARM PANEL

WITH NORMAL PRESSURE APPLIED HIGH - TERMINAL 1 WILL CLOSE ON PRESSURE INCREASE

