



Pressure Supervisory Switch PS40EX & PS40EXF (Explosion Proof)

Technical Features

- **Dimensions** : 152mm (6") Ø x 178mm (7") Height
- **Enclosure** : Cast aluminum
- **Pressure connection** : 1/2" NPT male Brass Fitting
- **Switch Contacts** : Two sets of Single Pole Double Throw (SPDT) Form C switch contacts.
15.0 A @ 125/250 VAC and 2.0 A @ 30 VDC.
- **Conduit Entrance** : Requires NEMA Type 4 conduit hub for outdoor installations. Two conduit entrances provided for DN15/1/2" conduit.
- **Environmental Specifications**: Temperature Range : -40°C (-40°F) to 60°C (140°F) ; NEMA 4 and 9 Rated Enclosure - when used with proper conduit fittings.
Reference 10379 is for use in hazardous locations classified EExdIIBT6 (IP66) according to European norms (ATEX).
Reference 10380 is for use in hazardous locations classified as :
Class I: Groups B, C, D, Div. 1
Class II: Groups E, F, G, Div. 1
Class III: Div. 1
NEMA 4 and 9 Rated Enclosure when used with proper conduit fittings
Temperature Range : -40°C (-40°F) to 60°C (140°F)



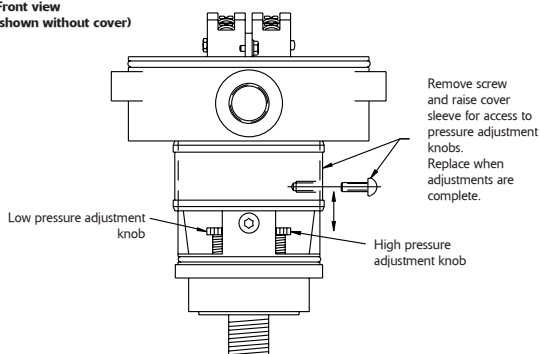
Pressure Supervisory Switch - PS40EX & PS40EXF (Explosion Proof)

Physical Data

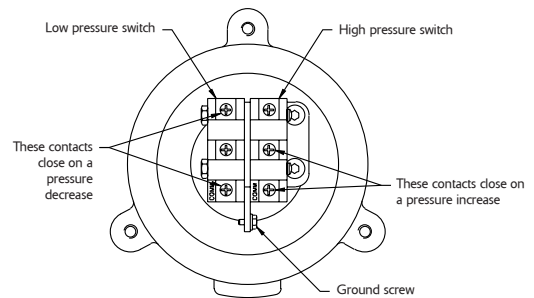
Reference	Max. Pressure (bar/psi)	SPDT Contact Set(s)	Operates on Pressure ¹		Max. Differential Pressure (bar/psi)	Thread Size	Approvals
			Increase @ (bar/psi)	Decrease @ (bar/psi)			
10380	17.2 / 250	2	3.5 / 50	2.1 / 30	0.14 to 0.35 / 2 to 5	1/2" NPT	
10379	17.2 / 250	2	3.5 / 50	2.1 / 30	0.14 to 0.35 / 2 to 5	1/2" NPT	

¹ Indicates factory settings. Adjustable range is 0.7 to 12.1 bar (10 to 175 psi)

Front view (shown without cover)



Top view (shown without cover)



Caution and Notes :

When this device is to be installed in an area that is classified as "Hazardous", the person responsible for safety in the area should be contacted to determine if the tools and operations required for the installation of the device and associated components are permitted in the area. To reduce the risk of ignition of hazardous atmospheres, disconnect supply circuits before opening enclosure. Keep cover tightly closed when in

operation. Cover screws must be torqued to a minimum of 2.26 Nm (20 in. lbs).

Cover incorporates tamper resistant fasteners that require a special key for removal (reference: 10600). One key is supplied with each device. To adjust pressure settings use the special pressure adjustment access key (reference: 10600)