



Valve Supervisory Switch - Non-Rising Stem Gate Valves

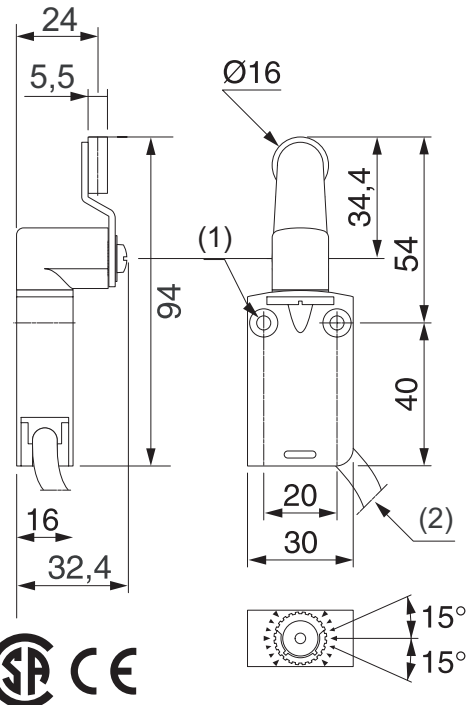
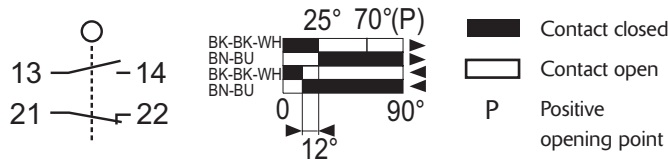
XCMD2115L1

Technical Features

- Enclosure : Body Material - Metal
- Actuator : DIN EN50047 Type B
- Switch Contacts : 2-Pole N/C + N/O Snap Action
- Cable Entry : Pre Cabled Body
- Environmental Specifications :
Protection Class IP66 - IP67;
Temperature Range : -25°C (-°F) to 70°C (°F).
- Features : Supplied with hex-socket screws, nuts and washers for attachment to indicator plate.

Wiring Diagram

Terminals numbered according to DIN EN50013.



Valve Supervisory Switch - NRS Valves Physical Data

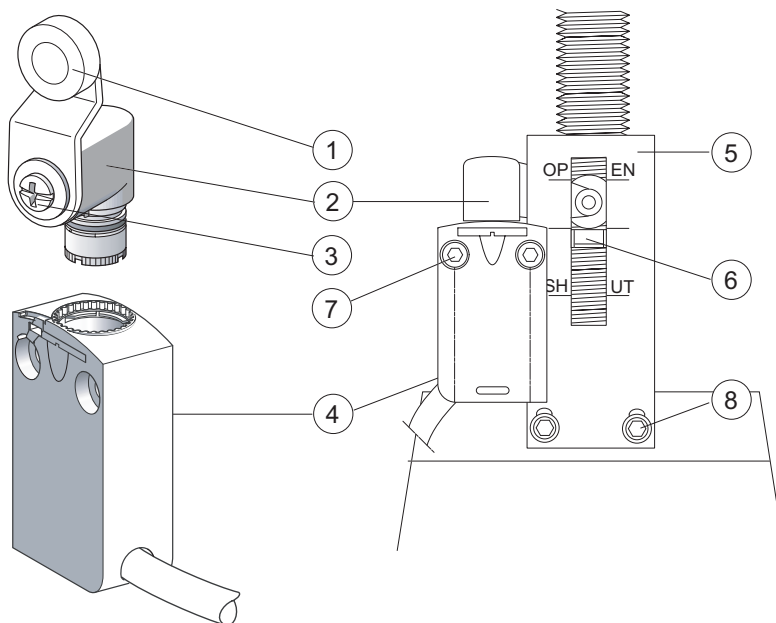
GENELEC

Reference	Weight (kg/lbs)
XCMD2115L1	0,205 / 0.452

- (1) 2 fixing holes Ø 4.2 mm, counterbored Ø 8 mm by 4 mm deep.
(2) Overall diameter of cable 7.5 mm.
e: 8 mm max, panel cut-out Ø 12.5 mm.
f: 8 mm max, panel cut-out Ø 16.5 mm.

Valve Supervisory Switch - Non-Rising Stem Valves - XCMD2115L1

Application Data



Item	Description
1	Thermoplastic Roller Lever, track 24/40mm
2	Rotary Actuator
3	Fixing Screw for Lever
4	Limit Switch
5	Indicator Plate (Not Included)
6	Level Indicator (Not Included)
7	Hex Socket Bolt, Washer and Nut (x2)
8	Hex Socket Bolt and Washer (x2) (Not Included)