

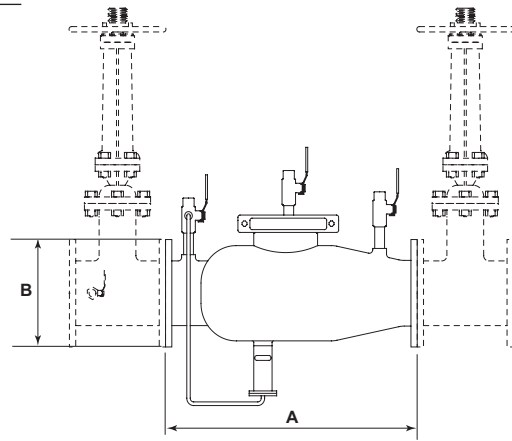
Reduced Pressure Backflow Preventors

4000SS

Technical Features

- **Sizes available (Nominal) :** DN65/2½", DN80/3", DN100/4", DN125/5", DN150/6", DN200/8", and DN250/10".
- **Pressure data :**
Maximum Working pressure : 12 bar (175 psi).
- **Temperature Range :** 5°C-43°C (33°F-110°F).
- **Connections :** Flange diameter and thickness according to AWWA Class D. Flange drilling designed to fit ANSI B161 Class 125 Flange.

1 - OS&Y only



Note: Gate Valves are shown for clarity and are not included.

Backflow Preventors

Reduced Pressure Backflow Preventors - 4000SS

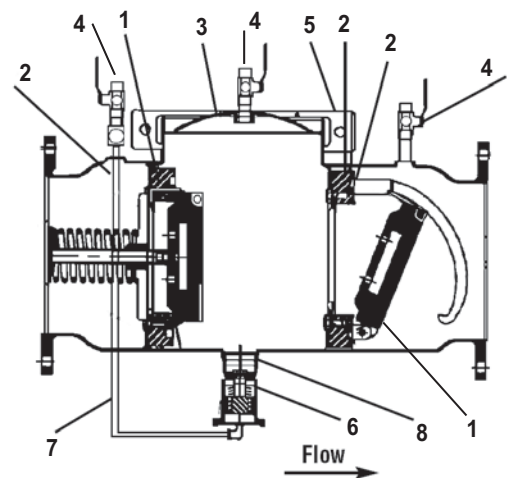
Physical Data

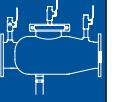
Nominal Pipe Size		Dimensions (mm / inch)		Reference (Does not include gate valves)		Weights (kg. / lbs.)
Metric	inch	B	A	Europe	N. America / Asia	
DN65	2½"	178 / 7	559 / 22	4000SS0250	4000SSLG-0250	27 / 60
DN80	3"	191 / 7½	559 / 22	4000SS0300	4000SSLG-0300	28 / 62
DN100	4"	229 / 9	559 / 22	4000SS0400	4000SSLG-0400	30 / 65
DN150	6"	279 / 11	699 / 27½	4000SS0600	4000SSLG-0600	50 / 110
DN200	8"	343 / 13½	749 / 29½	4000SS0800	4000SSLG-0800	81 / 179
DN250	10"	406 / 16	749 / 29½	4000SS1000	4000SSLG-1000	86 / 189

R/Pressure B/Flow Preventors - 4000SS Materials

Item	Part	Material
1	Cam-Check	Thermoplastic Noryl®
2	Cam-Check O-Ring	Commercial
3	Cover Plate	Stainless Steel
4	Ball Valve	
5	Grooved Coupling	Ductile Iron & Gasket
6	Relief Valve	
7	Relief Valve Hose	
8	Relief Valve Body O-Ring	

Notes: The installation of a drain line is recommended. When installing a drain line, an air gap is necessary, The 4000SS should be installed with a minimum clearance of 12" between the lowest point of the assembly and the floor drain or grade and is not recommended for pit installations.





Reduced Pressure Backflow Preventors

4000SS

Capacity

Series 4000SS performance as established by an independent testing laboratory (1996 UL). UL certified flow characteristics. Documented flow characteristics (including shut-off valves).

* UL Rated ** UL Tested

