



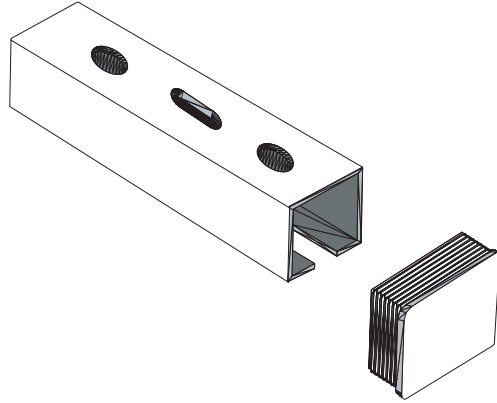
## Plastic Safety End Cap

ADK

Pipe Support

### Technical Features

- **Sizes:** To fit C-Channel : 27/18, 27/30, 30/15, 34/20, 35/35 and 38/40  
To fit Cantilever C-E0 27/18 and Strut Channel 41/41
- **Material :** Black Plastic



### Plastic Safety End Cap - ADK

Physical Data

Compatible Rail Section	Section Dimensions (mm)	Box Qty.	Weight (x1) (kg / lbs)	Reference
C-Channel	27 x 18	100	0,001 / 0.002	313301
C-Channel	27 x 30	100	0,003 / 0.007	313302
C-Channel	30 x 15	100	0,003 / 0.007	585380
C-Channel	34 x 20	100	0,003 / 0.007	313304
C-Channel	35 x 35	100	0,008 / 0.018	585400
C-Channel	38 x 40	100	0,010 / 0.022	313303
Strut-Channel	41 x 41	100	0,010 / 0.022	313305