

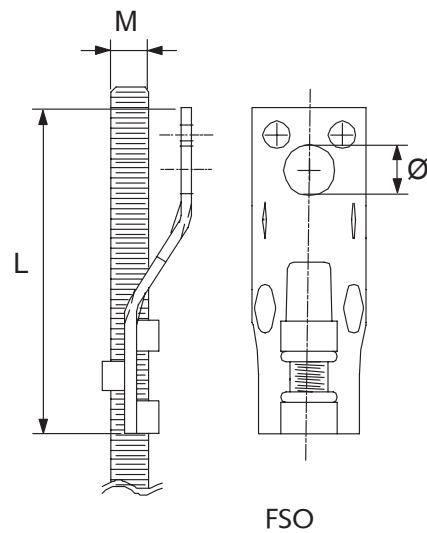
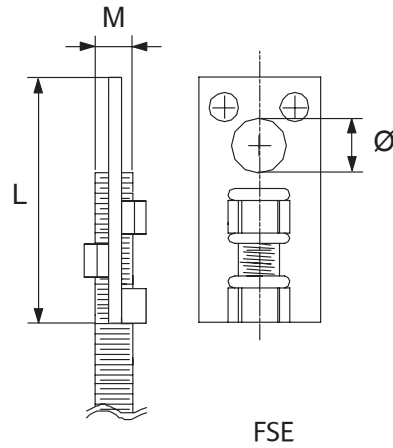


Rod Connectors

FSE & FSO

Technical Features

- **Sizes:** M10 and M12
- **Material :** Carbon steel
- **Finish :** Electro Zinc Plated
- **Specification :** For Threaded Rod.
Straight (FSE) and Angled (FSO) versions.



Rod Connectors - FSE & FSO

Physical Data

Reference	Screw Size (M)	Dimensions (mm)		Box Qty.	Weight (x1) (kg / lbs)
		L	Ø		
598300	M10	47,5	10,3	250	0,02 / 0.04
598310	M12	70,0	13,5	100	0,09 / 0.35
598290	M10	79,0	12,7	250	0,04 / 0.20