

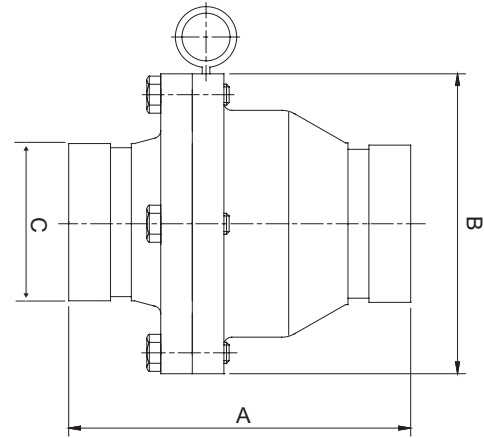


Double Door Check Valve (Grooved)

DCG20

Technical Features

- **Sizes available (Nominal) :** DN65/2 1/2", DN80/3", DN100/4", DN125/5", DN150/6", DN200/2", DN250/10" and DN300/12".
- **Pressure data :**
Nominal pressure : 20 bar (290 psi).
Shell Test Pressure : 30 bar (435 psi).
Seat Test Pressure : 22 bar (319 psi).
- **Finish :** Red oxide approved for water use.
- **Connections :** Grooved joint dimensions are made in accordance with ANSI/AWWA C606 (Ductile iron pipe and steel pipe) and metric pipe specifications.



Check Valves

Double Door Check Valve (Grooved) - DCG20

Physical Data

Nominal Size		Dimensions (mm / inch)		Pipe O.D. (C) (mm / inch)	Reference	Weight (kg / lbs)
Metric	inch	A	B			
DN65	2 1/2"	140 / 5.5	178 / 7.0	73.0 / 2.86	DCG20-0250	14.5 / 32.0
DN65	2 1/2"	140 / 5.5	178 / 7.0	76.1 / 3.00	DCG20-0250-076	14.5 / 32.0
DN80	3"	150 / 6.0	191 / 7.5	88.9 / 3.50	DCG20-0300	17.2 / 37.9
DN100	4"	197 / 7.8	229 / 9.0	114.3 / 4.50	DCG20-0400	21.3 / 47.0
DN125	5"	211 / 8.3	254 / 10.0	139.7 / 5.50	DCG20-0500-139	30.8 / 67.9
DN125	5"	211 / 8.3	254 / 10.0	141.3 / 5.56	DCG20-0500	30.8 / 67.9
DN150	6"	211 / 8.3	279 / 11.0	165.1 / 6.50	DCG20-0600-165	38.6 / 85.1
DN150	6"	211 / 8.3	279 / 11.0	168.3 / 6.63	DCG20-0600	38.6 / 85.1
DN200	8"	232 / 9.1	356 / 14.0	219.1 / 8.63	DCG20-0800	49.0 / 108.0
DN250	10"	260 / 10.3	406 / 16.0	273.0 / 10.75	DCG20-1000	59.0 / 130.1
DN300	12"	305 / 12.0	457 / 18.0	323.9 / 12.75	DCG20-1200	79.5 / 175.3

Double Door Check Valve (Grooved) - DCG20 Materials List

Item	Description	Material	Specification	
1	Housing	Ductile Iron	BS 2789 Gr. 500/7	ASTM A536 70-50-05
2	Hex Bolt	Carbon Steel		ASTM A307B
3	Washer	Carbon Steel		ASTM A307B
4	O-Ring	EPDM		Commercial
5	Seat	EPDM		Commercial
6	Shaft	Stainless Steel	BS 970 416 S21	AISI 410
7	Lifting Hook**	Carbon Steel		ASTM A307B
8	Spring	Stainless Steel	BS 970 416 S21	AISI 410
9	Disc	Stainless Steel	BS 1507 S316 C16	ASTM A351 CF8M
10	Lifting Hook**	Carbon Steel		ASTM A307B

** Lifting Hook on DN125/5", DN150/6", DN200/8", DN250/10" and DN300/12" valve sizes only

