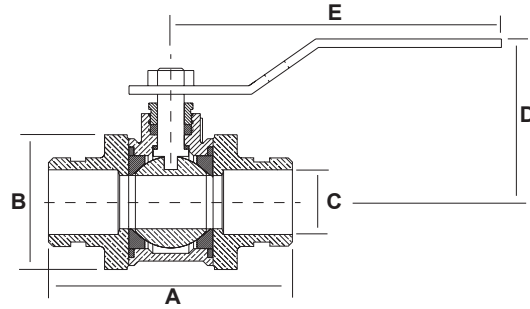


Foam Concentrate Shut-Off Valve (Grooved) Full Port G595Y66

Technical Features

- **Sizes available (Nominal) :** DN40/1 1/2", DN50/2" and DN65/2 1/2".
- **Pressure data :**
Working pressure (water) : 41.4 bar (600 psi).
- **Finish :** Cast Bronze.
- **Connections :** Grooved joint dimensions are made in accordance with ANSI/AWWA C606 (ductile iron pipe and steel pipe).
- **Specification :** ASTM A-276 Type 316 Stainless Steel Stem and Ball recommended for use with all foam concentrates.



Concentrate Valves

Foam Concentrate Shut-Off Valve (Grooved) Full Port- G595Y66

Physical Data

Nominal Pipe Size		Pipe O.D. (mm / inch)	Dimensions (mm / inch)					Reference		Weight (kg/lbs)
Metric	inch		A	B	C	D	E	Europe	America/Asia	
DN40	1 1/2	48.3 / 1.90	149 / 5.87	76 / 3.00	38 / 1.50	75 / 2.97	170 / 6.69	G595Y66150	G595Y66-0150	2.73 / 6.02
DN50	2	60.3 / 2.38	169 / 6.64	102 / 4.00	51 / 2.00	92 / 3.63	170 / 6.69	G595Y66200	G595Y66-0200	4.76 / 10.48
DN65	2 1/2	73.0 / 2.86	198 / 7.78	127 / 5.00	64 / 2.50	104 / 4.09	203 / 8.00	G595Y66250	G595Y66-0250	8.30 / 13.30

G595Y66

Materials List

Item	Description	Material	Specification
1	Handle Nut	Stainless Steel	300 Series
2	Handle	Zinc Dichromate Plated Steel, Plastisol Coated	
3	Packing Nut	Brass	ASTM B-16 Alloy C36000
4	Stem	Stainless Steel	ASTM A-276 Type 316
5	Body	Bronze	ASTM B-584 Alloy C84400
6	Packing	TFE	
7	Body Ends	Cast Bronze	ASTM B-584 Alloy C84400
8	O-Ring Seal (2)	Fluorcarbon Rubber	
9	Seat Ring (2)	TFE	
10	Ball (Vented)	Stainless Steel	ASTM A-276 Type 316 or ASTM A-351 Type CF8M
11	Thrust Washer	Reinforced TFE	
12	Body Bolts	Zinc Dichromate Plated Steel	ASTM A-449 Grade 5
13	Body Nuts	Zinc Dichromate Plated Steel	ASTM A-449 Grade 5

