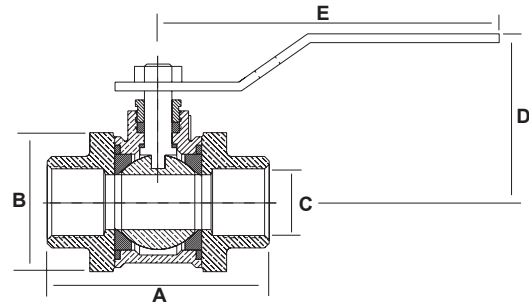


## Foam Concentrate Shut-Off Valve (Threaded) Full Port

### T595Y66

#### Technical Features

- **Sizes available (Nominal) :** DN15/1/2", DN20/3/4", DN25/1", DN32/1 1/4", DN40/1 1/2", DN50/2" and DN65/2 1/2".
- **Pressure data :**  
Working pressure (water) : 41.4 bar (600 psi).
- **Finish :** Cast Bronze.
- **Connections :** Female threaded NPT inlet and outlet.
- **Specifications :** ASTM A-276 Type 316 Stainless Steel Stem and Ball recommended for use with all foam concentrates.



#### Foam Concentrate Shut-Off Valve (Threaded) Full Port - T595Y66

Physical Data

Nominal Pipe Size		Dimensions (mm / inch)					Reference		Weight
Metric	inch	A	B	C	D	E	Europe	America/Asia	kg/lbs.
DN15	1/2"	63.5 / 2.50	46.0 / 1.81	12.7 / 0.50	42.9 / 1.69	99.3 / 3.91	T595Y66050	T595Y66-0050	0.45 / 1.0
DN20	3/4"	76.2 / 3.00	49.3 / 1.94	19.0 / 0.75	50.8 / 2.00	118.4 / 4.66	T595Y66075	T595Y66-0075	0.77 / 1.7
DN25	1"	93.7 / 3.69	63.5 / 2.50	25.4 / 1.00	57.1 / 2.25	118.4 / 4.66	T595Y66100	T595Y66-0100	1.22 / 2.7
DN32	1 1/4"	103.9 / 4.09	68.3 / 2.69	31.8 / 1.25	69.8 / 2.75	169.9 / 6.69	T595Y66125	T595Y66-0125	1.72 / 3.8
DN40	1 1/2"	115.8 / 4.56	72.2 / 3.00	38.1 / 1.50	75.4 / 2.97	169.9 / 6.69	T595Y66150	T595Y66-0150	2.40 / 5.3
DN50	2"	156.5 / 6.16	101.6 / 4.00	50.8 / 2.00	92.2 / 3.63	169.9 / 6.69	T595Y66200	T595Y66-0200	4.76 / 10.5
DN65	2 1/2"	173.7 / 6.84	127.0 / 5.00	63.5 / 2.50	103.9 / 4.09	203.2 / 8.00	T595Y66250	T595Y66-0250	8.90 / 19.6

#### T595Y66

#### Materials List

Item	Description	Material	Specification
1	Handle Nut	Stainless Steel	300 Series
2	Handle	Zinc Dichromate Plated Steel, Plastisol Coated	
3	Packing Nut	Brass	ASTM B-16 Alloy 360
4	Stem	Stainless Steel	ASTM A-276 Type 316
5	Body	Bronze	ASTM B-584 Alloy 844
6	Packing	TFE	
7	Body Ends	Cast Bronze	ASTM B-584 Alloy 844
8	O-Ring Seal (2)	Fluorcarbon Rubber	
9	Seat Ring (2)	TFE	
10	Ball	Stainless Steel	ASTM A-276 Type 316
11	Ground Washer	Stainless Steel	ASTM A-167 Type 304
12	Thrust Washer	Reinforced TFE	
13	Body Bolts	Zinc Dichromate Plated Steel	ASTM A-449 Grade 5
14	Body Nuts	Zinc Dichromate Plated Steel	ASTM A-449 Grade 5

