



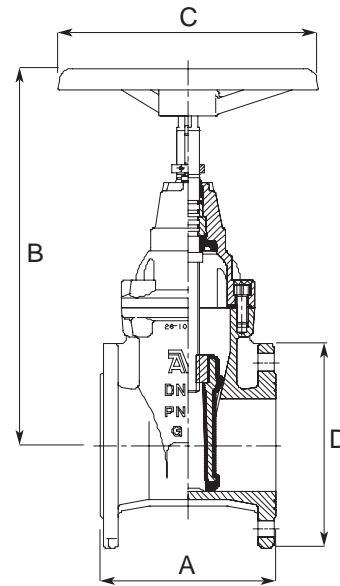
## Non-Rising Stem (NRS) Gate Valve

06/35

### Technical Features

- **Sizes available (Nominal) :** DN50/2", DN65/2 1/2", DN80/3", DN100/4", DN125/5", DN150/6", DN200/8", DN250/10" and DN300/12".
- **Pressure data :**  
Tested to DIN3230 part 4.
- **Seat type :** Resilient wedge.
- **Finish :** Fusion bonded epoxy inside and outside.
- **Connections :** Flange and drilling to DIN2501 PN10 and PN16.
- **Specifications :** Conforms to DIN3352 part 4. Includes position indicator.
- **Optional items :**  
Supervisory switch with LED = Reference BISU1ZWL  
Supervisory switch without LED = Reference ISU1ZW

VdS



Control Valves

### Non-Rising Stem (NRS) Gate Valve - 06/35

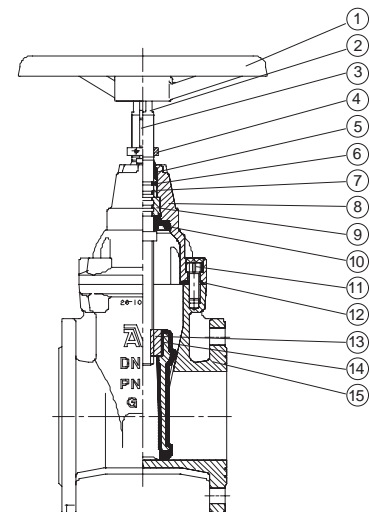
Physical Data

Nominal Pipe Size		Flange Type and Drilling	Dimensions (mm / inch)				Reference	Weight (kg/lb)
Metric	inch		A	B	C	D		
DN50	2"	DIN 2501 PN10/16	150 / 5.9	329 / 13.0	180 / 7.1	165 / 6.5	635050	11.5 / 25.4
DN65	2 1/2"	DIN 2501 PN10/16	170 / 6.7	355 / 14.0	225 / 8.6	185 / 7.3	635065	12.5 / 27.6
DN80	3"	DIN 2501 PN10/16	180 / 7.1	382 / 15.0	225 / 8.6	200 / 7.9	635080	16.0 / 35.3
DN100	4"	DIN 2501 PN10/16	190 / 7.5	414 / 16.3	280 / 11.0	220 / 8.7	635100	20.0 / 44.1
DN125	5"	DIN 2501 PN10/16	200 / 7.9	461 / 18.1	320 / 12.6	250 / 9.8	635125	26.5 / 58.4
DN150	6"	DIN 2501 PN10/16	210 / 8.3	540 / 21.3	320 / 12.6	285 / 11.2	635150	35.5 / 78.3
DN200	8"	DIN 2501 PN10	230 / 9.1	688 / 27.1	360 / 14.2	340 / 13.4	635200PN10	50.5 / 111.3
DN200	8"	DIN 2501 PN16	230 / 9.1	688 / 27.1	360 / 14.2	340 / 13.4	635200PN16	71.0 / 156.5
DN250	10"	DIN 2501 PN10	250 / 9.8	780 / 30.7	500 / 19.7	400 / 15.7	635250PN10	113.0 / 249.1
DN250	10"	DIN 2501 PN16	250 / 9.8	780 / 30.7	500 / 19.7	400 / 15.7	635250PN16	113.0 / 249.1
DN300	12"	DIN 2501 PN10	270 / 10.6	855 / 33.7	500 / 19.7	455 / 17.9	635300PN10	160.0 / 352.7
DN300	12"	DIN 2501 PN16	270 / 10.6	855 / 33.7	500 / 19.7	455 / 17.9	635300PN16	160.0 / 352.7

### Non-Rising Stem (NRS) Gate Valve - 06/35

Materials List

Item	Description	Material	Specification	
1	Handwheel	Cast Iron	BS1452 Gr.220/250	DIN1691 GGG-25
2	Stem	Stainless Steel		DIN X 20 Cr.13
3	Pin	Stainless Steel		DIN X 12 CrNiS 18.8
4	Indicator Nut	Brass		Cu Zn 39 Pb 3
5, 6	Wiper Ring, O-ring	NBR Rubber		
7	Bearing	Plastic		
8	Bonnet	Ductile Iron	BS 2789 Gr.500/7	DIN 1693 GGG-50
9	Thrust Collar	Brass	BS2874 CZ132	
10	Manchette	EPDM Rubber		
11	Bonnet Bolts	Stainless Steel		A2
12	Bonnet Gasket	EPDM Rubber		
13	Wedge Nut	Brass	BS2874 CZ132	
14	Wedge Disc	Ductile Iron EPDM encap.	BS2789 Gr.500/7	DIN1693 GGG-50
15	Body	Ductile Iron	BS2789 Gr.500/7	DIN1693 GGG-50



Worldwide Fire Protection

www.vikinggroupinc.com