

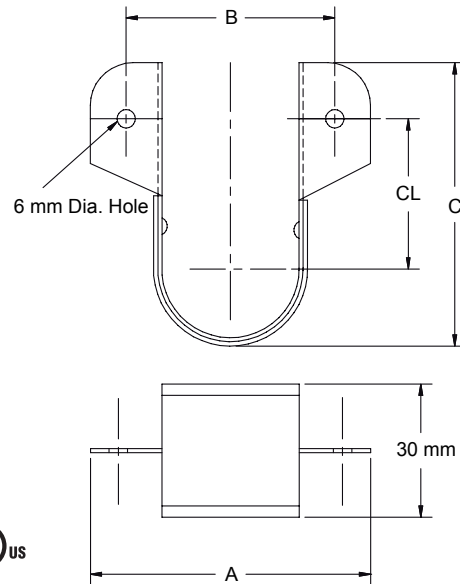


Side Mount Strap for CPVC Pipe

109

Technical Features

- Available for pipe sizes (Nominal) : DN20^{3/4"}, DN25^{1"}, DN32^{1 1/4"}, DN40^{1 1/2"}, DN50^{2"}.
- Material : Carbon steel
- Finish : Electro-zinc plated.
- Features : Supports CPVC pipe horizontally from top or bottom of beam. Retainer dimples secure hanger to pipe during installation. Flared edges protect the CPVC piping. Comply with the static load requirements of NFPA® 13



Side Mount Strap for CPVC Pipe - 109

Physical Data

Nominal Pipe Size		Dimensions (mm)				Max. Hanger Spacing (m)	Box Quantity	Box Weight (kg)	Reference
Metric	inch	A	B	C	CL				
DN20	^{3/4"}	58,7	42,9	63,5	47,0	1,70	100	4,1	597827
DN25	1"	66,7	49,2	69,9	51,0	1,80	100	4,1	597828
DN32	1 1/4"	74,4	58,7	76,7	54,6	2,00	100	5,0	597829
DN40	1 1/2"	81,0	63,5	84,1	57,2	2,10	100	5,5	597831
DN50	2"	92,1	76,2	96,5	63,5	2,40	100	6,8	597832

Notes

This product is intended to perform as hanger/restrainer to support CPVC piping used in sprinkler systems. It can be installed on the top, bottom or side of a beam or structure (Figure 1). When using hex-head self-threading

screw, the use of a cordless drill fitted with a hex socket is recommended for installation. No impact tools (such as hammers) or impact fasteners (drive screws or nails) are permitted, as they could damage the CPVC pipe.

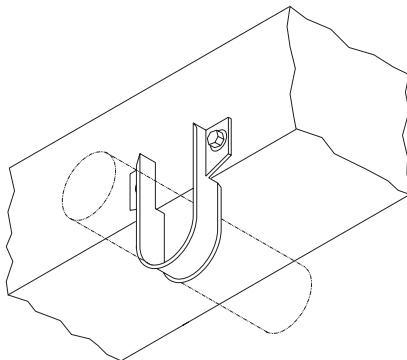


Figure 1

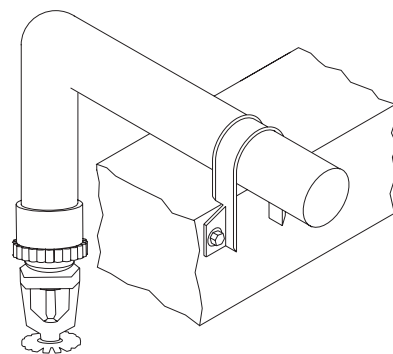


Figure 2