

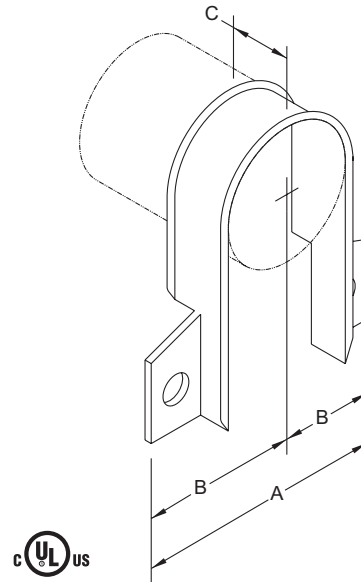


Hanger / Restrainer for CPVC Pipe

24

Technical Features

- Available for pipe sizes (Nominal) : DN20^{3/4"}, DN25^{1"}, DN32^{1 1/4"}, DN40^{1 1/2"}, DN50^{2"}.
- Material : Carbon steel
- Finish : Pre-galvanized
- Features : Flared edge design protects CPVC pipe from rough surfaces. Includes two 10 x 1" hex-head self-threading screws for attachment to wood surfaces.



Hanger / Restrainer for CPVC Pipe - 24

Physical Data

| Nominal Pipe Size | | Dimensions (mm / inch) | | | Max. Hanger Spacing (mt / ft) | Box Quantity | Box Weight (kg / lbs) | Fastener Hex Head Size (in) | Reference |
|-------------------|--------|------------------------|-------------|-------------|-------------------------------|--------------|-----------------------|-----------------------------|-----------|
| Metric | inch | A | B | C | | | | | |
| DN20 | 3/4" | 58,9 / 2.32 | 29,2 / 1.15 | 30,2 / 1.19 | 1,68 / 5.5' | 100 | 3,4 / 9.0 | 5/16" | 24-75 |
| DN25 | 1" | 65,3 / 2.57 | 33,5 / 1.32 | 30,2 / 1.19 | 1,83 / 6' | 100 | 3,4 / 9.0 | 5/16" | 24-0100 |
| DN32 | 1 1/4" | 76,2 / 3.00 | 38,1 / 1.50 | 30,2 / 1.19 | 1,98 / 6.5' | 100 | 4,1 / 11.0 | 5/16" | 24-0125 |
| DN40 | 1 1/2" | 82,5 / 3.25 | 39,9 / 1.57 | 30,2 / 1.19 | 2,13 / 7' | 100 | 4,5 / 12.0 | 5/16" | 24-0150 |
| DN50 | 2" | 84,6 / 3.33 | 48,8 / 1.92 | 30,2 / 1.19 | 2,44 / 8' | 100 | 5,6 / 15.0 | 5/16" | 24-0200 |

Notes

This product is intended to perform as hanger/restrainer to support CPVC piping used in sprinkler systems. It can be installed on the top, bottom or side of a beam or structure. (Figure 1) It can also act as a restrainer to prevent more than 6,1mm (3/16") upward movement of the sprinkler head when activated. The restrainer shall be located not more than 30.5cm (12") from the sprinkler head being

restrained (Figure 2). When using the accompanying hex-head self-threading screw, the use of a cordless drill fitted with a hex socket is recommended for installation. If other fasteners are used, they must equal or exceed the diameter of a #10 x 1" self-threading screw. No impact tools (such as hammers) or impact fasteners (drive screws or nails) are permitted, as they could damage the CPVC pipe.

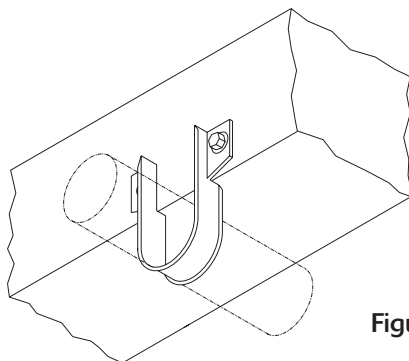


Figure 1

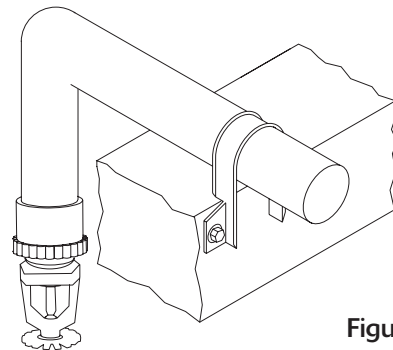


Figure 2