

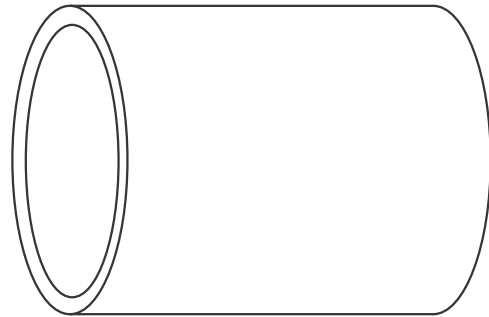


BlazeMaster® CPVC Pipe

CPVC Pipe & Fittings

Technical Features

- **Sizes Available (Nominal) :** 3/4" (DN20) through 3" (DN80) pipe diameters, with a Standard Dimension Ratio (SDR) of 13.5 as specified in ASTM F442.
- **Environmental Specifications :** Indoor use only. Maximum Ambient Temperature : 150°F (65°C)
- **Hazen-Williams C Value :** 150
- **Pressure Data :** Working Pressure : 175 PSI (12.1 bar) at 150°F (65°C)
- **Specifications :**
 - Meets NFPA 13, 13R and 13D standards for light hazard occupancies. Pipe meets or exceeds ASTM F442.
 - Approved for National Sanitation Foundation (NSF) potable water services
 - CPVC Pipe from Viking SupplyNet complies to NSF cell class 23547 (demonstrated highest structural properties).
 - Meets LPC Sprinkler Rules requirements



* LPCB Approved up to and including 2"

BlazeMaster® CPVC Pipe

Physical Data

Nominal Pipe Size		Actual Outside Diameter		Average I.D. (inch / mm)	Weight per 15' (4.6m) length (lb / kg)	Length (ft / m)	Approvals	Part Number
inch	metric	inch	mm					
3/4"	DN20	1.050	26,670	0.874 / 22,199	2.52 / 1,14	15 / 4,6	cULus, FM, LPCB*, WRAS, NSF	34PIPE
1"	DN25	1.315	33,401	1.101 / 27,965	3.93 / 1,78	15 / 4,6		1PIPE
1 1/4"	DN32	1.660	42,164	1.394 / 35,408	6.27 / 2,84	15 / 4,6		114PIPE
1 1/2"	DN40	1.900	48,260	1.598 / 40,589	8.22 / 3,73	15 / 4,6		112PIPE
2"	DN50	2.375	60,325	2.003 / 50,876	12.89 / 5,85	15 / 4,6		2PIPE
2 1/2"	DN65	2.875	73,000	2.423 / 61,500	18.86 / 8,55	15 / 4,6		212PIPE
3"	DN80	3.500	88,900	2.950 / 74,900	28.01 / 12,71	15 / 4,6		3PIPE
Nominal Pipe Size		Actual Outside Diameter		Average I.D. (inch / mm)	Weight per 10' (3,05m) length (lb / kg)	Length (ft / m)	Approvals	Part Number
inch	metric	inch	mm					
3/4"	DN20	1.050	26,670	0.874 / 22,199	1.68 / 0,76	10 / 3,05	cULus, FM, LPCB*, WRAS, NSF	34PIPE10
1"	DN25	1.315	33,401	1.101 / 27,965	2.62 / 1,19	10 / 3,05		1PIPE10
1 1/4"	DN32	1.660	42,164	1.394 / 35,408	4.18 / 1,90	10 / 3,05		114PIPE10
1 1/2"	DN40	1.900	48,260	1.598 / 40,589	5.48 / 2,49	10 / 3,05		112PIPE10
2"	DN50	2.375	60,325	2.003 / 50,876	8.59 / 3,90	10 / 3,05		2PIPE10
2 1/2"	DN65	2.875	73,000	2.423 / 61,500	12.57 / 5,70	10 / 3,05		212PIPE10
3"	DN80	3.500	88,900	2.950 / 74,900	18.67 / 8,47	10 / 3,05		3PIPE10

Note: CPVC Pipe is produced in SDR 13.5 Dimensions in accordance with ASTM F442. Standard Dimension Ratio is the ratio of the outside pipe diameter to the wall thickness of the pipe.

* Approved up to and including 2"

IMPORTANT: Installers should receive thorough hands-on training in the proper methods of assembly and installation of CPVC products. On-site training is available at no charge from Viking SupplyNet. Participants in the training program will receive a special card acknowledging their attendance. In addition to receiving proper training, installers must always consult the Manufacturer's Design and Installation Guide before any installation project is commenced.



BlazeMaster® CPVC Pipe

CPVC Pipe & Fittings

BlazeMaster® CPVC Pipe

Product Specifications

Corrosion resistance CPVC fire sprinkler pipe, when installed in strict accordance with the manufacturer's design and installation instructions, are UL and C-UL Listed by Underwriters Laboratories for use in the following:

- Light Hazard occupancies as defined in the Standard for Installation of Sprinkler Systems, NFPA 13.
- Residential occupancies up to and including four stories in height as defined by NFPA 13R.
- Residential occupancies as defined in the Standard for Sprinkler Systems in One and Two Family Dwellings, NFPA 13D.
- Installation of private fire service mains and their appurtenances, NFPA 24.

CPVC fire sprinkler pipe from Viking SupplyNet shall be employed in wet pipe systems only and are not listed for outdoor use. CPVC pipe must never be used in a system using compressed air or other gases.

CPVC pipe from Viking SupplyNet also carries the following enhanced listings and approvals:

- According to UL Listed (UL 1821)
 - Can be flush at return air plenums
 - Mechanical cut-in tee & crosses concealed with Grinnell figure 730 fittings
 - Mechanical cut-in tee & crosses exposed with Grinnell figure 730 fittings
 - Exposed system risers NFPA 13D, 13R
 - Exposed basement NFPA 13D (solid wood joist)
 - Extended coverage (exposed)
 - 20' spacing on pendent in lieu of 15'
 - 18' spacing on sidewall in lieu of 14'
 - Use with combustible concealed sprinklers
 - Tyco attic sprinkler head (to protect the floor below)
 - Tyco attic sprinkler head with wet system piping (feed main and ridge installation)
 - Exposed sidewall sprinkler Listing for exposed pipe & fittings
 - 24' extended coverage sidewall sprinkler, 12" drop, 155°F sprinkler head
 - 18' extended coverage sidewall sprinkler, 12" drop, 165°F sprinkler head
 - 16' extended coverage sidewall sprinkler, 12" drop, 175°F sprinkler head
 - 14' standard coverage sidewall sprinkler, 12" drop, 200°F sprinkler head
- Factory Mutual Approved*
 - Factory Mutual Approval exposed
 - Factory Mutual Approval above drop-in ceilings
 - Factory Mutual Approval exposed w/ Soffi-Steel soffiting covering system
- LPCB Approval
- WRAS Approval

The above data is based on UL and FM reported Listings and Approvals as of 11/30/05. New and enhanced listings and approvals are being pursued. Always check with the appropriate Listing and Approval agency for details on current listing parameters.

CPVC pipe also meets all applicable standards for pressure rated application as required in ANSI-NSF Standard 14 and complies with ANSI-NSF Standard 61 for health effects and are marked with the NSF-pw end us marking. Viking Plastics CPVC Pipe is manufactured from WRAS approved BlazeMaster® compound

All CPVC fire sprinkler pipe shall be Listed by Underwriters Laboratories for wet pipe systems, and shall carry a rated working pressure of 175 psi @ 150°F (12 bar @ 66°C). The FM Approval is limited to use in wet pipe fire protection sprinkler systems for light hazard occupancies in both concealed and exposed applications with certain restrictions.

Piping must always be installed in strict accordance to the manufacturer's System Design and Installation Manual, including product storage and handling, joining methods, supporting and bracing, expansion and contraction allowance and testing, etc. National Fire Protection Association (NFPA) Standards 13, 13D, and 13R or LPC Sprinkler Rules Technical Bulletins, must be referenced for design and installation requirements in conjunction with the installation instructions.

All CPVC fire sprinkler pipe from Viking SupplyNet is manufactured in the USA by an ISO 9001 certified manufacturer. All CPVC pipe shall be packaged immediately after its manufacture to prevent damage and shall be stored indoors after production, at the manufacturing site, until shipped from the factory. The pipe shall bear the logo of the listing agencies, and shall carry the National Sanitation Foundation (NSF) seal of approval for potable water applications.

CPVC products are intended for use in areas where the maximum ambient temperature does not exceed 150°F (66°C). If the ambient temperature is expected to exceed this limitation, refer to the manufacturer's System Design and Installation Manual for additional information on methods to reduce the pipe exposure temperatures. CPVC pipe is not intended to be installed in outdoor applications. CPVC pipe is intended to be used in wet pipe systems only and have not been investigated for use in dry pipe systems. Special installation and design criteria relative to pipe hanger spacings, piping and sprinkler restraint, sprinkler temperature rating, piping locations, testing procedures and friction loss characteristics are specified in the manufacturer's installation instructions provided with the pipe. The manufacturer's installation instructions should be reviewed and the Authority Having Jurisdiction consulted before installation.

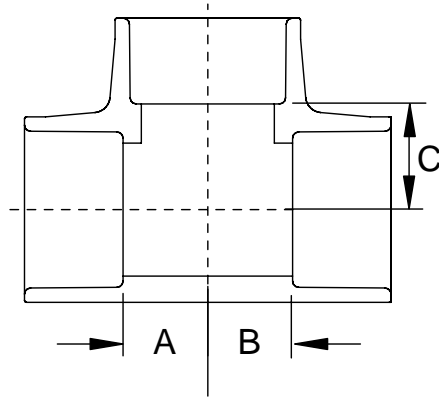


Reducing Tee

Socket x Socket x Socket

Technical Features

- **Sizes Available (Nominal)** : See table below.
- **Environmental Specifications** : Indoor use only.
Maximum Ambient Temperature : 150°F (65°C)
- **Pressure Data** : Working Pressure : 175 PSI (12.1 bar) at 150°F (65°C)
- **Specifications** : For use with listed CPVC fire sprinkler pipe produced in Standard Dimension Ratio (SDR) 13.5, as specified in ASTM F442.
CPVC Fire Sprinkler Fittings are produced in Schedule 40 and Schedule 80 dimensions for sizes 3/4" (DN20) through 1 1/4" (DN32) and in Schedule 80 for sizes 1 1/2" (DN40) through 3" (DN80), in accordance with ASTM F437 (Schedule 80 Threaded Fittings), ASTM F438 (Socket type Schedule 40) and ASTM F439 (Schedule 80 Fittings), as applicable.
These products are UL Listed and FM Approved for a rated working pressure of 175 psi (12.1 bar) at 150°F (65°C) for sprinkler service.
Approved for National Sanitation Foundation (NSF) potable water services and complies with WRAS requirements for cold water use.



* LPCB Approved up to and including 2"

Reducing Tee - Socket x Socket x Socket

Physical Data

Nominal Pipe Size		Dimensions (mm / inch)			Approx. Weight (lbs. / kgs.)	Part Number
inch	metric	A	B	C		
3/4" x 3/4" x 1"	DN20 x DN20 x DN25	/ 0.70	/ 0.70	/ 0.73	0.15 / 0.068	V5011R-102
1" x 3/4" x 3/4"	DN25 x DN20 x DN20	/ 0.74	/ 0.80	/ 0.84	0.15 / 0.068	V5011R-125
1" x 3/4" x 1"	DN25 x DN20 x DN25	/ 0.74	/ 0.91	/ 0.73	0.22 / 0.100	V5011R-126
1" x 1" x 3/4"	DN25 x DN25 x DN20	/ 0.61	/ 0.61	/ 0.94	0.13 / 0.059	V5011R-131
1 1/4" x 1" x 3/4"	DN32 x DN25 x DN20	/ 0.74	/ 0.60	/ 0.89	0.20 / 0.091	V5011R-157
1 1/4" x 1" x 1"	DN32 x DN25 x DN25	/ 0.90	/ 0.71	/ 0.89	0.24 / 0.110	V5011R-158
1 1/4" x 1" x 1 1/4"	DN32 x DN25 x DN32	/ 1.00	/ 0.91	/ 0.87	0.28 / 0.130	V5011R-159
1 1/4" x 1 1/4" x 3/4"	DN32 x DN32 x DN20	/ 0.60	/ 0.60	/ 0.89	0.21 / 0.095	V5011R-167
1 1/4" x 1 1/4" x 1"	DN32 x DN32 x DN25	/ 0.72	/ 0.72	/ 0.89	0.13 / 0.059	V5011R-168
1 1/4" x 1 1/4" x 1 1/2"	DN32 x DN32 x DN40	/ 1.00	/ 1.00	/ 0.88	0.42 / 0.191	V5011R-169
1 1/2" x 1 1/4" x 3/4"	DN40 x DN32 x DN20	/ 0.76	/ 0.62	/ 1.02	0.35 / 0.159	V5011R-201
1 1/2" x 1 1/4" x 1"	DN40 x DN32 x DN25	/ 0.88	/ 0.74	/ 1.01	0.39 / 0.177	V5011R-202
1 1/2" x 1 1/2" x 3/4"	DN40 x DN40 x DN20	/ 0.76	/ 0.76	/ 1.31	0.48 / 0.172	V5011R-210
1 1/2" x 1 1/2" x 1"	DN40 x DN40 x DN25	/ 0.77	/ 0.77	/ 1.29	0.52 / 0.236	V5011R-211
1 1/2" x 1 1/2" x 1 1/4"	DN40 x DN40 x DN32	/ 0.87	/ 0.87	/ 1.04	0.47 / 0.213	V5011R-212
1 1/2" x 1 1/2" x 2"	DN40 x DN40 x DN50	/ 1.30	/ 1.29	/ 1.14	0.67 / 0.304	V5011R-213
2" x 2" x 3/4"	DN50 x DN50 x DN20	/ 0.67	/ 0.67	/ 1.56	0.65 / 0.295	V5011R-248
2" x 2" x 1"	DN50 x DN50 x DN25	/ 0.77	/ 0.77	/ 1.55	0.69 / 0.313	V5011R-249
2" x 2" x 1 1/2"	DN50 x DN50 x DN40	/ 1.04	/ 1.04	/ 1.29	0.83 / 0.376	V5011R-251
2 1/2" x 2 1/2" x 1"	DN65 x DN65 x DN25	/ 1.53	/ 1.53	/ 2.59	1.87 / 0.848	V5011R-289
2 1/2" x 2 1/2" x 1 1/4"	DN65 x DN65 x DN32	/ 1.53	/ 1.53	/ 2.47	1.90 / 0.862	V5011R-290
2 1/2" x 2 1/2" x 1 1/2"	DN65 x DN65 x DN40	/ 1.53	/ 1.53	/ 2.08	1.86 / 0.844	V5011R-291
3" x 3" x 2"	DN80 x DN80 x DN50	/ 1.34	/ 1.34	/ 1.82	1.73 / 0.785	V5011R-338
3" x 3" x 2 1/2"	DN80 x DN80 x DN65	/ 1.84	/ 1.84	/ 2.55	2.90 / 1.320	V5011R-339

Refer to the "CPVC Equal Tee" datpage or manufacturer's installation instructions for friction loss information.



Equal Tee

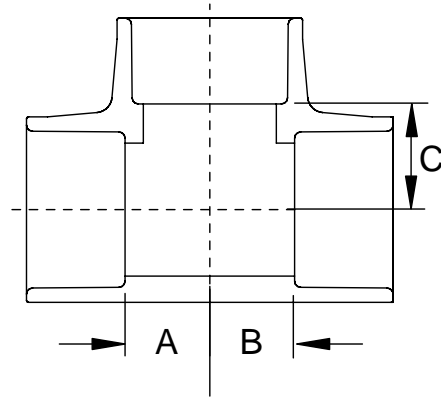
Socket x Socket x Socket

Technical Features

- **Sizes Available (Nominal)** : 3/4" (DN20) through 3" (DN80) pipe diameters.
- **Environmental Specifications** : Indoor use only.
Maximum Ambient Temperature : 150°F (65°C)
- **Pressure Data** : Working Pressure : 175 PSI (12.1 bar) at 150°F (65°C)
- **Specifications** : For use with listed CPVC fire sprinkler pipe produced in Standard Dimension Ratio (SDR) 13.5, as specified in ASTM F442.

CPVC Fire Sprinkler Fittings are produced in Schedule 40 and Schedule 80 dimensions for sizes 3/4" (DN20) through 1 1/4" (DN32) and in Schedule 80 for sizes 1 1/2" (DN40) through 3" (DN80), in accordance with ASTM F437 (Schedule 80 Threaded Fittings), ASTM F438 (Socket type Schedule 40) and ASTM F439 (Schedule 80 Fittings), as applicable. These products are UL Listed and FM Approved for a rated working pressure of 175 psi (12.1 bar) at 150°F (65°C) for sprinkler service.

Approved for National Sanitation Foundation (NSF) potable water services and complies with WRAS requirements for cold water use.



* LPCB Approved up to and including 2"

Equal Tee - Socket x Socket x Socket

Physical Data

Nominal Pipe Size		Dimensions (mm / inch)			Approx. Weight (lbs. / kgs.)	Part Number
inch	metric	A	B	C		
3/4"	DN20	/ 0.56	/ 0.56	/ 0.56	0.09 / 0.04	V5011-007
1"	DN25	/ 0.69	/ 0.69	/ 0.69	0.15 / 0.07	V5011-010
1 1/4"	DN32	/ 0.89	/ 0.89	/ 0.89	0.30 / 0.14	V5011-012
1 1/2"	DN40	/ 1.06	/ 1.06	/ 1.06	0.73 / 0.33	V5011-015
2"	DN50	/ 1.27	/ 1.27	/ 1.27	1.05 / 0.48	V5011-020
2 1/2"	DN65	/ 1.53	/ 1.53	/ 1.53	1.59 / 0.72	V5011-025
3"	DN80	/ 1.84	/ 1.84	/ 1.84	2.38 / 1.10	V5011-030

CPVC Fittings

Allowances for Friction Loss in Fittings

Nominal Pipe Size		Equivalent Feet / Meters of Pipe				
inch	metric	Tee Run	Tee Branch	90° Elbow	45° Elbow	Coupling
3/4"	DN20	1 / 0.3	3 / 0.9	7 / 2.1	1 / 0.3	1 / 0.3
1"	DN25	1 / 0.3	5 / 1.5	7 / 2.1	1 / 0.3	1 / 0.3
1 1/4"	DN32	1 / 0.3	6 / 1.8	8 / 2.4	2 / 0.6	1 / 0.3
1 1/2"	DN40	1 / 0.3	8 / 2.4	9 / 2.7	2 / 0.6	1 / 0.3
2"	DN50	1 / 0.3	10 / 3.1	11 / 3.4	2 / 0.6	1 / 0.3
2 1/2"	DN65	2 / 0.6	12 / 3.7	12 / 3.7	3 / 0.9	2 / 0.6
3"	DN80	2 / 0.6	15 / 4.6	13 / 4.0	4 / 1.2	2 / 0.6



Sprinkler Head Tee (Metal Thread Insert)

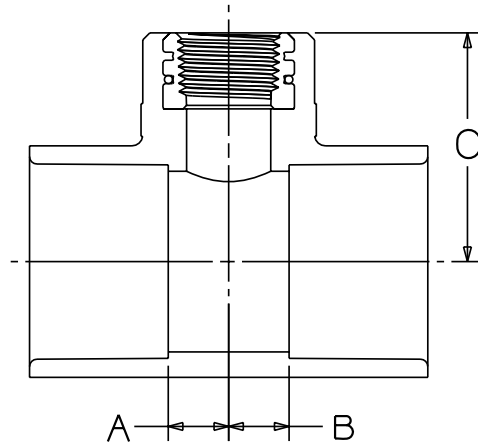
Socket x Socket x NPT Thread

Technical Features

- **Sizes Available (Nominal)** : See table below.
- **Environmental Specifications** : Indoor use only.
Maximum Ambient Temperature : 150°F (65°C)
- **Pressure Data** : Working Pressure : 175 PSI (12.1 bar) at 150°F (65°C)
- **Threaded Connections** : 1 female threaded NPT outlet.
- **Specifications** : For use with listed CPVC fire sprinkler pipe produced in Standard Dimension Ratio (SDR) 13.5, as specified in ASTM F442.

CPVC Fire Sprinkler Fittings are produced in Schedule 40 and Schedule 80 dimensions for sizes 3/4" (DN20) through 1 1/4" (DN32) and in Schedule 80 for sizes 1 1/2" (DN40) through 3" (DN80), in accordance with ASTM F437 (Schedule 80 Threaded Fittings), ASTM F438 (Socket type Schedule 40) and ASTM F439 (Schedule 80 Fittings), as applicable. These products are UL Listed and FM Approved for a rated working pressure of 175 psi (12.5 bar) at 150°F (65°C) for sprinkler service.

Approved for National Sanitation Foundation (NSF) potable water services and complies with WRAS requirements for cold water use.



* LPCB Approved up to and including 2"

Sprinkler Head Tee (Metal Thread Insert) - Socket x Socket x NPT Thread

Physical Data

Nominal Pipe Size		Dimensions (inch)			Approx. Weight (lbs. / kgs.)	Part Number
inch	metric	A	B	C		
3/4" x 3/4" x 1/2"	DN20 x DN20 x DN15	/ 0.42	/ 0.42	/ 1.60	0.22 / 0.100	V5012SBI-101
1" x 3/4" x 1/2"	DN25 x DN20 x DN15	/ 0.43	/ 0.83	/ 1.69	0.27 / 0.125	V5012RSBI-124
1" x 1" x 1/2"	DN25 x DN25 x DN15	/ 0.42	/ 0.42	/ 1.76	0.28 / 0.127	V5012SBI-130
1" x 1" x 1"	DN25 x DN25 x DN25	/ 0.83	/ 0.83	/ 1.48	0.43 / 0.195	V5012SBI-010
1 1/4" x 1" x 1/2"	DN32 x DN25 x DN15	/ 0.51	/ 0.63	/ 1.94	0.33 / 0.149	V5012RSBI-156
1 1/4" x 1 1/4" x 1/2"	DN32 x DN32 x DN15	/ 0.51	/ 0.51	/ 1.95	0.33 / 0.149	V5012SBI-166
1 1/2" x 1 1/4" x 1/2"	DN40 x DN32 x DN15	/ 0.45	/ 0.67	/ 2.13	0.47 / 0.213	V5012RSBI-199
1 1/2" x 1 1/2" x 1/2"	DN40 x DN40 x DN15	/ 0.45	/ 0.45	/ 2.13	0.47 / 0.213	V5012SBI-209
2" x 1 1/2" x 1/2"	DN50 x DN40 x DN15	/ 0.62	/ 0.82	/ 2.38	0.58 / 0.263	V5012RSBI-237
2" x 2" x 1/2"	DN50 x DN50 x DN15	/ 0.50	/ 0.50	/ 1.68	0.58 / 0.263	V5012SBI-247

CPVC Fittings

Allowances for Friction Loss in Fittings

Nominal Pipe Size		Equivalent Feet / Meters of Pipe				
inch	metric	Tee Run	Tee Branch	90° Elbow	45° Elbow	Coupling
3/4"	DN20	1 / 0.3	3 / 0.9	7 / 2.1	1 / 0.3	1 / 0.3
1"	DN25	1 / 0.3	5 / 1.5	7 / 2.1	1 / 0.3	1 / 0.3
1 1/4"	DN32	1 / 0.3	6 / 1.8	8 / 2.4	2 / 0.6	1 / 0.3
1 1/2"	DN40	1 / 0.3	8 / 2.4	9 / 2.7	2 / 0.6	1 / 0.3
2"	DN50	1 / 0.3	10 / 3.1	11 / 3.4	2 / 0.6	1 / 0.3
2 1/2"	DN65	2 / 0.6	12 / 3.7	12 / 3.7	3 / 0.9	2 / 0.6
3"	DN80	2 / 0.6	15 / 4.6	13 / 4.0	4 / 1.2	2 / 0.6



Sprinkler Head Tee (Metal Thread Insert)

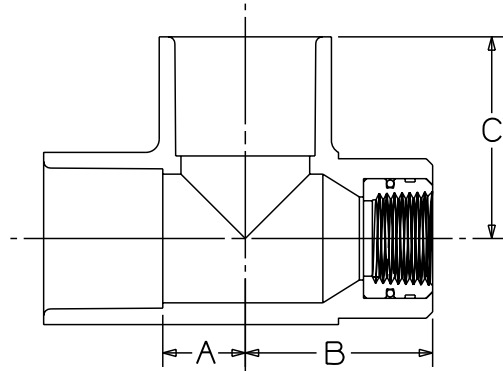
Socket x NPT Thread x Socket

Technical Features

- **Sizes Available (Nominal)** : 1" (DN25) x 1/2" (DN15) x 1" (DN25)
- **Environmental Specifications** : Indoor use only.
Maximum Ambient Temperature : 150°F (65°C)
- **Pressure Data** : Working Pressure : 175 PSI (12.1 bar) at 150°F (65°C)
- **Threaded Connections** : 1 female threaded NPT outlet.
- **Specifications** : For use with listed CPVC fire sprinkler pipe produced in Standard Dimension Ratio (SDR) 13.5, as specified in ASTM F442.

CPVC Fire Sprinkler Fittings are produced in Schedule 40 and Schedule 80 dimensions for sizes 3/4" (DN20) through 1 1/4" (DN32) and in Schedule 80 for sizes 1 1/2" (DN40) through 3" (DN80), in accordance with ASTM F437 (Schedule 80 Threaded Fittings), ASTM F438 (Socket type Schedule 40) and ASTM F439 (Schedule 80 Fittings), as applicable. These products are UL

Listed and FM Approved for a rated working pressure of 175 psi (12.1 bar) at 150°F (65°C) for sprinkler service. Approved for National Sanitation Foundation (NSF) potable water services and complies with WRAS requirements for cold water use.



* LPCB Approved up to and including 2"

CPVC Pipe & Fittings

Sprinkler Head Tee (Metal Thread Insert) - Socket x NPT Thread x Socket

Physical Data

Nominal Pipe Size		Dimensions (mm / inch)			Approx. Weight (lbs. / kgs.)	Part Number
inch	metric	A	B	C		
1" x 1/2" x 1"	DN25 x DN15 x DN25	/	/	/	0.25 / 0.113	V5012RSBI-122

CPVC Fittings

Allowances for Friction Loss in Fittings

Nominal Pipe Size		Equivalent Feet / Meters of Pipe				
inch	metric	Tee Run	Tee Branch	90° Elbow	45° Elbow	Coupling
3/4"	DN20	1 / 0.3	3 / 0.9	7 / 2.1	1 / 0.3	1 / 0.3
1"	DN25	1 / 0.3	5 / 1.5	7 / 2.1	1 / 0.3	1 / 0.3
1 1/4"	DN32	1 / 0.3	6 / 1.8	8 / 2.4	2 / 0.6	1 / 0.3
1 1/2"	DN40	1 / 0.3	8 / 2.4	9 / 2.7	2 / 0.6	1 / 0.3
2"	DN50	1 / 0.3	10 / 3.1	11 / 3.4	2 / 0.6	1 / 0.3
2 1/2"	DN65	2 / 0.6	12 / 3.7	12 / 3.7	3 / 0.9	2 / 0.6
3"	DN80	2 / 0.6	15 / 4.6	13 / 4.0	4 / 1.2	2 / 0.6



Sprinkler Head Tee - Sidewall (Metal Thread Inserts)

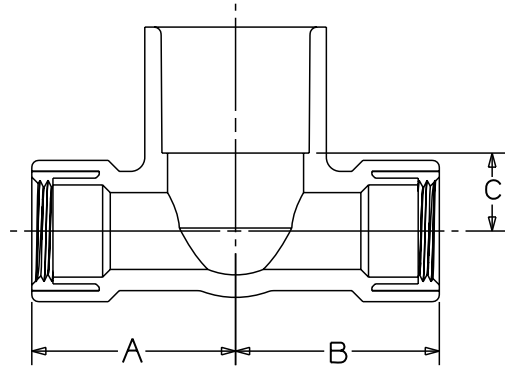
NPT Thread x NPT Thread x Socket

Technical Features

- **Sizes Available (Nominal)** : 1/2" (DN15) pipe run with 1" (DN25) outlet.
- **Environmental Specifications** : Indoor use only.
Maximum Ambient Temperature : 150°F (65°C)
- **Pressure Data** : Working Pressure : 175 PSI (12.1 bar) at 150°F (65°C)
- **Threaded Connections** : 2 female threaded NPT inlets.
- **Specifications** : For use with listed CPVC fire sprinkler pipe produced in Standard Dimension Ratio (SDR) 13.5, as specified in ASTM F442.

CPVC Fire Sprinkler Fittings are produced in Schedule 40 and Schedule 80 dimensions for sizes 3/4" (DN20) through 1 1/4" (DN32) and in Schedule 80 for sizes 1 1/2" (DN40) through 3" (DN80), in accordance with ASTM F437 (Schedule 80 Threaded Fittings), ASTM F438 (Socket type Schedule 40) and ASTM F439 (Schedule 80 Fittings), as applicable. These products are UL Listed and FM Approved for a rated working pressure of 175 psi (12.1 bar) at 150°F (65°C) for sprinkler service.

Approved for National Sanitation Foundation (NSF) potable water services and complies with WRAS requirements for cold water use.



* LPCB Approved up to and including 2"

CPVC Pipe & Fittings

Sprinkler Head Tee - Sidewall (Metal Thread Inserts) - NPT x NPT x Socket

Physical Data

Nominal Pipe Size		Dimensions (mm / inch)			Approx. Weight (lbs. / kgs.)	Part Number
inch	metric	A	B	C		
1/2" x 1/2" x 1"	DN15 x DN15 x DN25	/ 1.18	/ 1.18	/ 0.62	0.48 / 0.217	V501133SBIS-075

CPVC Fittings

Allowances for Friction Loss in Fittings

Nominal Pipe Size		Equivalent Feet / Meters of Pipe				
inch	metric	Tee Run	Tee Branch	90° Elbow	45° Elbow	Coupling
3/4"	DN20	1 / 0.3	3 / 0.9	7 / 2.1	1 / 0.3	1 / 0.3
1"	DN25	1 / 0.3	5 / 1.5	7 / 2.1	1 / 0.3	1 / 0.3
1 1/4"	DN32	1 / 0.3	6 / 1.8	8 / 2.4	2 / 0.6	1 / 0.3
1 1/2"	DN40	1 / 0.3	8 / 2.4	9 / 2.7	2 / 0.6	1 / 0.3
2"	DN50	1 / 0.3	10 / 3.1	11 / 3.4	2 / 0.6	1 / 0.3
2 1/2"	DN65	2 / 0.6	12 / 3.7	12 / 3.7	3 / 0.9	2 / 0.6
3"	DN80	2 / 0.6	15 / 4.6	13 / 4.0	4 / 1.2	2 / 0.6



90° Elbow & Reducing 90° Elbow

Socket x Socket

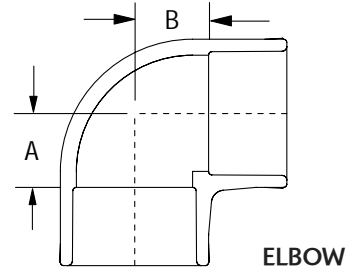
Technical Features

- **Sizes Available (Nominal)** : See tables below.
- **Environmental Specifications** : Indoor use only.
Maximum Ambient Temperature : 150°F (65°C)
- **Pressure Data** : Working Pressure : 175 PSI (12.1 bar) at 150°F (65°C)
- **Specifications** : For use with listed CPVC fire sprinkler pipe produced in Standard Dimension Ratio (SDR) 13.5, as specified in ASTM F442.

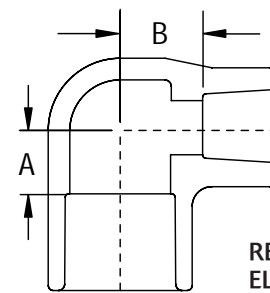
CPVC Fire Sprinkler Fittings are produced in Schedule 40 and Schedule 80 dimensions for sizes 3/4" (DN20) through 1 1/4" (DN32) and in Schedule 80 for sizes 1 1/2" (DN40) through 3" (DN80), in accordance with ASTM F437 (Schedule 80 Threaded Fittings), ASTM F438 (Socket type Schedule 40) and ASTM F439 (Schedule 80 Fittings), as applicable. These products are UL Listed and FM Approved for a rated working pressure of 175 psi (12.1 bar) at 150°F (65°C) for sprinkler service.

Approved for National Sanitation Foundation (NSF) potable water services and complies with WRAS requirements for cold water use.

* LPCB Approved up to and including 2"



ELBOW



REDUCING ELBOW



90° Elbow - Socket x Socket

Physical Data

Nominal Pipe Size		Dimensions (mm / inch)		Approx. Weight (lbs. / kgs.)	Part Number
inch	metric	A	B		
3/4"	DN20	/ 0.56	/ 0.56	0.06 / 0.022	V5007-007
1"	DN25	/ 0.69	/ 0.69	0.09 / 0.034	V5007-010
1 1/4"	DN32	/ 0.91	/ 0.91	0.16 / 0.059	V5007-012
1 1/2"	DN40	/ 1.06	/ 1.06	0.50 / 0.187	V5007-015
2"	DN50	/ 1.24	/ 1.24	0.70 / 0.261	V5007-020
2 1/2"	DN65	/ 1.50	/ 1.50	1.16 / 0.433	V5007-025
3"	DN80	/ 1.81	/ 1.81	1.82 / 0.679	V5007-030

Reducing 90° Elbow - Socket x Socket

Physical Data

Nominal Pipe Size		Dimensions (mm / inch)		Approx. Weight (lbs. / kgs.)	Part Number
inch	metric	A	B		
1" x 3/4"	DN25 x DN32	/ 0.61	/ 0.75	0.12 / 0.045	V5007R-131

CPVC Fittings

Allowances for Friction Loss in Fittings

Nominal Pipe Size		Equivalent Feet / Meters of Pipe				
inch	metric	Tee Run	Tee Branch	90° Elbow	45° Elbow	Coupling
3/4"	DN20	1 / 0.3	3 / 0.9	7 / 2.1	1 / 0.3	1 / 0.3
1"	DN25	1 / 0.3	5 / 1.5	7 / 2.1	1 / 0.3	1 / 0.3
1 1/4"	DN32	1 / 0.3	6 / 1.8	8 / 2.4	2 / 0.6	1 / 0.3
1 1/2"	DN40	1 / 0.3	8 / 2.4	9 / 2.7	2 / 0.6	1 / 0.3
2"	DN50	1 / 0.3	10 / 3.1	11 / 3.4	2 / 0.6	1 / 0.3
2 1/2"	DN65	2 / 0.6	12 / 3.7	12 / 3.7	3 / 0.9	2 / 0.6
3"	DN80	2 / 0.6	15 / 4.6	13 / 4.0	4 / 1.2	2 / 0.6



Sprinkler Head 90° Elbow (Metal Thread Insert)

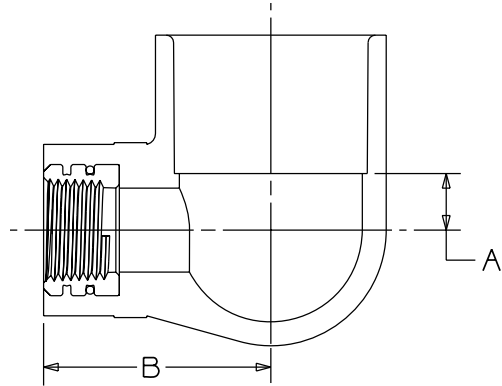
Socket x NPT Thread

Technical Features

- **Sizes Available (Nominal)** : 3/4" (DN20) through 1 1/4" (DN32) run, 1/2" (DN15) and 3/4" (DN20) outlet.
- **Environmental Specifications** : Indoor use only.
Maximum Ambient Temperature : 150°F (65°C)
- **Pressure Data** : Working Pressure : 175 PSI (12.1 bar) at 150°F (65°C)
- **Threaded Connections** : 1 female threaded NPT outlet.
- **Specifications** : For use with listed CPVC fire sprinkler pipe produced in Standard Dimension Ratio (SDR) 13.5, as specified in ASTM F442.

CPVC Fire Sprinkler Fittings are produced in Schedule 40 and Schedule 80 dimensions for sizes 3/4" (DN20) through 1 1/4" (DN32) and in Schedule 80 for sizes 1 1/2" (DN40) through 3" (DN80), in accordance with ASTM F437 (Schedule 80 Threaded Fittings), ASTM F438 (Socket type Schedule 40) and ASTM F439 (Schedule 80 Fittings), as applicable. These products are UL Listed and FM Approved for a rated working pressure of 175 psi (12.1 bar) at 150°F (65°C) for sprinkler service.

Approved for National Sanitation Foundation (NSF) potable water services and complies with WRAS requirements for cold water use.



* LPCB Approved up to and including 2"

CPVC Pipe & Fittings

Sprinkler Head 90° Elbow (Metal Thread Insert) - Socket x NPT Thread

Physical Data

Nominal Pipe Size		Dimensions (mm / inch)		Approx. Weight (lbs. / kgs.)	Part Number
inch	metric	A	B		
3/4"	DN20 x DN15	/ 0.56	/ 1.62	0.22 / 0.099	V50073SBI-101
1"	DN25 x DN15	/ 0.50	/ 1.75	0.27 / 0.122	V50073SBI-130
1" x 3/4"	DN25 x DN20	/ 0.59	/ 1.88	0.27 / 0.122	V50073SBI-131
1 1/4" x 1/2"	DN32 x DN15	/ 0.48	/ 1.95	1.86 / 0.844	V50073SBI-166

CPVC Fittings

Allowances for Friction Loss in Fittings

Nominal Pipe Size		Equivalent Feet / Meters of Pipe				
inch	metric	Tee Run	Tee Branch	90° Elbow	45° Elbow	Coupling
3/4"	DN20	1 / 0.3	3 / 0.9	7 / 2.1	1 / 0.3	1 / 0.3
1"	DN25	1 / 0.3	5 / 1.5	7 / 2.1	1 / 0.3	1 / 0.3
1 1/4"	DN32	1 / 0.3	6 / 1.8	8 / 2.4	2 / 0.6	1 / 0.3
1 1/2"	DN40	1 / 0.3	8 / 2.4	9 / 2.7	2 / 0.6	1 / 0.3
2"	DN50	1 / 0.3	10 / 3.1	11 / 3.4	2 / 0.6	1 / 0.3
2 1/2"	DN65	2 / 0.6	12 / 3.7	12 / 3.7	3 / 0.9	2 / 0.6
3"	DN80	2 / 0.6	15 / 4.6	13 / 4.0	4 / 1.2	2 / 0.6



45° Elbow

Socket x Socket

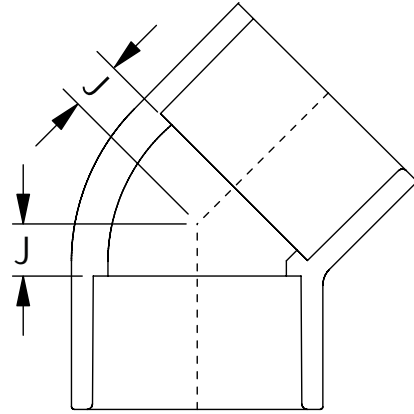
Technical Features

- **Sizes Available (Nominal)** : 3/4" (DN20) through 3" (DN80) pipe diameters.
- **Environmental Specifications** : Indoor use only.
Maximum Ambient Temperature : 150°F (65°C)
- **Pressure Data** : Working Pressure : 175 PSI (12.1 bar) at 150°F (65°C)
- **Specifications** : For use with listed CPVC fire sprinkler pipe produced in Standard Dimension Ratio (SDR) 13.5, as specified in ASTM F442.

CPVC Fire Sprinkler Fittings are produced in Schedule 40 and Schedule 80 dimensions for sizes 3/4" (DN20) through 1 1/4" (DN32) and in Schedule 80 for sizes 1 1/2" (DN40) through 3" (DN80), in accordance with ASTM F437 (Schedule 80 Threaded Fittings), ASTM F438 (Socket type Schedule 40) and ASTM F439 (Schedule 80 Fittings), as applicable. These products are UL

Listed and FM Approved for a rated working pressure of 175 psi (12.1 bar) at 150°F (65°C) for sprinkler service.

Approved for National Sanitation Foundation (NSF) potable water services and complies with WRAS requirements for cold water use.



* LPCB Approved up to and including 2"

45° Elbow - Socket x Socket

Physical Data

Nominal Pipe Size		Dimensions (mm / inch)	Approx. Weight (lbs. / kgs.)	Part Number
inch	metric	J		
3/4"	DN20	/ 0.32	0.06 / 0.027	V5006-007
1"	DN25	/ 0.39	0.12 / 0.054	V5006-010
1 1/4"	DN32	/ 0.48	0.17 / 0.0794	V5006-012
1 1/2"	DN40	/ 0.47	0.41 / 0.190	V5006-015
2"	DN50	/ 0.58	0.62 / 0.280	V5006-020
2 1/2"	DN65	/ 0.65	0.93 / 0.420	V5006-025
3"	DN80	/ 0.76	1.39 / 0.630	V5006-030

CPVC Fittings

Allowances for Friction Loss in Fittings

Nominal Pipe Size		Equivalent Feet / Meters of Pipe				
inch	metric	Tee Run	Tee Branch	90° Elbow	45° Elbow	Coupling
3/4"	DN20	1 / 0.3	3 / 0.9	7 / 2.1	1 / 0.3	1 / 0.3
1"	DN25	1 / 0.3	5 / 1.5	7 / 2.1	1 / 0.3	1 / 0.3
1 1/4"	DN32	1 / 0.3	6 / 1.8	8 / 2.4	2 / 0.6	1 / 0.3
1 1/2"	DN40	1 / 0.3	8 / 2.4	9 / 2.7	2 / 0.6	1 / 0.3
2"	DN50	1 / 0.3	10 / 3.1	11 / 3.4	2 / 0.6	1 / 0.3
2 1/2"	DN65	2 / 0.6	12 / 3.7	12 / 3.7	3 / 0.9	2 / 0.6
3"	DN80	2 / 0.6	15 / 4.6	13 / 4.0	4 / 1.2	2 / 0.6



Cross & Reducing Cross

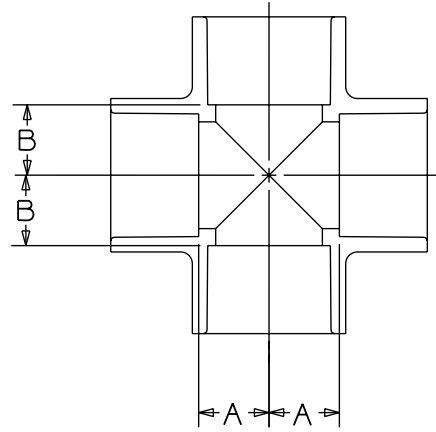
Socket x Socket x Socket x Socket

Technical Features

- **Sizes Available (Nominal)** : See tables below.
- **Environmental Specifications** : Indoor use only.
Maximum Ambient Temperature : 150°F (65°C)
- **Pressure Data** : Working Pressure : 175 PSI (12.1 bar) at 150°F (65°C)
- **Specifications** : For use with listed CPVC fire sprinkler pipe produced in Standard Dimension Ratio (SDR) 13.5, as specified in ASTM F442.

CPVC Fire Sprinkler Fittings are produced in Schedule 40 and Schedule 80 dimensions for sizes 3/4" (DN20) through 1 1/4" (DN32) and in Schedule 80 for sizes 1 1/2" (DN40) through 3" (DN80), in accordance with ASTM F437 (Schedule 80 Threaded Fittings), ASTM F438 (Socket type Schedule 40) and ASTM F439 (Schedule 80 Fittings), as applicable. These products are UL Listed and FM Approved for a rated working pressure of 175 psi (12.1 bar) at 150°F (65°C) for sprinkler service.

Approved for National Sanitation Foundation (NSF) potable water services and complies with WRAS requirements for cold water use.



* LPCB Approved up to and including 2"

CPVC Pipe & Fittings

Cross - Socket x Socket x Socket x Socket

Physical Data

Nominal Pipe Size		Dimensions (mm / inch)		Approx. Weight (lbs. / kgs.)	Part Number
inch	metric	A	B		
3/4"	DN20	/ 0.60	/ 0.60	0.13 / 0.059	V5035-007
1"	DN25	/ 0.74	/ 0.74	0.25 / 0.113	V5035-010
1 1/4"	DN32	/ 0.90	/ 0.90	0.35 / 0.159	V5035-012
1 1/2"	DN40	/ 1.23	/ 1.23	0.69 / 0.313	V5035-015
2"	DN50	/ 1.53	/ 1.53	1.02 / 0.463	V5035-020
2 1/2"	DN65	/ 1.75	/ 1.75	1.70 / 0.771	V5035-025

Reducing Cross - Socket x Socket x Socket x Socket

Physical Data

Nominal Pipe Size		Dimensions (mm / inch)		Approx. Weight (lbs. / kgs.)	Part Number
inch	metric	A	B		
1" x 1" x 3/4" x 3/4"	DN25 x DN25 x DN20 x DN20	/ 0.60	/ 0.72	0.18 / 0.082	V5035-131

CPVC Fittings

Allowances for Friction Loss in Fittings

Nominal Pipe Size		Equivalent Feet / Meters of Pipe				
inch	metric	Tee Run	Tee Branch	90° Elbow	45° Elbow	Coupling
3/4"	DN20	1 / 0.3	3 / 0.9	7 / 2.1	1 / 0.3	1 / 0.3
1"	DN25	1 / 0.3	5 / 1.5	7 / 2.1	1 / 0.3	1 / 0.3
1 1/4"	DN32	1 / 0.3	6 / 1.8	8 / 2.4	2 / 0.6	1 / 0.3
1 1/2"	DN40	1 / 0.3	8 / 2.4	9 / 2.7	2 / 0.6	1 / 0.3
2"	DN50	1 / 0.3	10 / 3.1	11 / 3.4	2 / 0.6	1 / 0.3
2 1/2"	DN65	2 / 0.6	12 / 3.7	12 / 3.7	3 / 0.9	2 / 0.6
3"	DN80	2 / 0.6	15 / 4.6	13 / 4.0	4 / 1.2	2 / 0.6



Sprinkler Head Cross - Sidewall (Metal Thread Inserts)

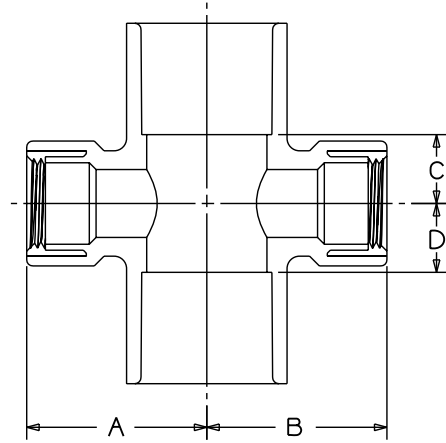
Socket x Socket x NPT Thread x NPT Thread

Technical Features

- **Sizes Available (Nominal)** : See table below
- **Environmental Specifications** : Indoor use only.
Maximum Ambient Temperature : 150°F (65°C)
- **Pressure Data** : Working Pressure : 175 PSI (12.1 bar) at 150°F (65°C)
- **Threaded Connections** : 2 female threaded NPT outlets.
- **Specifications** : For use with listed CPVC fire sprinkler pipe produced in Standard Dimension Ratio (SDR) 13.5, as specified in ASTM F442.

CPVC Fire Sprinkler Fittings are produced in Schedule 40 and Schedule 80 dimensions for sizes 3/4" (DN20) through 1 1/4" (DN32) and in Schedule 80 for sizes 1 1/2" (DN40) through 3" (DN80), in accordance with ASTM F437 (Schedule 80 Threaded Fittings), ASTM F438 (Socket type Schedule 40) and ASTM F439 (Schedule 80 Fittings), as applicable. These products are UL Listed and FM Approved for a rated working pressure of 175 psi (12.1 bar) at 150°F (65°C) for sprinkler service.

Approved for National Sanitation Foundation (NSF) potable water services and complies with WRAS requirements for cold water use.



* LPCB Approved up to and including 2"

CPVC Pipe & Fittings

Sprinkler Head Cross - Sidewall (Metal Thread Inserts) - Soc x Soc x NPT x NPT

Physical Data

Nominal Pipe Size		Dimensions (mm / inch)				Approx. Weight (lbs. / kgs.)	Part Number
inch	metric	A	B	C	D		
1" x 1" x 1/2" x 1/2"	DN25 x DN25 x DN15 x DN15	1.18	1.18	0.62	0.62	0.46 / 0.209	V50353SBIS-130

CPVC Fittings

Allowances for Friction Loss in Fittings

Nominal Pipe Size		Equivalent Feet / Meters of Pipe				
inch	metric	Tee Run	Tee Branch	90° Elbow	45° Elbow	Coupling
3/4"	DN20	1 / 0.3	3 / 0.9	7 / 2.1	1 / 0.3	1 / 0.3
1"	DN25	1 / 0.3	5 / 1.5	7 / 2.1	1 / 0.3	1 / 0.3
1 1/4"	DN32	1 / 0.3	6 / 1.8	8 / 2.4	2 / 0.6	1 / 0.3
1 1/2"	DN40	1 / 0.3	8 / 2.4	9 / 2.7	2 / 0.6	1 / 0.3
2"	DN50	1 / 0.3	10 / 3.1	11 / 3.4	2 / 0.6	1 / 0.3
2 1/2"	DN65	2 / 0.6	12 / 3.7	12 / 3.7	3 / 0.9	2 / 0.6
3"	DN80	2 / 0.6	15 / 4.6	13 / 4.0	4 / 1.2	2 / 0.6



Coupling

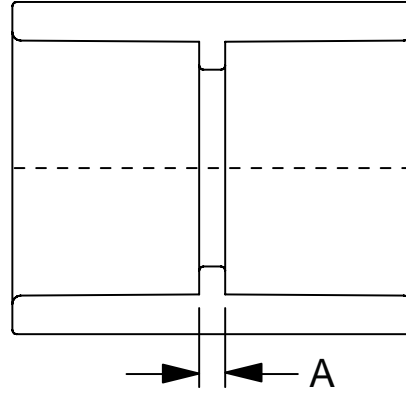
Socket x Socket

Technical Features

- **Sizes Available (Nominal)** : 3/4" (DN20) through 3" (DN80) pipe diameters.
- **Environmental Specifications** : Indoor use only.
Maximum Ambient Temperature : 150°F (65°C)
- **Pressure Data** : Working Pressure : 175 PSI (12.1 bar) at 150°F (65°C)
- **Specifications** : For use with listed CPVC fire sprinkler pipe produced in Standard Dimension Ratio (SDR) 13.5, as specified in ASTM F442.

CPVC Fire Sprinkler Fittings are produced in Schedule 40 and Schedule 80 dimensions for sizes 3/4" (DN20) through 1 1/4" (DN32) and in Schedule 80 for sizes 1 1/2" (DN40) through 3" (DN80), in accordance with ASTM F437 (Schedule 80 Threaded Fittings), ASTM F438 (Socket type Schedule 40) and ASTM F439 (Schedule 80 Fittings), as applicable. These products are UL Listed and FM Approved for a rated working pressure of 175 psi (12.1 bar) at 150°F (65°C) for sprinkler service.

Approved for National Sanitation Foundation (NSF) potable water services and complies with WRAS requirements for cold water use.



* LPCB Approved up to and including 2"

Coupling - Socket x Socket

Physical Data

Nominal Pipe Size		Dimensions (mm / inch)	Approx. Weight (lbs. / kgs.)	Part Number
inch	metric	A		
3/4"	DN20	/ 0.10	0.05 / 0.023	V5001-007
1"	DN25	/ 0.09	0.08 / 0.036	V5001-010
1 1/4"	DN32	/ 0.10	0.13 / 0.059	V5001-012
1 1/2"	DN40	/ 0.24	0.37 / 0.168	V5001-015
2"	DN50	/ 0.19	0.52 / 0.236	V5001-020
2 1/2"	DN65	/ 0.13	0.68 / 0.308	V5001-025
3"	DN80	/ 0.16	1.05 / 0.476	V5001-030

CPVC Fittings

Allowances for Friction Loss in Fittings

Nominal Pipe Size		Equivalent Feet / Meters of Pipe				
inch	metric	Tee Run	Tee Branch	90° Elbow	45° Elbow	Coupling
3/4"	DN20	1 / 0.3	3 / 0.9	7 / 2.1	1 / 0.3	1 / 0.3
1"	DN25	1 / 0.3	5 / 1.5	7 / 2.1	1 / 0.3	1 / 0.3
1 1/4"	DN32	1 / 0.3	6 / 1.8	8 / 2.4	2 / 0.6	1 / 0.3
1 1/2"	DN40	1 / 0.3	8 / 2.4	9 / 2.7	2 / 0.6	1 / 0.3
2"	DN50	1 / 0.3	10 / 3.1	11 / 3.4	2 / 0.6	1 / 0.3
2 1/2"	DN65	2 / 0.6	12 / 3.7	12 / 3.7	3 / 0.9	2 / 0.6
3"	DN80	2 / 0.6	15 / 4.6	13 / 4.0	4 / 1.2	2 / 0.6



Reducer Coupling

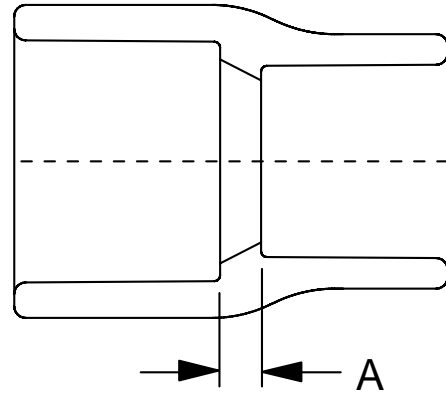
Socket x Socket

Technical Features

- **Sizes Available (Nominal)** : 1" (DN25) through 2 1/2" (DN65) inlet, 3/4" (DN20) through 2" outlet.
- **Environmental Specifications** : Indoor use only.
Maximum Ambient Temperature : 150°F (65°C)
- **Pressure Data** : Working Pressure : 175 PSI (12.1 bar) at 150°F (65°C)
- **Specifications** : For use with listed CPVC fire sprinkler pipe produced in Standard Dimension Ratio (SDR) 13.5, as specified in ASTM F442.

CPVC Fire Sprinkler Fittings are produced in Schedule 40 and Schedule 80 dimensions for sizes 3/4" (DN20) through 1 1/4" (DN32) and in Schedule 80 for sizes 1 1/2" (DN40) through 3" (DN80), in accordance with ASTM F437 (Schedule 80 Threaded Fittings), ASTM F438 (Socket type Schedule 40) and ASTM F439 (Schedule 80 Fittings), as applicable. These products are UL Listed and FM Approved for a rated working pressure of 175 psi (12.1 bar) at 150°F (65°C) for sprinkler service.

Approved for National Sanitation Foundation (NSF) potable water services and complies with WRAS requirements for cold water use.



* LPCB Approved up to and including 2"

Reducer Coupling - Socket x Socket

Physical Data

Nominal Pipe Size		Dimensions (mm / inch)	Approx. Weight (lbs. / kgs.)	Part Number
inch	metric	A		
1" x 3/4"	DN25 x DN20	/ 0.29	0.07 / 0.032	V5001R-131
1 1/4" x 1"	DN32 x DN25	/ 0.35	0.12 / 0.054	V5001R-168
1 1/2" x 3/4"	DN40 x DN20	/ 1.02	0.31 / 0.140	V5001R-210
1 1/2" x 1"	DN40 x DN25	/ 0.88	0.33 / 0.150	V5001R-211
1 1/2" x 1 1/4"	DN40 x DN32	/ 0.76	0.50 / 0.230	V5001R-212
2" x 1"	DN50 x DN25	/ 0.97	0.44 / 0.200	V5001R-249
2" x 1 1/2"	DN50 x DN40	/ 0.46	0.50 / 0.230	V5001R-251

CPVC Fittings

Allowances for Friction Loss in Fittings

Nominal Pipe Size		Equivalent Feet / Meters of Pipe				
inch	metric	Tee Run	Tee Branch	90° Elbow	45° Elbow	Coupling
3/4"	DN20	1 / 0.3	3 / 0.9	7 / 2.1	1 / 0.3	1 / 0.3
1"	DN25	1 / 0.3	5 / 1.5	7 / 2.1	1 / 0.3	1 / 0.3
1 1/4"	DN32	1 / 0.3	6 / 1.8	8 / 2.4	2 / 0.6	1 / 0.3
1 1/2"	DN40	1 / 0.3	8 / 2.4	9 / 2.7	2 / 0.6	1 / 0.3
2"	DN50	1 / 0.3	10 / 3.1	11 / 3.4	2 / 0.6	1 / 0.3
2 1/2"	DN65	2 / 0.6	12 / 3.7	12 / 3.7	3 / 0.9	2 / 0.6
3"	DN80	2 / 0.6	15 / 4.6	13 / 4.0	4 / 1.2	2 / 0.6



Coupling Adapter

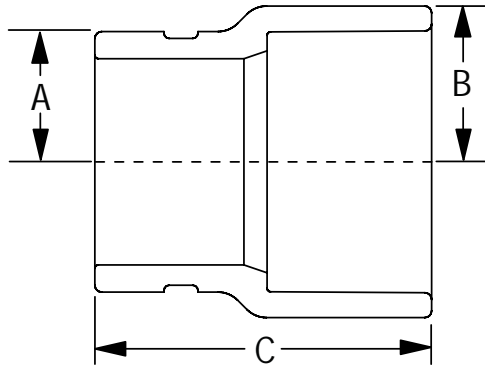
Socket x Groove

Technical Features

- **Sizes Available (Nominal)** : 1 1/4" (DN32) through 3" (DN80) pipe diameters.
- **Environmental Specifications** : Indoor use only.
Maximum Ambient Temperature : 150°F (65°C)
- **Pressure Data** : Working Pressure : 175 PSI (12.1 bar) at 150°F (65°C)
- **Specifications** : For use with listed CPVC fire sprinkler pipe produced in Standard Dimension Ratio (SDR) 13.5, as specified in ASTM F442.

CPVC Fire Sprinkler Fittings are produced in Schedule 40 and Schedule 80 dimensions for sizes 3/4" (DN20) through 1 1/4" (DN32) and in Schedule 80 for sizes 1 1/2" (DN40) through 3" (DN80), in accordance with ASTM F437 (Schedule 80 Threaded Fittings), ASTM F438 (Socket type Schedule 40) and ASTM F439 (Schedule 80 Fittings), as applicable. These products are UL Listed and FM Approved for a rated working pressure of 175 psi (12.1 bar) at 150°F (65°C) for sprinkler service.

Approved for National Sanitation Foundation (NSF) potable water services and complies with WRAS requirements for cold water use.



* LPCB Approved up to and including 2"

Coupling Adapter - Socket x Groove

Physical Data

Nominal Pipe Size		K (in./mm)	Dimensions (mm / inch)			Approx. Weight (lbs. / kgs.)	Part Number
inch	metric		A	B	C		
1 1/4"	DN32	1.66 / 42,2	/ 0.83	/ 1.04	/ 2.98	0.17 / 0.077	V5001G-012
1 1/2"	DN40	1.90 / 48,3	/ 0.95	/ 1.17	/ 3.15	0.20 / 0.091	V5001G-015
2"	DN50	2.375 / 60,3	/ 1.18	/ 1.43	/ 3.37	0.30 / 0.136	V5001G-020
2 1/2"	DN65	2.875 / 73,0	/ 1.43	/ 1.74	/ 3.66	0.52 / 0.236	V5001G-025
3"	DN80	3.50 / 88,9	/ 3.50	--	--	0.72 / 0.327	V5001G-030

CPVC Fittings

Allowances for Friction Loss in Fittings

Nominal Pipe Size		Equivalent Feet / Meters of Pipe				
inch	metric	Tee Run	Tee Branch	90° Elbow	45° Elbow	Coupling
3/4"	DN20	1 / 0.3	3 / 0.9	7 / 2.1	1 / 0.3	1 / 0.3
1"	DN25	1 / 0.3	5 / 1.5	7 / 2.1	1 / 0.3	1 / 0.3
1 1/4"	DN32	1 / 0.3	6 / 1.8	8 / 2.4	2 / 0.6	1 / 0.3
1 1/2"	DN40	1 / 0.3	8 / 2.4	9 / 2.7	2 / 0.6	1 / 0.3
2"	DN50	1 / 0.3	10 / 3.1	11 / 3.4	2 / 0.6	1 / 0.3
2 1/2"	DN65	2 / 0.6	12 / 3.7	12 / 3.7	3 / 0.9	2 / 0.6
3"	DN80	2 / 0.6	15 / 4.6	13 / 4.0	4 / 1.2	2 / 0.6



Female Adapter (Metal Thread Insert)

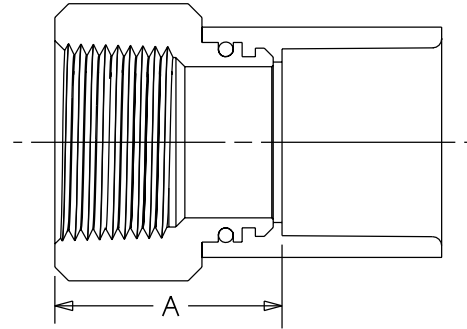
Socket x NPT Thread

Technical Features

- **Sizes Available (Nominal)** : 3/4" (DN20) through 2" (DN50) pipe diameters.
- **Environmental Specifications** : Indoor use only.
Maximum Ambient Temperature : 150°F (65°C)
- **Pressure Data** : Working Pressure : 175 PSI (12.1 bar) at 150°F (65°C)
- **Threaded Connections** : 1 female threaded NPT outlet.
Note : 4235-012BS & 4235-015BS female threaded BSP.
- **Specifications** : For use with listed CPVC fire sprinkler pipe produced in Standard Dimension Ratio (SDR) 13.5, as specified in ASTM F442.

CPVC Fire Sprinkler Fittings are produced in Schedule 40 and Schedule 80 dimensions for sizes 3/4" (DN20) through 1 1/4" (DN32) and in Schedule 80 for sizes 1 1/2" (DN40) through 3" (DN80), in accordance with ASTM F437 (Schedule 80 Threaded Fittings), ASTM F438 (Socket type Schedule 40) and ASTM F439 (Schedule 80 Fittings), as applicable. These products are UL Listed and FM Approved for a rated working pressure of 175 psi (12.1 bar) at 150°F (65°C) for sprinkler service.

Approved for National Sanitation Foundation (NSF) potable water services and complies with WRAS requirements for cold water use.



* LPCB Approved up to and including 2"

Female Adapter (Metal Thread Insert) - Socket x NPT Thread

Physical Data

Nominal Pipe Size		Dimensions (mm / inch)	Approx. Weight (lbs. / kgs.)	Part Number
inch	metric	A		
3/4"	DN20	/ 1.19	0.28 / 0.127	V5003BI-007
1"	DN25	/ 1.59	0.63 / 0.286	V5003BI-010
1 1/4"	DN32	/ 1.97	1.07 / 0.485	V5003BI-012
1 1/2"	DN40	/ 1.98	1.33 / 0.603	V5003BI-015
2"	DN50	/ 1.99	2.00 / 0.907	V5003BI-020

CPVC Fittings

Allowances for Friction Loss in Fittings

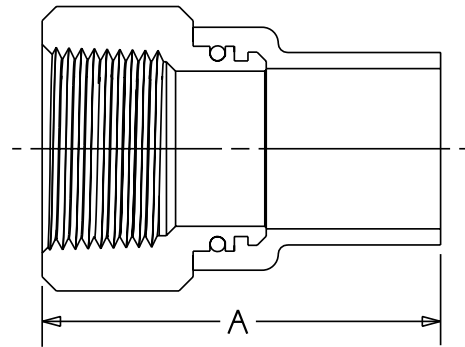
Nominal Pipe Size		Equivalent Feet / Meters of Pipe				
inch	metric	Tee Run	Tee Branch	90° Elbow	45° Elbow	Coupling
3/4"	DN20	1 / 0.3	3 / 0.9	7 / 2.1	1 / 0.3	1 / 0.3
1"	DN25	1 / 0.3	5 / 1.5	7 / 2.1	1 / 0.3	1 / 0.3
1 1/4"	DN32	1 / 0.3	6 / 1.8	8 / 2.4	2 / 0.6	1 / 0.3
1 1/2"	DN40	1 / 0.3	8 / 2.4	9 / 2.7	2 / 0.6	1 / 0.3
2"	DN50	1 / 0.3	10 / 3.1	11 / 3.4	2 / 0.6	1 / 0.3
2 1/2"	DN65	2 / 0.6	12 / 3.7	12 / 3.7	3 / 0.9	2 / 0.6
3"	DN80	2 / 0.6	15 / 4.6	13 / 4.0	4 / 1.2	2 / 0.6



Female Adapter - (Metal Thread Insert)
Spigot x NPT Thread

Technical Features

- **Sizes Available (Nominal)** : Female Adapter : 3/4" (DN20) and 1" (DN25) pipe diameters.
- **Environmental Specifications** : Indoor use only.
Maximum Ambient Temperature : 150°F (65°C) at 150°F (65°C)
- **Pressure Data** : Working Pressure : 175 PSI (12.1 bar)
- **Threaded Connections** : 1 female threaded NPT outlet.
- **Specifications** : For use with listed CPVC fire sprinkler pipe produced in Standard Dimension Ratio (SDR) 13.5, as specified in ASTM F442.
CPVC Fire Sprinkler Fittings are produced in Schedule 40 and Schedule 80 dimensions for sizes 3/4" (DN20) through 1 1/4" (DN32) and in Schedule 80 for sizes 1 1/2" (DN40) through 3" (DN80), in accordance with ASTM F437 (Schedule 80 Threaded Fittings), ASTM F438 (Socket type Schedule 40) and ASTM F439 (Schedule 80 Fittings), as applicable. These products are UL Listed and FM Approved for a rated working pressure of 175 psi (12.1 bar) at 150°F (65°C) for sprinkler service. Approved for National Sanitation Foundation (NSF) potable water services and complies with WRAS requirements for cold water use.



* LPCB Approved up to and including 2"

Female Adapter - (Metal Thread Insert) - Spigot x NPT Thread

Physical Data

Nominal Pipe Size		Dimensions (mm / inch)	Approx. Weight (lbs. / kgs.)	Part Number
inch	metric	A		
3/4"	DN20	/ 2.00	0.28 / 0.127	V50032BI-007
1"	DN25	/ 2.72	0.61 / 0.277	V50032BI-010

CPVC Fittings

Allowances for Friction Loss in Fittings

Nominal Pipe Size		Equivalent Feet / Meters of Pipe				
inch	metric	Tee Run	Tee Branch	90° Elbow	45° Elbow	Coupling
3/4"	DN20	1 / 0.3	3 / 0.9	7 / 2.1	1 / 0.3	1 / 0.3
1"	DN25	1 / 0.3	5 / 1.5	7 / 2.1	1 / 0.3	1 / 0.3
1 1/4"	DN32	1 / 0.3	6 / 1.8	8 / 2.4	2 / 0.6	1 / 0.3
1 1/2"	DN40	1 / 0.3	8 / 2.4	9 / 2.7	2 / 0.6	1 / 0.3
2"	DN50	1 / 0.3	10 / 3.1	11 / 3.4	2 / 0.6	1 / 0.3
2 1/2"	DN65	2 / 0.6	12 / 3.7	12 / 3.7	3 / 0.9	2 / 0.6
3"	DN80	2 / 0.6	15 / 4.6	13 / 4.0	4 / 1.2	2 / 0.6



Sprinkler Head Adapter - Female (Metal Thread Insert)

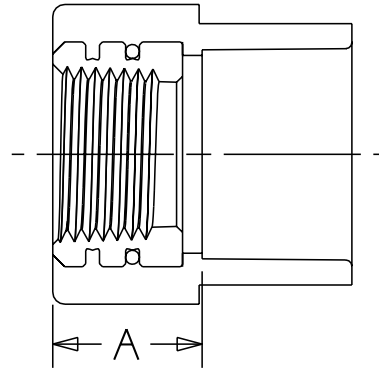
Socket x NPT Thread

Technical Features

- **Sizes Available (Nominal)** : 3/4" (DN20) pipe run x 1/2" (DN15) outlet, 1" (DN25) pipe run x 1/2" (DN15) outlet and 1" (DN25) pipe run x 3/4" (DN20) outlet.
- **Environmental Specifications** : Indoor use only.
Maximum Ambient Temperature : 150°F (65°C)
- **Pressure Data** : Working Pressure : 175 PSI (12.1 bar) at 150°F (65°C)
- **Threaded Connections** : 1 female threaded NPT outlet.
- **Specifications** : For use with listed CPVC fire sprinkler pipe produced in Standard Dimension Ratio (SDR) 13.5, as specified in ASTM F442.

CPVC Fire Sprinkler Fittings are produced in Schedule 40 and Schedule 80 dimensions for sizes 3/4" (DN20) through 1 1/4" (DN32) and in Schedule 80 for sizes 1 1/2" (DN40) through 3" (DN80), in accordance with ASTM F437 (Schedule 80 Threaded Fittings), ASTM F438 (Socket type Schedule 40) and ASTM F439 (Schedule 80 Fittings), as applicable. These products are UL Listed and FM Approved for a rated working pressure of 175 psi (12.1 bar) at 150°F (65°C) for sprinkler service.

Approved for National Sanitation Foundation (NSF) potable water services and complies with WRAS requirements for cold water use.



* LPCB Approved up to and including 2"

Sprinkler Head Adapter - Female (Metal Thread Insert) - Socket x NPT Thread

Physical Data

Nominal Pipe Size		Dimensions (mm / inch)	Approx. Weight (lbs. / kgs.)	Part Number
inch	metric	A		
3/4"	DN20 x DN15	1 / 0.75	0.18 / 0.082	V5003SBI-101
1"	DN25 x DN15	1 / 0.76	0.21 / 0.095	V5003SBI-130
1"	DN25 x DN20	1 / 0.95	0.18 / 0.082	V5003SBI-131

CPVC Fittings

Allowances for Friction Loss in Fittings

Nominal Pipe Size		Equivalent Feet / Meters of Pipe				
inch	metric	Tee Run	Tee Branch	90° Elbow	45° Elbow	Coupling
3/4"	DN20	1 / 0.3	3 / 0.9	7 / 2.1	1 / 0.3	1 / 0.3
1"	DN25	1 / 0.3	5 / 1.5	7 / 2.1	1 / 0.3	1 / 0.3
1 1/4"	DN32	1 / 0.3	6 / 1.8	8 / 2.4	2 / 0.6	1 / 0.3
1 1/2"	DN40	1 / 0.3	8 / 2.4	9 / 2.7	2 / 0.6	1 / 0.3
2"	DN50	1 / 0.3	10 / 3.1	11 / 3.4	2 / 0.6	1 / 0.3
2 1/2"	DN65	2 / 0.6	12 / 3.7	12 / 3.7	3 / 0.9	2 / 0.6
3"	DN80	2 / 0.6	15 / 4.6	13 / 4.0	4 / 1.2	2 / 0.6



Sprinkler Head Adapter - (Metal Thread Insert)

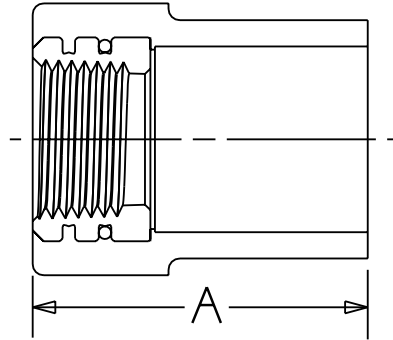
Spigot x NPT Thread

Technical Features

- **Sizes Available (Nominal)** : 3/4" (DN20) and 1" (DN25) pipe run, 1/2" (DN15) outlet.
- **Environmental Specifications** : Indoor use only.
Maximum Ambient Temperature : 150°F (65°C)
- **Pressure Data** : Working Pressure : 175 PSI (12.1 bar) at 150°F (65°C)
- **Threaded Connections** : 1 female threaded NPT outlet.
- **Specifications** : For use with listed CPVC fire sprinkler pipe produced in Standard Dimension Ratio (SDR) 13.5, as specified in ASTM F442.

CPVC Fire Sprinkler Fittings are produced in Schedule 40 and Schedule 80 dimensions for sizes 3/4" (DN20) through 1 1/4" (DN32) and in Schedule 80 for sizes 1 1/2" (DN40) through 3" (DN80), in accordance with ASTM F437 (Schedule 80 Threaded Fittings), ASTM F438 (Socket type Schedule 40) and ASTM F439 (Schedule 80 Fittings), as applicable. These products are UL Listed and FM Approved for a rated working pressure of 175 psi (12.1 bar) at 150°F (65°C) for sprinkler service.

Approved for National Sanitation Foundation (NSF) potable water services and complies with WRAS requirements for cold water use.



* LPCB Approved up to and including 2"

Sprinkler Head Adapter - (Metal Thread Insert) - Spigot x NPT Thread

Physical Data

Nominal Pipe Size		Dimensions (mm / inch)	Approx. Weight (lbs. / kgs.)	Part Number
inch	metric	A		
3/4"	DN20 x DN15	1.50	0.19 / 0.086	V50032SBI-101
1"	DN25 x DN15	1.85	0.18 / 0.082	V50032SBI-130

CPVC Fittings

Allowances for Friction Loss in Fittings

Nominal Pipe Size		Equivalent Feet / Meters of Pipe				
inch	metric	Tee Run	Tee Branch	90° Elbow	45° Elbow	Coupling
3/4"	DN20	1 / 0.3	3 / 0.9	7 / 2.1	1 / 0.3	1 / 0.3
1"	DN25	1 / 0.3	5 / 1.5	7 / 2.1	1 / 0.3	1 / 0.3
1 1/4"	DN32	1 / 0.3	6 / 1.8	8 / 2.4	2 / 0.6	1 / 0.3
1 1/2"	DN40	1 / 0.3	8 / 2.4	9 / 2.7	2 / 0.6	1 / 0.3
2"	DN50	1 / 0.3	10 / 3.1	11 / 3.4	2 / 0.6	1 / 0.3
2 1/2"	DN65	2 / 0.6	12 / 3.7	12 / 3.7	3 / 0.9	2 / 0.6
3"	DN80	2 / 0.6	15 / 4.6	13 / 4.0	4 / 1.2	2 / 0.6



Reducer Bushing

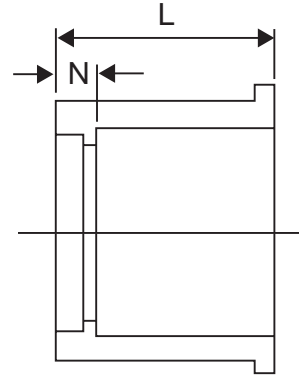
Spigot x Socket

Technical Features

- **Sizes Available (Nominal) :** 1" (DN25) through 3" (DN80) inlet, 3/4" (DN20) through 2 1/2" (DN65) outlet.
- **Environmental Specifications :** Indoor use only.
Maximum Ambient Temperature : 150°F (65°C)
- **Pressure Data :** Working Pressure : 175 PSI (12.1 bar) at 150°F (65°C)
- **Specifications :** For use with listed CPVC fire sprinkler pipe produced in Standard Dimension Ratio (SDR) 13.5, as specified in ASTM F442.

CPVC Fire Sprinkler Fittings are produced in Schedule 40 and Schedule 80 dimensions for sizes 3/4" (DN20) through 1 1/4" (DN32) and in Schedule 80 for sizes 1 1/2" (DN40) through 3" (DN80), in accordance with ASTM F437 (Schedule 80 Threaded Fittings), ASTM F438 (Socket type Schedule 40) and ASTM F439 (Schedule 80 Fittings), as applicable. These products are UL Listed and FM Approved for a rated working pressure of 175 psi (12.1 bar) at 150°F (65°C) for sprinkler service.

Approved for National Sanitation Foundation (NSF) potable water services and complies with WRAS requirements for cold water use.



* LPCB Approved up to and including 2"

Reducer Bushing - Spigot x Socket

Physical Data

Nominal Pipe Size		Dimensions (mm / inch)		Approx. Weight (lbs. / kgs.)	Part Number
inch	metric	L	N		
1" x 3/4"	DN25 x DN20	/ 1.28	/ 0.27	0.05 / 0.023	V5018-131
1 1/4" x 3/4"	DN32 x DN20	/ 1.41	/ 0.27	0.05 / 0.023	V5018-167
1 1/4" x 1"	DN32 x DN25	/ 1.41	/ 0.40	0.06 / 0.027	V5018-168
1 1/2" x 3/4"	DN40 x DN20	/ 1.53	/ 0.27	0.08 / 0.036	V5018-210
1 1/2" x 1"	DN40 x DN25	/ 1.53	/ 0.40	0.09 / 0.041	V5018-211
1 1/2" x 1 1/4"	DN40 x DN32	/ 1.53	/ 0.40	0.10 / 0.045	V5018-212
2" x 3/4"	DN50 x DN20	/ 1.66	/ 0.65	0.20 / 0.091	V5018-248
2" x 1"	DN50 x DN25	/ 1.66	/ 0.27	0.22 / 0.100	V5018-249
2" x 1 1/4"	DN50 x DN32	/ 1.66	/ 0.40	0.24 / 0.109	V5018-250
2" x 1 1/2"	DN50 x DN40	/ 1.66	/ 0.52	0.25 / 0.113	V5018-251
2 1/2" x 1 1/4"	DN65 x DN32	/ 1.94	/ 0.55	0.27 / 0.122	V5018-290
2 1/2" x 1 1/2"	DN65 x DN40	/ 1.94	/ 0.68	0.31 / 0.141	V5018-291
2 1/2" x 2"	DN65 x DN50	/ 1.94	/ 0.80	0.31 / 0.141	V5018-292
3" x 2"	DN80 x DN50	/ 2.42	/ 0.64	0.48 / 0.218	V5018-338
3" x 2 1/2"	DN80 x DN65	/ 2.42	/ 0.91	0.64 / 0.290	V5018-339

Refer to the "CPVC Equal Tee" datpage or manufacturer's installation instructions for friction loss information.



Cap
Socket

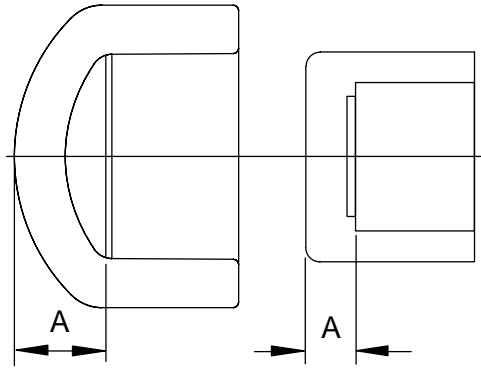
CPVC Pipe & Fittings

Technical Features

- **Sizes Available (Nominal)** : 3/4" (DN20) through 3" (DN80) pipe diameters.
- **Environmental Specifications** : Indoor use only.
Maximum Ambient Temperature : 150°F (65°C)
- **Pressure Data** : Working Pressure : 175 PSI (12.1 bar) at 150°F (65°C)
- **Specifications** : For use with listed CPVC fire sprinkler pipe produced in Standard Dimension Ratio (SDR) 13.5, as specified in ASTM F442.

CPVC Fire Sprinkler Fittings are produced in Schedule 40 and Schedule 80 dimensions for sizes 3/4" (DN20) through 1 1/4" (DN32) and in Schedule 80 for sizes 1 1/2" (DN40) through 3" (DN80), in accordance with ASTM F437 (Schedule 80 Threaded Fittings), ASTM F438 (Socket type Schedule 40) and ASTM F439 (Schedule 80 Fittings), as applicable. These products are UL Listed and FM Approved for a rated working pressure of 175 psi (12.1 bar) at 150°F (65°C) for sprinkler service.

Approved for National Sanitation Foundation (NSF) potable water services and complies with WRAS requirements for cold water use.



* LPCB Approved up to and including 2"

Cap - Socket

Physical Data

Nominal Pipe Size		Dimensions (mm / inch)	Approx. Weight (lbs. / kgs.)	Part Number
inch	metric	A		
3/4"	DN20	/ 0.31	0.08 / 0.036	V5017-007
1"	DN25	/ 0.38	0.14 / 0.064	V5017-010
1 1/4"	DN32	/ 0.40	0.20 / 0.091	V5017-012
1 1/2"	DN40	/ 0.41	0.26 / 0.118	V5017-015
2"	DN50	/ 0.42	0.38 / 0.172	V5017-020
2 1/2"	DN65	/ 0.57	0.57 / 0.259	V5017-025
3"	DN80	/ 1.26	0.87 / 0.395	V5017-030

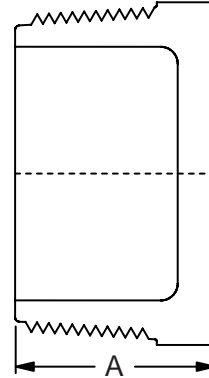


Test Plug

NPT Thread

Technical Features

- **Sizes Available (Nominal)** : 1/2" (DN15) pipe diameter.
- **Environmental Specifications** : Indoor use only.
Maximum Ambient Temperature : 150°F (65°C)
- **Pressure Data** : For pressure testing only
- **Threaded Connections** : Threaded NPT
- **Specifications** : For use with listed CPVC fire sprinkler pipe produced in Standard Dimension Ratio (SDR) 13.5, as specified in ASTM F442.
CPVC Fire Sprinkler Fittings are produced in Schedule 40 and Schedule 80 dimensions for sizes 3/4" (DN20) through 1 1/4" (DN32) and in Schedule 80 for sizes 1 1/2" (DN40) through 3" (DN80), in accordance with ASTM F437 (Schedule 80 Threaded Fittings), ASTM F438 (Socket type Schedule 40) and ASTM F439 (Schedule 80 Fittings), as applicable. This product is FM Approved for pressure testing only.
Approved for National Sanitation Foundation (NSF) potable water services and complies with WRAS requirements for cold water use.



* LPCB Approved up to and including 2"

CPVC Pipe & Fittings

Test Plug - Thread

Nominal Pipe Size		Dimensions (mm / inch)	Approx. Weight (lbs. / kgs.)	Physical Data
inch	metric	A		Part Number
1/2"	DN15	1.06	0.03 / 0.014	V450-005



Solid Flange

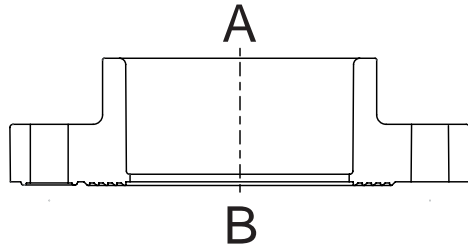
Socket

Technical Features

- **Sizes Available (Nominal)** : 3/4" (DN20) through 3" (DN80) pipe diameters.
- **Environmental Specifications** : Indoor use only.
Maximum Ambient Temperature : 150°F (65°C)
- **Pressure Data** : Working Pressure : 175 PSI (12.1 bar) at 150°F (65°C)
- **Specifications** : For use with listed CPVC fire sprinkler pipe produced in Standard Dimension Ratio (SDR) 13.5, as specified in ASTM F442.

CPVC Fire Sprinkler Fittings are produced in Schedule 40 and Schedule 80 dimensions for sizes 3/4" (DN20) through 1 1/4" (DN32) and in Schedule 80 for sizes 1 1/2" (DN40) through 3" (DN80), in accordance with ASTM F437 (Schedule 80 Threaded Fittings), ASTM F438 (Socket type Schedule 40) and ASTM F439 (Schedule 80 Fittings), as applicable. These products are UL Listed and FM Approved for a rated working pressure of 175 psi (12.1 bar) at 150°F (65°C) for sprinkler service.

Approved for National Sanitation Foundation (NSF) potable water services and complies with WRAS requirements for cold water use.



* LPCB Approved up to and including 2"

Solid Flange - Socket

Physical Data

Nominal Pipe Size		Dimensions (mm / inch)		No. of Bolt Holes	Approx. Weight (lbs. / kgs.)	Part Number
inch	metric	G	N			
3/4"	DN20	/ 0.58	/ 0.17	4	0.31 / 0.141	V5051H-007
1"	DN25	/ 0.64	/ 0.18	4	0.41 / 0.186	V5051H-010
1 1/4"	DN32	/ 0.69	/ 0.20	4	0.53 / 0.240	V5051H-012
1 1/2"	DN40	/ 0.78	/ 0.23	4	0.68 / 0.308	V5051H-015
2"	DN50	/ 0.83	/ 0.27	4	1.03 / 0.467	V5051H-020
2 1/2"	DN65	/ 0.96	/ 0.29	4	1.96 / 0.889	V5051H-025
3"*	DN80	/ 1.05	/ 0.29	4	2.08 / 0.943	V5051H-030



Union

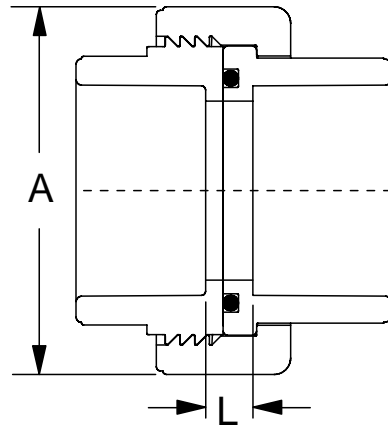
Socket x Socket

Technical Features

- **Sizes Available (Nominal) :** 3/4" (DN20) through 2" (DN50) pipe diameters.
- **Environmental Specifications :** Indoor use only.
Maximum Ambient Temperature : 150°F (65°C)
- **Pressure Data :** Working Pressure : 175 PSI (12.1 bar) at 150°F (65°C)
- **Specifications :** For use with listed CPVC fire sprinkler pipe produced in Standard Dimension Ratio (SDR) 13.5, as specified in ASTM F442.

CPVC Fire Sprinkler Fittings are produced in Schedule 40 and Schedule 80 dimensions for sizes 3/4" (DN20) through 1 1/4" (DN32) and in Schedule 80 for sizes 1 1/2" (DN40) through 3" (DN80), in accordance with ASTM F437 (Schedule 80 Threaded Fittings), ASTM F438 (Socket type Schedule 40) and ASTM F439 (Schedule 80 Fittings), as applicable. These products are UL Listed and FM Approved for a rated working pressure of 175 psi (12.1 bar) at 150°F (65°C) for sprinkler service.

Approved for National Sanitation Foundation (NSF) potable water services and complies with WRAS requirements for cold water use.



* LPCB Approved up to and including 2"

Union - Socket x Socket

Physical Data

Nominal Pipe Size		Dimensions (mm / inch)		Approx. Weight (lbs. / kgs.)	Part Number
inch	metric	A	L		
3/4"	DN20	/ 2.46	/ 0.43	0.27 / 0.122	V5033E-007
1"	DN25	/ 2.70	/ 0.43	0.40 / 0.181	V5033E-010
1 1/4"	DN32	/ 3.31	/ 0.79	0.87 / 0.395	V5033E-012
1 1/2"	DN40	/ 3.58	/ 0.80	0.93 / 0.422	V5033E-015
2"	DN50	/ 3.82	/ 0.80	1.83 / 0.830	V5033E-020
2 1/2"	DN65	/ 4.74	/ 0.93	3.47 / 1.574	V5033E-025
3"	DN80	/ 5.05	/ 1.42	3.95 / 1.792	V5033E-030

CPVC Fittings

Allowances for Friction Loss in Fittings

Nominal Pipe Size		Equivalent Feet / Meters of Pipe				
inch	metric	Tee Run	Tee Branch	90° Elbow	45° Elbow	Coupling
3/4"	DN20	1 / 0.3	3 / 0.9	7 / 2.1	1 / 0.3	1 / 0.3
1"	DN25	1 / 0.3	5 / 1.5	7 / 2.1	1 / 0.3	1 / 0.3
1 1/4"	DN32	1 / 0.3	6 / 1.8	8 / 2.4	2 / 0.6	1 / 0.3
1 1/2"	DN40	1 / 0.3	8 / 2.4	9 / 2.7	2 / 0.6	1 / 0.3
2"	DN50	1 / 0.3	10 / 3.1	11 / 3.4	2 / 0.6	1 / 0.3
2 1/2"	DN65	2 / 0.6	12 / 3.7	12 / 3.7	3 / 0.9	2 / 0.6
3"	DN80	2 / 0.6	15 / 4.6	13 / 4.0	4 / 1.2	2 / 0.6



Blind Flange

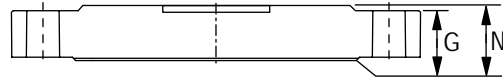
CPVC Pipe & Fittings

Technical Features

- **Sizes Available (Nominal)** : 3/4" (DN20) through 3" (DN80) pipe diameters.
- **Environmental Specifications** : Indoor use only.
Maximum Ambient Temperature : 150°F (65°C)
- **Pressure Data** : Working Pressure : 175 PSI (12.1 bar) at 150°F (65°C)
- **Specifications** : For use with listed CPVC fire sprinkler pipe produced in Standard Dimension Ratio (SDR) 13.5, as specified in ASTM F442.

CPVC Fire Sprinkler Fittings are produced in Schedule 40 and Schedule 80 dimensions for sizes 3/4" (DN20) through 1 1/4" (DN32) and in Schedule 80 for sizes 1 1/2" (DN40) through 3" (DN80), in accordance with ASTM F437 (Schedule 80 Threaded Fittings), ASTM F438 (Socket type Schedule 40) and ASTM F439 (Schedule 80 Fittings), as applicable. These products are UL Listed and FM Approved for a rated working pressure of 175 psi (12.1 bar) at 150°F (65°C) for sprinkler service.

Approved for National Sanitation Foundation (NSF) potable water services and complies with WRAS requirements for cold water use.



* LPCB Approved up to and including 2"

Blind Flange

Physical Data

Nominal Pipe Size		Dimensions (mm / inch)		No. of Bolt Holes	Approx. Weight (lbs. / kgs.)	Part Number
inch	metric	G	N			
3/4"	DN20	/ 0.58	/ 0.80	4	0.32 / 0.145	V5019H-007
1"	DN25	/ 0.64	/ 0.84	4	0.43 / 0.195	V5019H-010
1 1/4"	DN32	/ 0.69	/ 0.94	4	0.57 / 0.259	V5019H-012
1 1/2"	DN40	/ 0.78	/ 1.00	4	0.69 / 0.313	V5019H-015
2"	DN50	/ 0.83	/ 1.13	4	1.08 / 0.490	V5019H-020
2 1/2"	DN65	/ 0.96	/ 1.22	4	1.81 / 0.821	V5019H-025
3"	DN80	/ 1.05	/ 1.31	4	2.45 / 1.111	V5019H-030



Flange - Two Piece

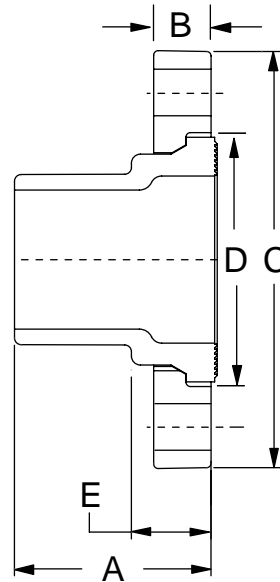
Spigot

Technical Features

- **Sizes Available (Nominal)** : 3" (DN80) pipe diameter.
- **Environmental Specifications** : Indoor use only.
Maximum Ambient Temperature : 150°F (65°C)
- **Pressure Data** : Working Pressure : 175 PSI (12.1 bar) at 150°F (65°C)
- **Specifications** : For use with listed CPVC fire sprinkler pipe produced in Standard Dimension Ratio (SDR) 13.5, as specified in ASTM F442.

CPVC Fire Sprinkler Fittings are produced in Schedule 40 and Schedule 80 dimensions for sizes 3/4" (DN20) through 1 1/4" (DN32) and in Schedule 80 for sizes 1 1/2" (DN40) through 3" (DN80), in accordance with ASTM F437 (Schedule 80 Threaded Fittings), ASTM F438 (Socket type Schedule 40) and ASTM F439 (Schedule 80 Fittings), as applicable. These products are UL Listed and FM Approved for a rated working pressure of 175 psi (12.1 bar) at 150°F (65°C) for sprinkler service.

Approved for National Sanitation Foundation (NSF) potable water services and complies with WRAS requirements for cold water use.



Flange - Two Piece - Spigot

Physical Data

Nominal Pipe Size		Dimensions (mm / inch)					No. of Bolt Holes	Approx. Weight (lbs. / kgs.)	Part Number
inch	metric	A	B	C	D	E			
3"	DN80	/ 3.05	/ 0.99	/ 7.50	/ 4.81	/ 1.16	4	1.82 / 0.826	V5051A-030