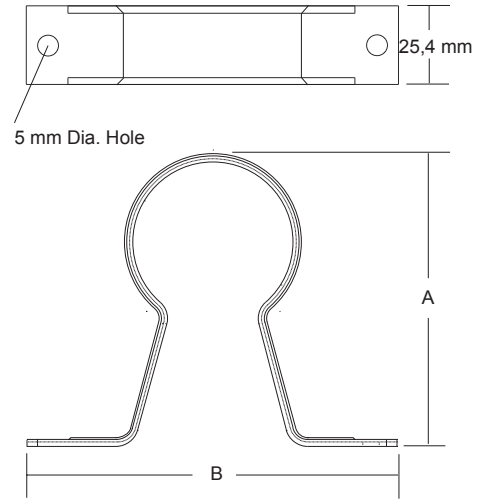




Stand-off Two-hole Strap for CPVC Pipe - SO

Technical Features

- Available for pipe sizes (Nominal) : DN20^{3/4"}, DN25^{1"}, DN32^{1 1/4"}, DN40^{1 1/2"}, DN50^{2"}.
- Material : Carbon steel
- Finish : Electro-zinc plated
- Features : Supports CPVC pipe off of the vertical face of structural or composite joists with a minimum of 0,3 mm web thickness. Flared edges protect the CPVC piping. Comply with the static load requirements of NFPA® 13



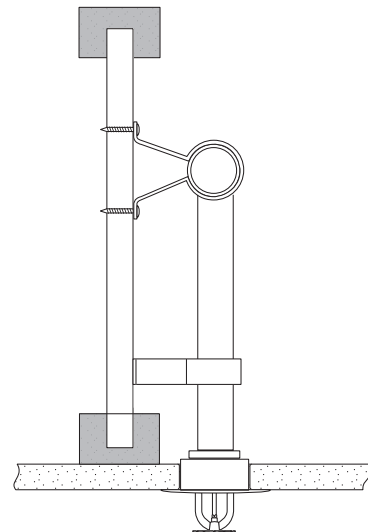
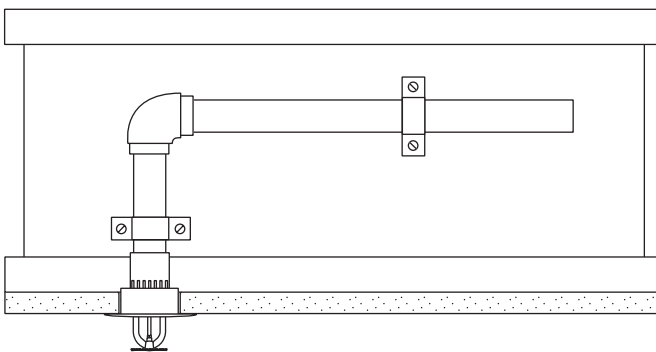
Stand-off Two-hole Strap for CPVC Pipe - SO

Physical Data

Nominal Pipe Size		Dimensions (mm)		Max. Hanger Spacing (m)	Box Quantity	Box Weight (kg)	Reference
Metric	inch	A	B				
DN20	^{3/4"}	68,3	82,6	1,70	100	3,9	597811
DN25	1"	74,6	82,6	1,80	100	4,2	597812
DN32	^{1 1/4"}	84,1	82,6	2,00	100	4,5	597813
DN40	^{1 1/2"}	90,5	114,3	2,10	100	5,4	597814
DN50	2"	103,2	127,0	2,40	100	6,2	597815

Notes

This product is intended to perform as hanger/restrainer to support CPVC piping used in sprinkler systems. The use of a cordless drill fitted with a hex socket is recommended for installation. No impact tools (such as hammers) or impact fasteners (drive screws or nails) are permitted, as they could result in damage.



Hangers for CPVC Pipe