



Waterflow Alarm Switch

VSR-SFG

Technical Features

- **Service pressure** : Up to 12 bar (175 psi)
- **Minimum Flow Rate for Alarm** : 30-38 lpm / 8-10 gpm
- **Maximum Surge** : 5.5 m/s, 18 ft/s
- **Switch Contacts** : Two sets of Single Pole Double Throw (SPDT) Form C switch contacts.
15.0 A @ 125/250 VAC and 2.0 A @ 30 VDC on resistive load.
- **Enclosure** : Cover - Die cast with red powdercoat finish
- **Connection** : Male Fitting for glueing into a CPVC plastic TEE.
- **Conduit Entrance** : Requires NEMA Type 4 conduit hub for outdoor installations. Two conduit entrances provided for DN15/ 1/2".
- **Environmental Specifications** : Indoor or outdoor use ; Temperature Range : 4.5°C (40°F) to 49°C (120°F) ; NEMA 4/IP45 Rated Enclosure - when used with proper conduit fittings. (Not for use in hazardous locations)
- **Tamper Protection** : Cover held in place by two tamper resistant screws which require a special key for removal (reference : VSRFKEY). A cover tamper switch is available as an option, which may be used to indicate unauthorized removal of the cover.
- **Usage** : Listed CPVC plastic piping systems manufactured by Spears Mfg. Corp., IPEX (Scepter), Central Sprinkler Corp. and Grinnell Sprinkler Corp. Fits pipe sizes 1", 1 1/4", 1 1/2" and 2".

Installation

This device can be mounted in a horizontal or vertical position. Do not install the device within 15cm (6") of a valve, drain, or fitting which changes the direction of the water flow. There are 7 paddles furnished with each device. The paddles have raised lettering that shows the pipe size and the TEE manufacturer they are to be used with. Select the appropriate paddle according to the pipe TEE used. The proper paddle must be used. Attach the paddle to the device as shown in Figure 3 and securely tighten the screw. Loosen the union nut and separate the 1" male fitting from the VSR-SFG. Glue the 1" male fitting into the TEE following the manufacturer's instructions for preparation and gluing of CPVC piping Systems **. Wait 2 to 4 hours to allow the glue to dry before attaching the VSR-SFG to the 1" male fitting. Mount the VSR-SFG to 1" male fitting by first verifying that the O-ring is properly positioned in its groove. Hand tighten the nut on the union after orienting the device in the appropriate direction of flow (See Fig. 2). **DO NOT OVERTIGHTEN.**

** **Note:** The 1" male fitting must bottom out on the stop of the TEE for proper operation.

IMPORTANT: The vane must not rub the inside of the TEE or bind in any way.

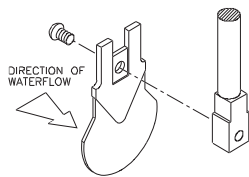
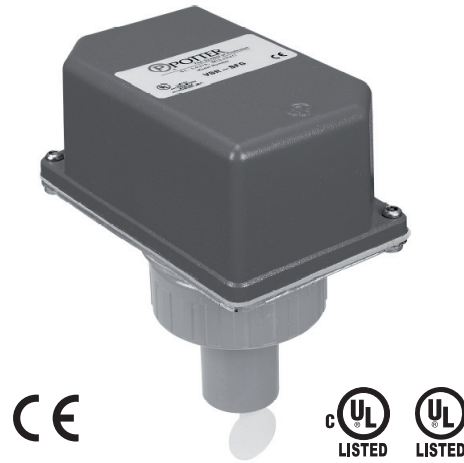


Figure 3



VSR-SFG

Physical Data

Reference	TEE Size
VSR-SFG	1" x 1" x 1"
	1 1/4" x 1 1/4" x 1"
	1 1/2" x 1 1/2" x 1"
	2" x 2" x 1"

Retard Adjustment :

To change time, turn knob (either direction) for desired time delay. Use the minimum amount of retard necessary to prevent false alarms. A "B" setting is usually adequate for this. Factory set at "B".

Approx. retard settings (sec)

0	A	B	C	D	E
0	10-25	20-40	35-55	50-70	60-90

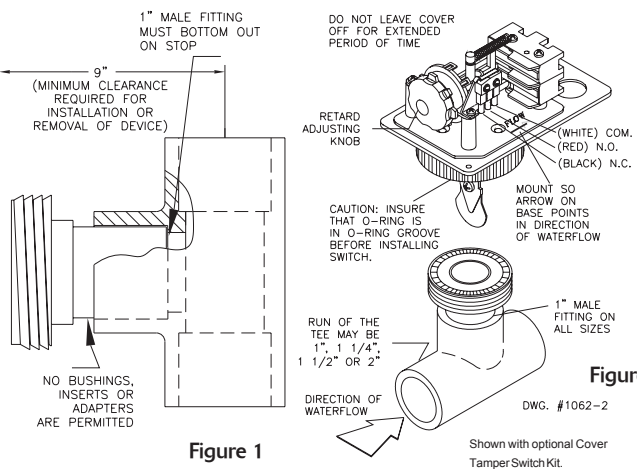


Figure 1

Figure 2