



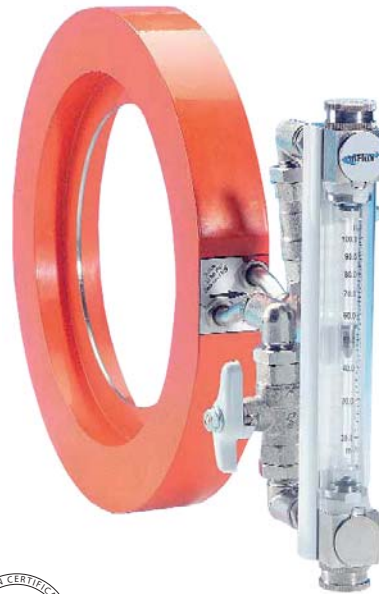
## Flowmeter - Closed Coupled

### IFM

# Flow Devices

#### Technical Features

- **Sizes available :** DN50/2", DN80/3", DN100/4", DN150/6" and DN200/8".
- **Pressure data:**  
Safe operating pressure: 16 bar (232 psi)  
Test pressure: 40 bar (580 psi)
- **Maximum operating temperature:** 90°C (194°F)
- **Connections:**
  - Flange style designed to fit between BS 4504/DIN 2501/ ISO 2084 PN10 and PN16.
  - Grooved joint dimensions are made in accordance with ANSI/AWWA C606 (Ductile iron pipe and steel pipe) and metric pipe specifications.
- **Materials:**  
**Main Orifice Carrier:**  
Flange and Groove connections, 316SS orifice in polyester coated steel  
**Indicator Assembly:**  
Nickel plated brass valves and components  
Borosilicate glass flow tube and viton seals  
Polycarbonate filter bowl and stainless steel filter element  
**Indicator Connectors:**  
Direct coupled nickel plated copper tube
- **Mounting:** Indicator is mounted directly onto main body. Suitable for use in horizontal or vertical installations.
- **Accuracy:** +/- 5% of flow reading.



#### Flowmeter - IFM

#### Physical Data

| Nominal Pipe Size |      | Pipe O.D. (mm / inch) | Flow Range           |       |         |      | Connection Type | Dimension "W" (mm) (see over) | Reference     | Weight (kg) |
|-------------------|------|-----------------------|----------------------|-------|---------|------|-----------------|-------------------------------|---------------|-------------|
| Metric            | inch |                       | dm <sup>3</sup> /min |       | gal/min |      |                 |                               |               |             |
|                   |      |                       | min                  | max   | min     | max  |                 |                               |               |             |
| DN50              | 2"   | 60.3 / 2.38           | 150                  | 700   | 40      | 185  | Flange          | 40                            | SHU046LPC050F | 3.8         |
|                   |      |                       |                      |       |         |      | Grooved         | 90                            | SHU046LPC050G | 3.9         |
| DN80              | 3"   | 88.9 / 3.50           | 300                  | 1600  | 79      | 423  | Flange          | 40                            | SHU046LPC080F | 4.8         |
|                   |      |                       |                      |       |         |      | Grooved         | 90                            | SHU046LPC080G | 4.7         |
| DN100             | 4"   | 114.3 / 4.50          | 500                  | 3500  | 132     | 925  | Flange          | 40                            | SHU046LPC100F | 6.0         |
|                   |      |                       |                      |       |         |      | Grooved         | 90                            | SHU046LPC100G | 5.5         |
| DN150             | 6"   | 165.1 / 6.50          | 900                  | 7900  | 238     | 2087 | Flange          | 40                            | SHU046LPC150F | 7.8         |
|                   |      |                       |                      |       |         |      | Grooved         | 90                            | SHU046LPC150G | 6.8         |
| DN200             | 8"   | 219.1 / 8.63          | 2000                 | 15000 | 528     | 3963 | Flange          | 40                            | SHU046LPC200F | 10.5        |
|                   |      |                       |                      |       |         |      | Grooved         | 100                           | SHU046LPC200G | 9.2         |



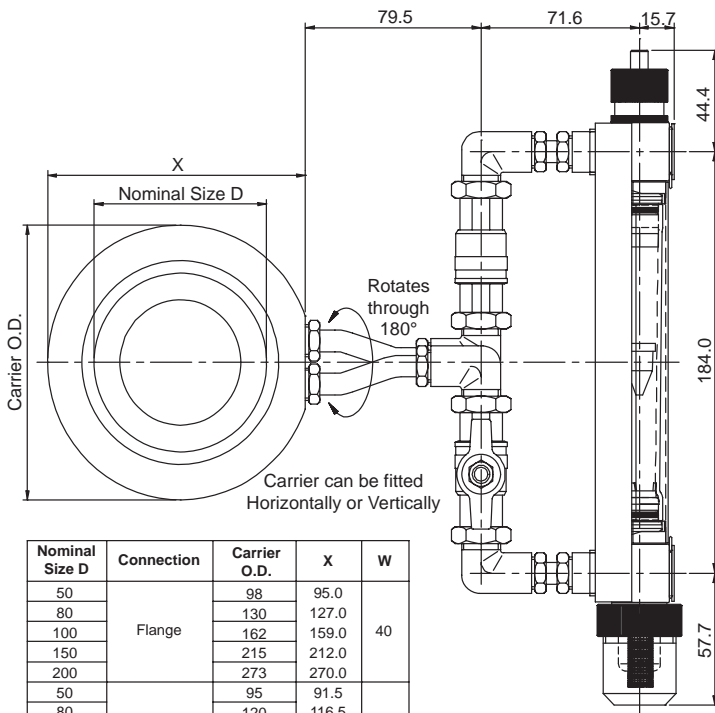
# Flowmeter - Closed Coupled

## IFM

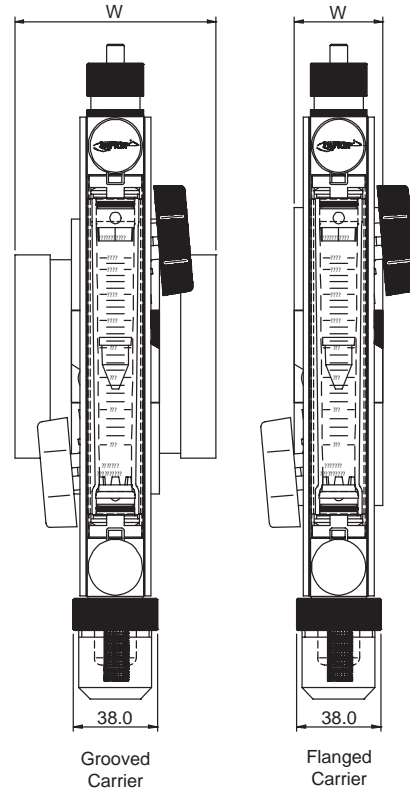
# Flow Devices

### Flowmeter - IFM

### Mounting Detail



| Nominal Size D | Connection | Carrier O.D. | X     | W  |
|----------------|------------|--------------|-------|----|
| 50             | Flange     | 98           | 95.0  | 40 |
| 80             |            | 130          | 127.0 |    |
| 100            |            | 162          | 159.0 |    |
| 150            |            | 215          | 212.0 |    |
| 200            |            | 273          | 270.0 |    |
| 50             | Groove     | 95           | 91.5  | 91 |
| 80             |            | 120          | 116.5 |    |
| 100            |            | 145          | 141.5 |    |
| 150            |            | 195          | 191.5 |    |
| 200            |            | 245          | 241.5 |    |



### Flowmeter - IFM

### Typical Pipeline Configuration (Vertical or Horizontal)

