

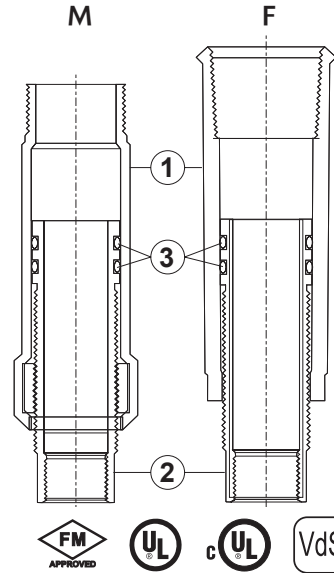


## Adjustable Drop Nipples

M/F

### Technical Features

- **Sizes Available (Nominal) :**  
Inlet pipe size : DN25/1"  
Outlet pipe size : DN15/1/2", DN20/3/4"
- **Pressure Data :**  
- Maximum Working Pressure : 20.7 bar (300 psi)
- **Finish :** Galvanised
- **Connections :** Female or male inlet threaded according to DN2999 or NPT  
Female outlet pipe threaded according to NPT



### Adjustable Drop Nipples - M/F Materials List

Item	Description	Material	Specifications
1	Outside Pipe	Steel	ASTM A-53 Grade E or F
2	Inside Pipe	Steel	ASTM A-53 Grade E or F
3	O-Rings	EPDM Rubber	Commercial

### Adjustable Drop Nipples - M/F

Physical Data

Nominal Pipe Size and Thread		Adjustment Amount (mm/ inch)	Total Range		Reference		Weight (kg/lb)
Inlet	Outlet Female Threaded		Min Length (mm/inch)	Max. Length (mm/inch)	Europe	America/Asia	
DN25 Female DIN 2999	1/2" NPT	25.4 / 1.0	88.9 / 3.5	114.3 / 4.5	F1.150BSP	511150	0.36 / 0.8
		50.8 / 2.0	114.3 / 4.5	165.1 / 6.5	F2.150BSP	512150	0.45 / 1.0
		76.2 / 3.0	139.7 / 5.5	215.9 / 8.5	F3.150BSP	523150	0.57 / 1.25
	3/4" NPT	76.2 / 3.0	150 / 6.82	220 / 10.0	F3.175BSP	523175	0.57 / 1.25
DN25 Male DIN 2999	1/2" NPT	25.4 / 1.0	104.8 / 4.13	130.2 / 5.13	M1.150BSP	551150	0.45 / 1.0
		76.2 / 3.0	155.6 / 6.13	231.8 / 9.13	MS3.150BSP	553150	0.57 / 1.25
		76.2 / 3.0	200 / 7.875	276.2 / 10.875	ME3.150BSP	563150	0.68 / 1.5
	3/4" NPT	76.2 / 3.0	150 / 6.82	220 / 10.0	F3.175	503175	0.57 / 1.25
1" Female NPT	1/2" NPT	25.4 / 1.0	88.9 / 3.5	114.3 / 4.5	F1.150	501150	0.36 / 0.8
		50.8 / 2.0	114.3 / 4.5	165.1 / 6.5	F2.150	502150	0.45 / 1.0
		76.2 / 3.0	139.7 / 5.5	215.9 / 8.5	F3.150	503150	0.57 / 1.25
	3/4" NPT	76.2 / 3.0	150 / 6.82	220 / 10.0	F3.175	503175	0.57 / 1.25
1" Male NPT	1/2" NPT	25.4 / 1.0	104.8 / 4.13	130.2 / 5.13	M1.150	531150	0.45 / 1.0
		76.2 / 3.0	155.6 / 6.13	231.8 / 9.13	MS3.150	533150	0.57 / 1.25
		76.2 / 3.0	200 / 7.875	276.2 / 10.875	ME3.150	543150	0.68 / 1.5

### Installation

**NOTE:** For use with Wet Pipe sprinkler systems only. Apply a non-hardening pipe thread sealant or Teflon tape to the sprinkler threads and tighten the sprinklers into the Inside Pipe (2) of the Adjustable Drop Nipple using an approved sprinkler wrench. Apply a non-hardening pipe thread sealant or Teflon tape to the Adjustable Drop Nipple or pipe close nipple and tighten the Adjustable Drop Nipple using a pipe wrench.

**NOTE :** Do not apply the pipe wrench to the barrel portion of the Adjustable Drop Nipple or to the sprinkler as damage to the Adjustable Drop Nipple or sprinklers may result. It is recommended that the wet pipe sprinkler system pressure be relieved (but not drained) before adjusting the Adjustable Drop Nipple. After the ceiling has been installed adjust the sprinkler to its final position using the special sprinkler wrench and assemble the escutcheon plate to the inner support ring.