



Test and Drain

1000

Technical Features

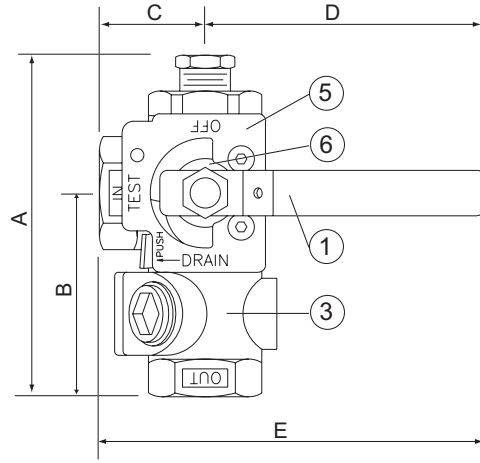
- **Sizes available (Nominal) :** DN20^{3/4"}, DN25^{1"}, DN32^{1 1/4"}, DN80^{1 1/2"} and DN50^{2"}, .
- **Pressure data :**
Working pressure : 20.7 bar (300 psi).
- **Connections :** Threaded NPT or BSP.

Test and Drain -1000

Materials List

Item	Description	Material
1	Handle	Steel
2*	Ball	C.P. Bronze
3	Body	Bronze
4*	Valve Seat	Impregnated Teflon
5	Indicator Plate	Steel
6	Handle Lock	Spring Steel

* Not visible on drawing



* Except for ^{3/4"}

Test & Drain Valves

Test and Drain -1000

Physical Data

Nominal Size	Dimensions (mm/inch)					Orifice Nominal K-Factor		Reference			Weight (kg / lbs)
	A	B	C	D	E	Metric	US	NPT Thread		BSP Thread	
								Europe	America/Asia		
DN20 ^{3/4"}	128 / 5.1	89 / 3.4	45 / 1.2	117 / 4.6	162 / 6.4	40	2.8	10000750375*	10000750375*	10000750375B*	2.5 / 5.5
						57	4.2	10000750440*	10000750440*	10000750440B*	
						80	5.5	10000750500*	10000750500*	10000750500B*	
						115	8.0	10000750530*	10000750530*	10000750530B*	
DN25 1"	128 / 5.1	89 / 3.4	45 / 1.2	117 / 4.6	162 / 6.4	40	2.8	10001000375	10001000375	10001000375B	2.5 / 5.5
						57	4.2	10001000440	10001000440	10001000440B	
						80	5.5	10001000500	10001000500	10001000500B	
						115	8.0	10001000530	10001000530	10001000530B	
DN32 ^{1 1/4"}	138 / 5.4	83 / 3.3	51 / 1.9	141 / 5.6	192 / 8.5	40	2.8	10001250375	10001250375	10001250375B	2.3 / 5.1
						57	4.2	10001250440	10001250440	10001250440B	
						80	5.5	10001250500	10001250500	10001250500B	
						115	8.0	10001250530	10001250530	10001250530B	
						161	11.2	1000125ELO	1000125ELO	1000125ELOB	
DN40 ^{1 1/2"}	163 / 6.4	99 / 3.9	67 / 2.6	207 / 8.3	274 / 10.9	40	2.8	10001500375	10001500375	10001500375B	4.8 / 10.5
						57	4.2	10001500440	10001500440	10001500440B	
						80	5.5	10001500500	10001500500	10001500500B	
						115	8.0	10001500530	10001500530	10001500530B	
						161	11.2	1000150ELO	1000150ELO	1000150ELOB	
DN50 2"	163 / 6.4	99 / 3.9	67 / 2.6	207 / 8.3	274 / 10.9	40	2.8	10002000375	10002000375	10002000375B	4.5 / 10.0
						57	4.2	10002000440	10002000440	10002000440B	
						80	5.5	10002000500	10002000500	10002000500B	
						115	8.0	10002000530	10002000530	10002000530B	
						161	11.2	1000200ELO	1000200ELO	1000200ELOB	
						202	14.0	1000200ESFR	1000200ESFR	1000200ESFRB	

* UL Listed only