



## TECHNICAL DATA

**QR FUSIBLE ELEMENT  
UPRIGHT AND PENDENT  
SPRINKLERS (PART NOS. 13956,  
13959, 17535, AND 17536)**

The Viking Corporation, 210 N Industrial Park Drive, Hastings MI 49058


Telephone: 269-945-9501 Technical Services: 877-384-5464 Fax: 269-818-1680 Email: techsvcs@vikingcorp.com

### 1. DESCRIPTION

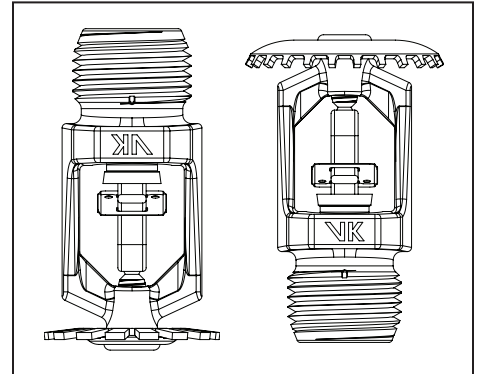
Viking Quick Response Fusible Element Upright and Pendent Sprinklers are small thermosensitive solder link spray sprinklers available with various finishes and temperature ratings to meet design requirements. The special Polyester and Polytetrafluoroethylene (PTFE) coatings can be used in decorative applications where colors are desired.

### 2. LISTINGS AND APPROVALS

 **cULus Listed:** Category VNIV

 **FM Approved:** Classes 2002 and 2020

Refer to Approval Chart 1 and Design Criteria on page 42k for cULus Listing requirements, and refer to Approval Chart 2 and Design Criteria on page 42l for FM Approval requirements that must be followed.



### 3. TECHNICAL DATA

#### Specifications:

Available since 2007.  
Minimum Operating Pressure: 7 psi (0.5 bar)  
Rated to 175 psi (12 bar) water working pressure  
Factory tested hydrostatically to 500 psi (34.5 bar)  
Thread size: Refer to the Approval Charts  
Nominal K-Factor: Refer to the Approval Charts  
Overall Length: 2-1/4" (58 mm)

#### Material Standards:

Frame Casting: Brass UNS-C84400 or QM Brass for Sprinklers 13956 and 13959. QM Brass for Sprinklers 17535 and 17536.  
Deflector: Brass UNS-C26000 for Sprinklers 13956 and 13959. Brass UNS-C23000 or Copper UNS-C19500 for Sprinklers 17535 and 17536.  
Bushing (for Sprinklers 13956 and 13959): Brass UNS-C36000  
Fusible Element Assembly: Nickel Alloy  
Trigger and Support: Stainless Steel UNS-S31600  
Belleville Spring Sealing Assembly: Nickel Alloy, coated on both sides with PTFE Tape  
Seat and Insert Assembly: Copper UNS-C11000 and Stainless Steel UNS-S30400  
Screw: Brass UNS-C36000  
For PTFE Coated Sprinklers: Belleville Spring-Exposed, Screw-Nickel Plated, Pip Cap-PTFE Coated  
For Polyester Coated Sprinklers: Belleville Spring-Exposed

#### Ordering Information:

(Also refer to the current Viking price list.)  
Order Quick Response Fusible Element Upright and Pendent Sprinklers by first adding the appropriate suffix for the sprinkler finish and then the appropriate suffix for the temperature rating to the sprinkler base part number.

Finish Suffix: Brass = A, Chrome-Enloy® = F, White Polyester = M-/W, Black Polyester = M-/B, and Black PTFE = N  
Temperature Suffix: 165 °F (74 °C) = C, 205 °F (96 °C) = E, and 280 °F (138 °C)

For example, sprinkler VK326 with a Brass finish and a 165 °F (74 °C) temperature rating = Part No. 13956AC

#### Available Finishes And Temperature Ratings:

Refer to Table 1.  
**Accessories:** (Also refer to the "Sprinkler Accessories" section of the Viking data book.)

#### Sprinkler Wrenches:

- A. Standard Wrench: Part No. 10896W/B (available since 2000).
- B. Wrench for recessed pendent sprinklers: Part No. 13577W/B\* (available since 2006)
- C. Optional Protective Sprinkler Cap Remover/Escutcheon Installer Tool\*\* Part No. 15915 (available since 2010).

\* A 1/2" ratchet is required (not available from Viking).

\*\*Allows use from the floor by attaching a length of 1" diameter CPVC tubing to the tool. Ideal for sprinkler cabinets. Refer to Bulletin F\_051808.

#### Sprinkler Cabinets:

- A. Six-head capacity: Part No. 01724A (available since 1971)

Viking Technical Data may be found on  
The Viking Corporation's Web site at  
<http://www.vikinggroupinc.com>.  
The Web site may include a more recent  
edition of this Technical Data Page.



**TECHNICAL DATA**

**QR FUSIBLE ELEMENT  
UPRIGHT AND PENDENT  
SPRINKLERS (PART NOS. 13956,  
13959, 17535, AND 17536)**

The Viking Corporation, 210 N Industrial Park Drive, Hastings MI 49058

Telephone: 269-945-9501 Technical Services: 877-384-5464 Fax: 269-818-1680 Email: techsvcs@vikingcorp.com

B. Twelve-head capacity: Part No. 01725A (available since 1971)

**4. INSTALLATION**

Refer to appropriate NFPA Installation Standards.

**5. OPERATION**

During fire conditions, the heat-sensitive fusible element assembly disengages, releasing the seat and spring assemblies to open the waterway. Water flowing through the sprinkler orifice strikes the sprinkler deflector, forming a uniform spray pattern to extinguish or control the fire.

**6. INSPECTIONS, TESTS AND MAINTENANCE**

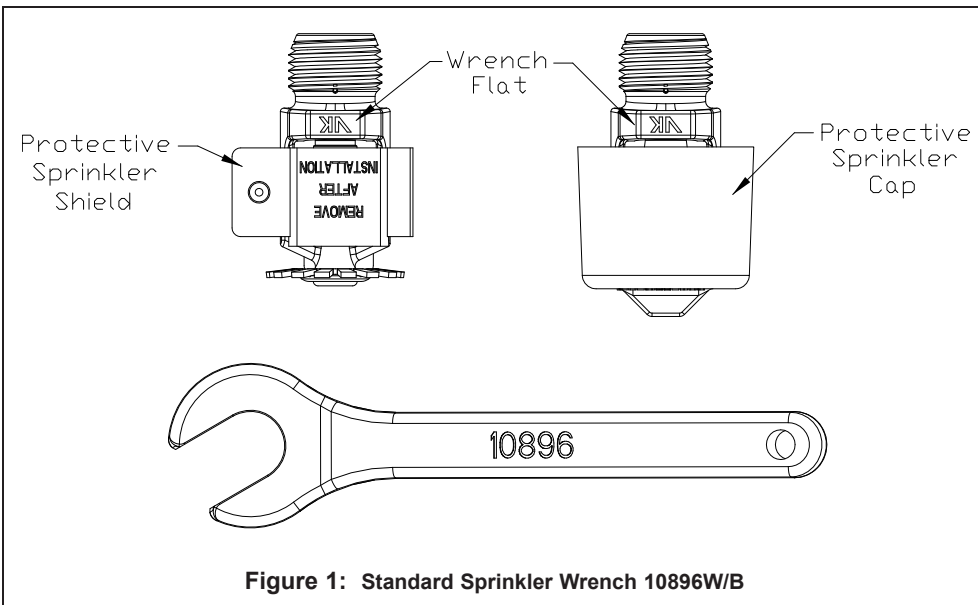
Refer to NFPA 25 for Inspection, Testing and Maintenance requirements.

**7. AVAILABILITY**

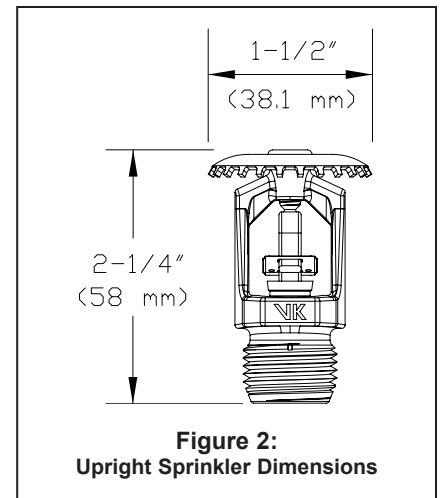
Viking Quick Response Fusible Element Upright and Pendent Sprinklers are available through a network of domestic and international distributors. See The Viking Corporation web site for the closest distributor or contact The Viking Corporation.

**8. GUARANTEE**

For details of warranty, refer to Viking's current list price schedule or contact Viking directly.



**Figure 1: Standard Sprinkler Wrench 10896W/B**



**Figure 2:  
Upright Sprinkler Dimensions**

	<b>TECHNICAL DATA</b>	<b>QR FUSIBLE ELEMENT UPRIGHT AND PENDENT SPRINKLERS (PART NOS. 13956, 13959, 17535, AND 17536)</b>
---	-----------------------	---

The Viking Corporation, 210 N Industrial Park Drive, Hastings MI 49058  
 Telephone: 269-945-9501 Technical Services: 877-384-5464 Fax: 269-818-1680 Email: techsvcs@vikingcorp.com

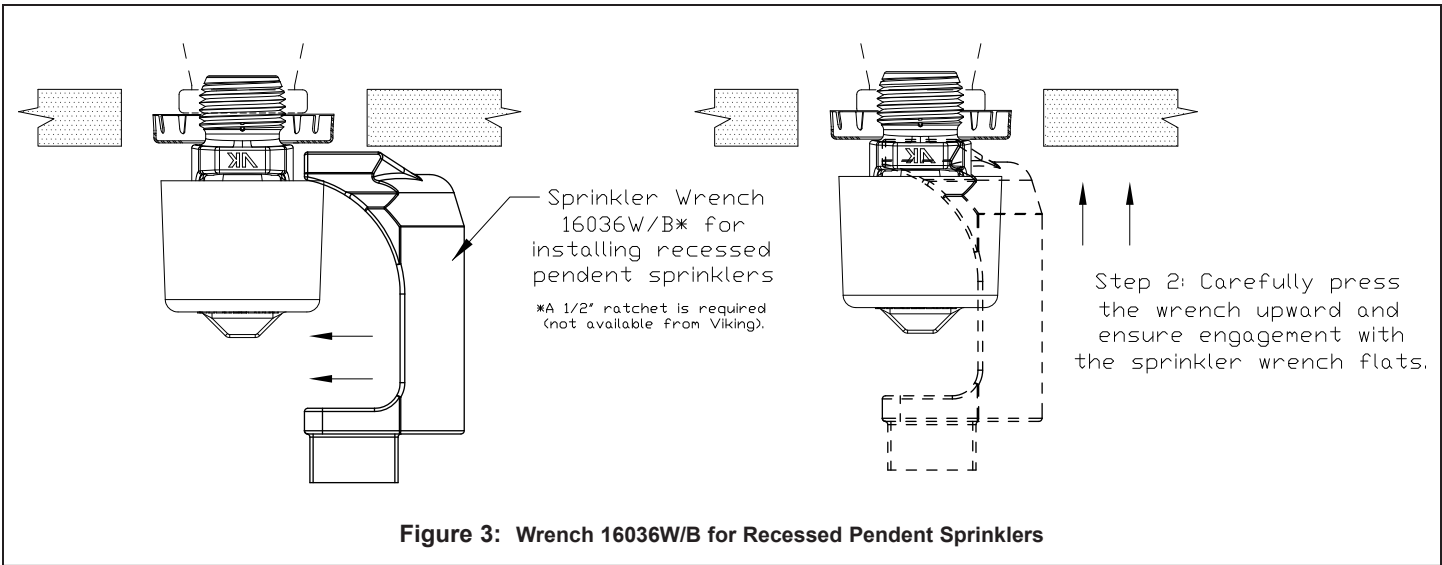
**TABLE 1: AVAILABLE SPRINKLER TEMPERATURE RATINGS AND FINISHES**

Sprinkler Temperature Classification	Sprinkler Nominal Temperature Rating <sup>1</sup>	Maximum Ambient Ceiling Temperature <sup>2</sup>	Frame Paint Color
Ordinary	165 °F (74 °C)	100 °F (38 °C)	None
Intermediate	205 °F (96 °C)	150 °F (65 °C)	White
High	280 °F (138 °C)	225 °F (107 °C)	Blue

**Sprinkler Finishes:** Brass, Chrome-Enloy®, White Polyester<sup>3</sup>, Black Polyester<sup>3</sup>, and Black PTFE<sup>3</sup>

**Footnotes**

- <sup>1</sup> Decorative sprinklers may not be color coded. The temperature rating is stamped on the deflector.
- <sup>2</sup> Based on NFPA-13. Other limits may apply, depending on fire loading, sprinkler location, and other requirements of the Authority Having Jurisdiction. Refer to specific installation standards.
- <sup>3</sup> For automatic sprinklers, the coatings indicated are applied to the exposed exterior surfaces only. Note that the spring is exposed on sprinklers with Polyester and PTFE coatings. For PTFE coated open sprinklers only, the waterway is coated.



	<h2 style="margin: 0;">TECHNICAL DATA</h2>	<p><b>QR FUSIBLE ELEMENT UPRIGHT AND PENDENT SPRINKLERS (PART NOS. 13956, 13959, 17535, AND 17536)</b></p>
---	--	--

The Viking Corporation, 210 N Industrial Park Drive, Hastings MI 49058  
 Telephone: 269-945-9501 Technical Services: 877-384-5464 Fax: 269-818-1680 Email: techsvcs@vikingcorp.com


Approval Chart 1 (UL) Quick Response Fusible Element Upright and Pendent Sprinklers Maximum 175 PSI (12 Bar) WWP															
Base Part Number <sup>1</sup>	SIN	Sprinkler Style	Thread Size		Nominal K-Factor		Overall Length		Listings and Approvals <sup>3</sup> (Refer also to Design Criteria below.)						
			NPT	BSP	U.S.	metric <sup>2</sup>	Inches	mm	cULus <sup>4</sup>	NYC	VdS	LPCB	CE	⚙️	
<b>Standard Orifice</b>															
17535	VK301	Upright	1/2"	15 mm	5.6	80.6	2-1/4	58	A1	See Footnote 5.	--	--	--	--	--
17536	VK303	Pendent	1/2"	15 mm	5.6	80.6	2-1/4	58	B1Y, A1Z	See Footnote 5.	--	--	--	--	--
<b>Small Orifice<sup>7</sup></b>															
13956 <sup>6</sup>	VK326	Upright	1/2"	15 mm	2.8	40.3	2-1/4	58	A1	See Footnote 5.	--	--	--	--	--
13959 <sup>6</sup>	VK330	Pendent	1/2"	15 mm	2.8	40.3	2-1/4	58	A1Z, B1Y	See Footnote 5.	--	--	--	--	--
<b>Approved Temperature Ratings</b>			<b>Approved Finishes</b>			<b>Approved Escutcheons</b>									
A - 165 °F (74 °C), 205 °F (96 °C), 280 °F (138 °C) B - 165 °F (74 °C) and 205 °F (96 °C)			1 - Brass, Chrome-Enloy <sup>®</sup> , White Polyester <sup>8</sup> , Black Polyester <sup>8</sup> , and Black PTFE			Y - Standard surface-mounted escutcheons or the Viking Microfast <sup>®</sup> Model F-1 Adjustable Escutcheon, or recessed with the Viking Micromatic <sup>®</sup> Model E-1 or E-2 Recessed Escutcheon Z - Standard surface-mounted escutcheons or the Viking Microfast <sup>®</sup> Model F-1 Adjustable Escutcheon									
<b>Footnotes</b>															
<sup>1</sup> Base part number shown. For complete part number, refer to Viking's current price schedule. <sup>2</sup> Metric K-factor measurement shown is when pressure is measured in Bar. When pressure is measured in kPa, divide the metric K-factor shown by 10.0. <sup>3</sup> This table shows the listings and approvals available at the time of printing. Other approvals may be in process. <sup>4</sup> Listed by Underwriters Laboratories Inc. for use in the U.S. and Canada. <sup>5</sup> Meets New York City requirements, effective July 1, 2008. <sup>6</sup> The sprinkler orifice is bushed. <sup>7</sup> Listings and Approvals limited to Light Hazard Occupancies where allowed by the installation standards being applied, with hydraulically calculated wet systems only. <sup>8</sup> Other colors are available on request with the same Listings and Approvals as the standard colors.															

**DESIGN CRITERIA - UL**  
(Also refer to Approval Chart 1 above.)

**cULus Listing Requirements:**  
 Quick Response Fusible Element Upright and Pendent Sprinklers are cULus Listed as indicated in the Approval Chart for installation in accordance with the latest edition of NFPA 13 for standard spray sprinklers.

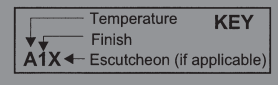
- Designed for use in Light and Ordinary Hazard occupancies. (NOTE: small orifice sprinklers are limited to Light Hazard where allowed by the installation standards being applied, with hydraulically calculated wet systems only.)
- Protection areas and maximum spacing shall be in accordance with the tables provided in NFPA 13. Maximum spacing allowed is 15 ft. (4.6 m).
- Minimum spacing allowed is 6 ft. (1.8 m) unless baffles are installed in accordance with NFPA 13.
- Minimum distance from walls is 4 in. (102 mm).
- Maximum distance from walls shall be no more than one-half of the allowable distance between sprinklers. The distance shall be measured perpendicular to the wall.
- The sprinkler installation rules contained in NFPA 13 for standard spray upright and pendent sprinklers must be followed.

**IMPORTANT: Always refer to Bulletin Form No. F\_091699 - Care and Handling of Sprinklers. Also refer to page QR1-3 for general care, installation, and maintenance information. Viking sprinklers are to be installed in accordance with the latest edition of Viking technical data, the appropriate standards of NFPA, LPCB, APSAD, VdS or other similar organizations, and also with the provisions of governmental codes, ordinances, and standards, whenever applicable.**

	<h2 style="margin: 0;">TECHNICAL DATA</h2>	<p><b>QR FUSIBLE ELEMENT UPRIGHT AND PENDENT SPRINKLERS (PART NOS. 13956, 13959, 17535, AND 17536)</b></p>
---	--	--

The Viking Corporation, 210 N Industrial Park Drive, Hastings MI 49058  
 Telephone: 269-945-9501 Technical Services: 877-384-5464 Fax: 269-818-1680 Email: techsvcs@vikingcorp.com

Approval Chart 2 (FM)										
Quick Response Fusible Element Upright and Pendent Sprinklers										
Maximum 175 PSI (12 Bar) WWP										
Base Part Number <sup>1</sup>	SIN	Sprinkler Style	Thread Size		Nominal K-Factor		Overall Length		FM Approvals <sup>3</sup> (Refer also to Design Criteria below.)	
			NPT	BSP	U.S.	metric <sup>2</sup>	Inches	mm		
<b>Standard Orifice</b>										
17535	VK301	Upright	1/2"	15 mm	5.6	80.6	2-1/4	58	A1	
17536	VK303	Pendent	1/2"	15 mm	5.6	80.6	2-1/4	58	A1Y	
<b>Small Orifice<sup>4</sup></b>										
13956 <sup>5</sup>	VK326	Upright	1/2"	15 mm	2.8	40.3	2-1/4	58	A1	
13959 <sup>5</sup>	VK330	Pendent	1/2"	15 mm	2.8	40.3	2-1/4	58	A1Z	
<b>Approved Temperature Ratings</b> A - 165 °F (74 °C), 205 °F (96 °C), and 280 °F (138 °C)				<b>Approved Finishes</b> 1 - Brass and Chrome-Enloy®			<b>Approved Escutcheons</b> Y - Standard surface-mounted escutcheons or recessed with the Viking Micromatic® Model E-1 or E-2 Recessed Escutcheon Z - Standard surface-mounted escutcheons or the Viking Microfast® Model F-1 Adjustable Escutcheon			
<b>Footnotes</b>										
<sup>1</sup> Base part number shown. For complete part number, refer to Viking's current price schedule. <sup>2</sup> Metric K-factor measurement shown is when pressure is measured in Bar. When pressure is measured in kPa, divide the metric K-factor shown by 10.0. <sup>3</sup> This table shows the FM Approvals available at the time of printing. Other approvals may be in process. <sup>4</sup> FM Approved as quick response <b>Non-Storage</b> upright and pendent sprinklers. For specific application and installation requirements, reference the latest applicable FM Loss Prevention Data Sheets (including Data Sheet 2-0). <sup>5</sup> The sprinkler orifice is bushed.										



<b>DESIGN CRITERIA - FM</b>
(Also refer to Approval Chart 2 above.)
<p><b>FM Approval Requirements:</b></p> <p>Sprinklers in Approval Chart 2 are FM Approved as quick response <b>Non-Storage</b> upright and pendent sprinklers as indicated in the FM Approval Guide. For specific application and installation requirements, reference the latest applicable FM Loss Prevention Data Sheets (including Data Sheet 2-0). FM Global Loss Prevention Data Sheets contain guidelines relating to, but not limited to: minimum water supply requirements, hydraulic design, ceiling slope and obstructions, minimum and maximum allowable spacing, and deflector distance below the ceiling.</p> <p><b>NOTE: The FM installation guidelines may differ from cULus and/or NFPA criteria.</b></p>
<p><b>IMPORTANT: Always refer to Bulletin Form No. F_091699 - Care and Handling of Sprinklers. Also refer to page QR1-3 for general care, installation, and maintenance information. Viking sprinklers are to be installed in accordance with the latest edition of Viking technical data, the appropriate standards of NFPA, FM Global, LPCB, APSAD, VdS or other similar organizations, and also with the provisions of governmental codes, ordinances, and standards, whenever applicable.</b></p>



**TECHNICAL DATA**

**QR FUSIBLE ELEMENT UPRIGHT AND PENDENT SPRINKLERS (PART NOS. 13956, 13959, 17535, AND 17536)**

The Viking Corporation, 210 N Industrial Park Drive, Hastings MI 49058

Telephone: 269-945-9501 Technical Services: 877-384-5464 Fax: 269-818-1680 Email: techsvcs@vikingcorp.com

