



## TECHNICAL DATA

**CCCF APPROVED STANDARD  
RESPONSE SPRINKLER**  
(PART NUMBER 12727FB)

The Viking Corporation, 210 N Industrial Park Drive, Hastings MI 49058

Telephone: 269-945-9501 Technical Services: 877-384-5464 Fax: 269-818-1680 Email: techsvcs@vikingcorp.com

### 1. DESCRIPTION

Viking CCCF Approved Standard Response Pendent Sprinkler Part Number 12727 is a small, thermosensitive, glass-bulb spray sprinkler available with a 155 °F temperature rating and chrome finish.

### 2. LISTINGS AND APPROVALS

**CCCF Approved:** Approved by the China Certification Center for Fire Products (CCCF), Standard GB5135-1993.

Refer to the Approval Chart on page 10c and Design Criteria on page 10d.

### 3. TECHNICAL DATA

#### Specifications:

Available since 2004.

Minimum Operating Pressure: 7 psi (0.5 bar)

Rated to 175 psi (12 bar) water working pressure.

Factory tested hydrostatically to 500 psi (34.5 bar)

Thread size: 1/2" NPT (15 mm BSP)

Nominal K-Factor: 5.6 U.S. (80.6 metric\*)

\*Metric K-factor measurement shown is when pressure is measured in Bar. When pressure is measured in kPa, divide the metric K-factor shown by 10.0.

Glass-bulb fluid temperature rated to -65 °F (-55 °C)

Overall Length: 2-1/4" (58 mm)

#### Material Standards:

Frame Casting: Brass UNS-C84400

Deflector: Phosphor Bronze UNS-C51000 or Copper UNS-C19500

Bulb: Glass, nominal 5 mm diameter

Belleville Spring Sealing Assembly: Nickel Alloy, coated on both sides with Teflon Tape

Screw: Brass UNS-C36000

Pip Cap and Insert Assembly: Copper UNS-C11000 and Stainless Steel UNS-S30400

**Ordering Information:** (Also refer to the current Viking price list.)

Order Standard Response Pendent Sprinkler 12727FB

#### Available Finishes And Temperature Ratings:

Chrome-Enloy® with a 155 °F (68 °C) temperature rating.

**Accessories:** (Also refer to the "Sprinkler Accessories" section of the Viking data book.)

#### Sprinkler Wrenches:

A. Standard Wrench: Part No. 10896W/B (available since 2000).

B. Wrench for Recessed Pendent Sprinklers: Part No. 16036W/B\*\* (available since 2011)

C. Optional Protective Sprinkler Cap Remover/Escutcheon Installer Tool\*\*\* Part No. 15915 (available since 2010.)

\*\*A 1/2" ratchet is required (not available from Viking).

\*\*\*Allows use from the floor by attaching a length of 1" diameter CPVC tubing to the tool. Ideal for sprinkler cabinets. Refer to Bulletin F\_051808.

#### Sprinkler Cabinets:

A. Six-head capacity: Part No. 01724A (available since 1971)

B. Twelve-head capacity: Part No. 01725A (available since 1971)

### 4. INSTALLATION

Refer to appropriate Installation Standards.

### 5. OPERATION

During fire conditions, the heat-sensitive liquid in the glass bulb expands, causing the glass to shatter, releasing the pip cap and sealing spring assembly. Water flowing through the sprinkler orifice strikes the sprinkler deflector, forming a uniform spray pattern to extinguish or control the fire.



Viking Technical Data may be found on  
The Viking Corporation's Web site at  
<http://www.vikinggroupinc.com>.  
The Web site may include a more recent  
edition of this Technical Data Page.

<h1>VIKING</h1>	<h2>TECHNICAL DATA</h2>	<b>CCCF APPROVED STANDARD RESPONSE SPRINKLER (PART NUMBER 12727FB)</b>
-----------------	-------------------------	--

The Viking Corporation, 210 N Industrial Park Drive, Hastings MI 49058

Telephone: 269-945-9501 Technical Services: 877-384-5464 Fax: 269-818-1680 Email: techsvcs@vikingcorp.com

**6. INSPECTIONS, TESTS AND MAINTENANCE**

Refer to NFPA 25 for Inspection, Testing and Maintenance requirements.

**7. AVAILABILITY**

Viking Standard Response Pendent Sprinklers are available through a network of domestic and international distributors. See The Viking Corporation web site for the closest distributor or contact The Viking Corporation.

**8. GUARANTEE**

For details of warranty, refer to Viking's current list price schedule or contact Viking directly.

**TABLE 1: AVAILABLE SPRINKLER TEMPERATURE RATINGS AND FINISHES**

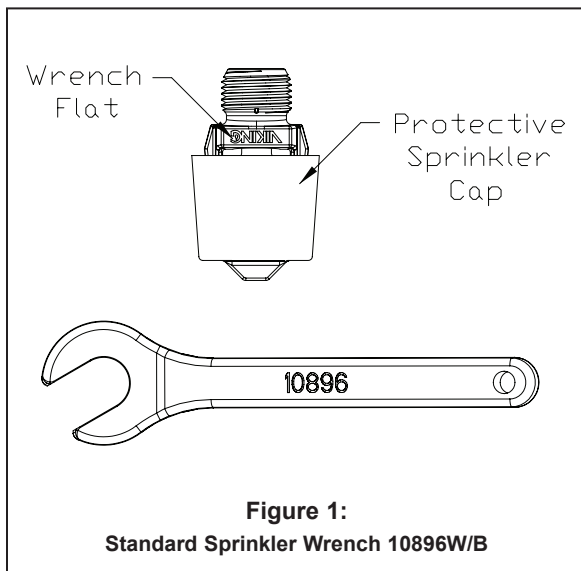
Sprinkler Temperature Classification	Sprinkler Nominal Temperature Rating <sup>1</sup>	Maximum Ambient Ceiling Temperature <sup>2</sup>	Bulb Color
Ordinary	155 °F (68 °C)	100 °F (38 °C)	Red

**Sprinkler Finish:** Chrome-Enloy®

**Footnotes**

<sup>1</sup> The sprinkler temperature rating is stamped on the deflector.

<sup>2</sup> Based on NFPA-13. Other limits may apply, depending on fire loading, sprinkler location, and other requirements of the Authority Having Jurisdiction. Refer to specific installation standards.

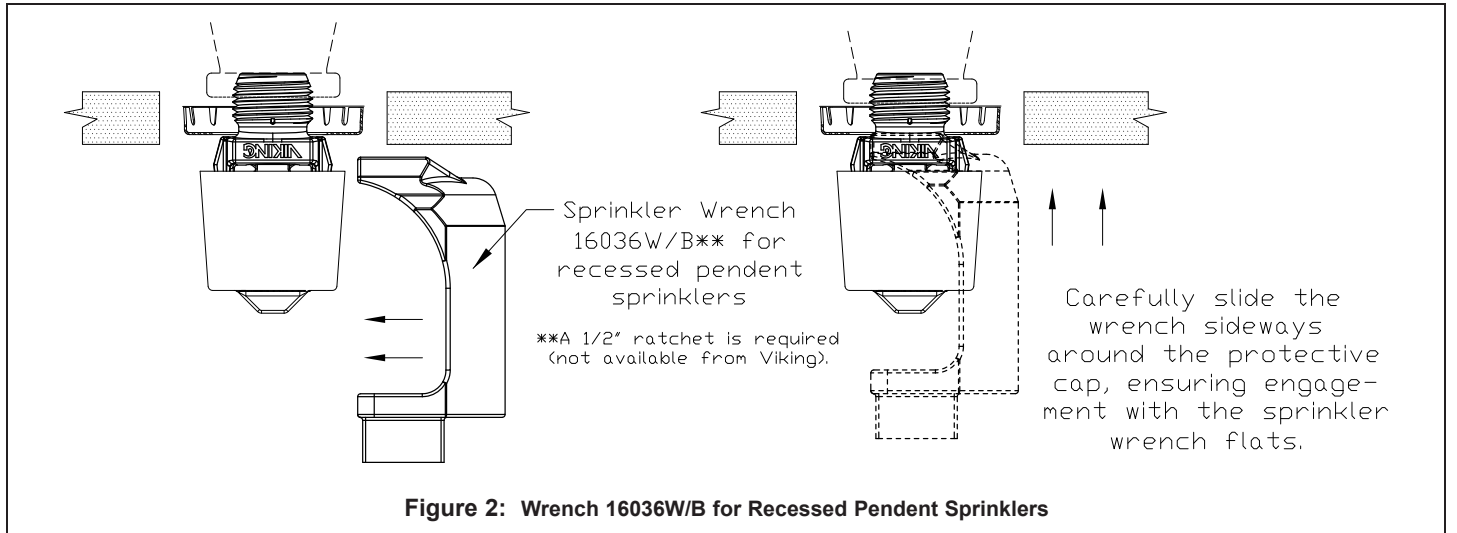


	<b>TECHNICAL DATA</b>	<b>CCCF APPROVED STANDARD RESPONSE SPRINKLER (PART NUMBER 12727FB)</b>
---	-----------------------	--

The Viking Corporation, 210 N Industrial Park Drive, Hastings MI 49058  
 Telephone: 269-945-9501 Technical Services: 877-384-5464 Fax: 269-818-1680 Email: techsvcs@vikingcorp.com

<b>Approval Chart</b> CCCF Approved Standard Response Pendant Sprinkler 12727FB Maximum 175 PSI (12 bar) WWP													
Sprinkler Part Number	SIN	Thread Size		Nominal K-Factor		Overall Length		Listings and Approvals <sup>2</sup> (Refer also to Design Criteria on page 10d.)					
		NPT	BSP	U.S.	metric <sup>1</sup>	Inches	mm	CCCF Approval <sup>3</sup>	cULus	FM	NYC	VdS	LPCB
12727FB	--	1/2"	15 mm	5.6	80.6	2-1/4"	58	A1X	--	--	--	--	--
<b>Approved Temperature Rating</b> A - 155 °F (68 °C)				<b>Approved Finish</b> 1 - Chrome-Enloy®				<b>Approved Escutcheons</b> X - Standard surface-mounted escutcheons or the Microfast® Model F-1 Adjustable Escutcheon, or recessed with the Micromatic® Model E-1 or E-2 Recessed Escutcheon					
<b>Footnotes</b>													
<sup>1</sup> Metric K-factor shown is for use when pressure is measured in bar. When pressure is measured in kPa, divide the metric K-factor shown by 10.0. <sup>2</sup> This table shows the listings and approvals available at the time of printing. Check with the manufacturer for any additional approvals. <sup>3</sup> Approved, China Certification Center for Fire Products (CCCF), standard GB5135-1993.													

Temperature	KEY
Finish	
A1X ← Escutcheon (if applicable)	



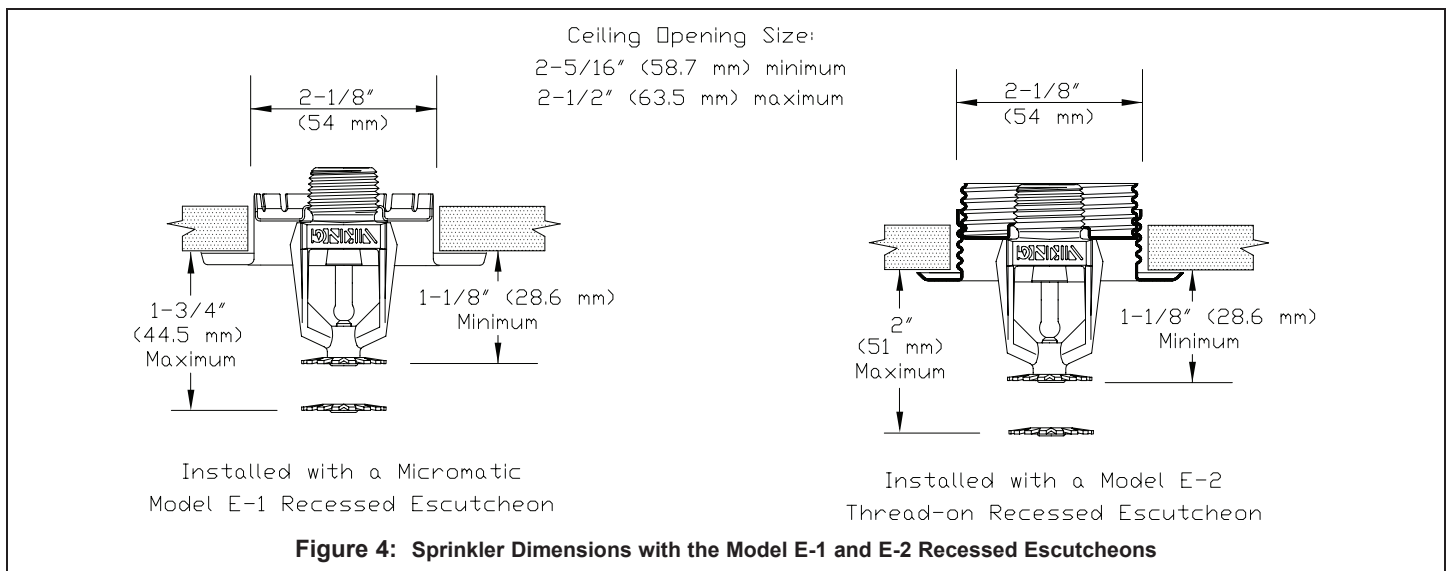
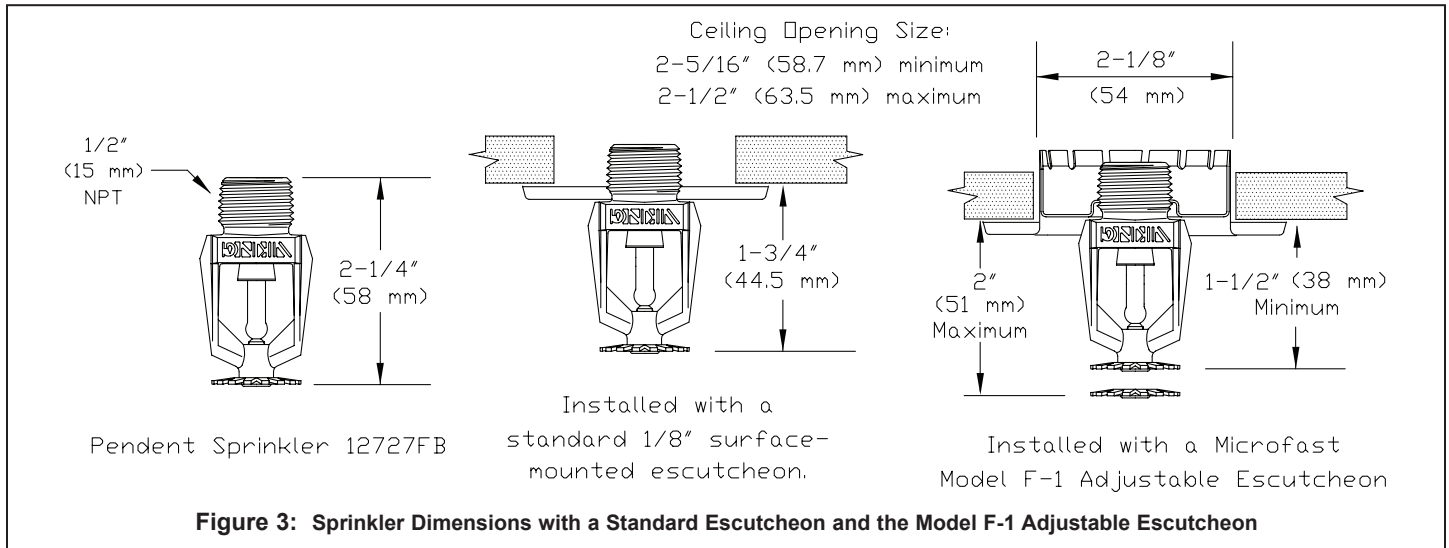


**TECHNICAL DATA**

**CCCF APPROVED STANDARD  
RESPONSE SPRINKLER  
(PART NUMBER 12727FB)**

**The Viking Corporation, 210 N Industrial Park Drive, Hastings MI 49058**

**Telephone: 269-945-9501 Technical Services: 877-384-5464 Fax: 269-818-1680 Email: techsvcs@vikingcorp.com**



**DESIGN CRITERIA**

(Also refer to the Approval Chart on page 10c.)

**Approval Requirements:**

Standard Pendent Sprinkler 12727FB is CCCF Approved, China Certification Center for Fire Products, standard GB5135-1993.

- Designed for use in Light, Ordinary, and Extra Hazard occupancies.
- The sprinkler installation rules contained in the appropriate installation standards must be followed.
- **Spacing Requirements:** Maximum spacing 15 ft. (4.6 m), minimum spacing 6 ft. (1.8 m).

**IMPORTANT: Always refer to Bulletin Form No. F\_091699 - Care and Handling of Sprinklers. Also refer to page SR1-3 for general care, installation, and maintenance information. Viking sprinklers are to be installed in accordance with the latest edition of Viking technical data, the appropriate standards of NFPA, CCCF, FM Global, LPCB, APSAD, VdS or other similar organizations, and also with the provisions of governmental codes, ordinances, and standards, whenever applicable.**