

	<h2 style="margin: 0;">TECHNICAL DATA</h2>	<h3 style="margin: 0;">J-1 WET ALARM VALVE WITH EUROTRIM FOR GERMAN-FINLAND MARKET</h3>
---	--	---

Viking Nordic A, Staffans Väg 5, S-192 78 Sollentuna
Telephone: +46-8-594-415-90 Fax: +46-8-591-280-18 Email: vikingsweden@vikingcorp.com



1. DESCRIPTION

The Viking Model J-1 Alarm Check Valve serves as a check valve by trapping pressurized water above the clapper and preventing reverse flow from sprinkler piping. The valve is designed to initiate an alarm during a sustained flow of water (such as the flow required by an open sprinkler) by operating an optional water motor alarm and/or alarm pressure switch. The valve is made suitable for use on variable pressure water supplies by adding the optional retard chamber to the standard trim.

2. LISTINGS AND APPROVALS



Viking Technical Data may be found on
 The Viking Corporation's Web site at
<http://www.vikinggroupinc.com>.
 The Web site may include a more recent
 edition of this Technical Data Page.

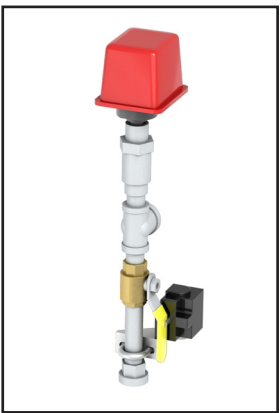
3. ORDERING INFORMATION

To order a Viking Eurotrim follow our three step selection process:

Step 1: Base Valve and Trim	TABLE 1: VALVE SIZES AND END CONNECTIONS						
	End Connections	End Connection Types	3"	4"	6"		8"
			DN80 89 mm	DN100 114 mm	DN150		DN200 219 mm
			165 mm	168 mm			
Flange-Flange	ANSI	ET08235	ET08238	ET08241		ET08244	
	PN10	ET09108	ET09109	ET09110		ET09111	
	PN16					ET12388	
Flange-Groove	ANSI	ET08236	ET08239	--	ET08242	ET08245	
	PN10	ET09535	ET09536	--	ET09874	ET09877	
	PN16			ET12389			
Groove-Groove	--	ET08237	ET08240	ET09405	ET08243	ET08246	



Step 2: Alarm Trim	TABLE 2: ALARM TRIM	
	Part Number	Approval Type
	19417	German-Finland Market

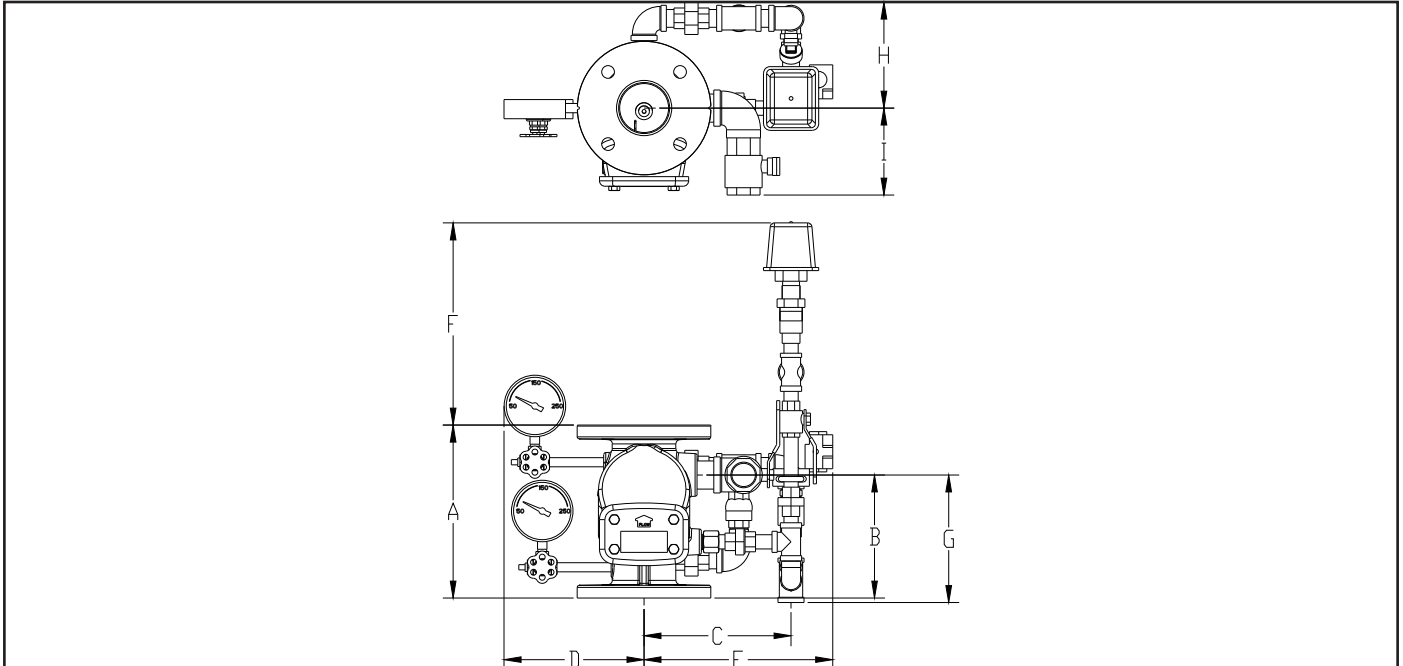


Step 3: Optional Components	TABLE 3: OPTIONAL COMPONENTS	
	Part Number	Component
	05904B	Retard Chamber
	880214	Monitoring Switch for Alarm Line Ball Valve
8121960050	Bracket for Monitoring Switch	

VIKING®**TECHNICAL DATA****J-1 WET ALARM VALVE
WITH EUROTRIM FOR
GERMAN-FINLAND MARKET**

Viking Nordic A, Staffans Väg 5, S-192 78 Sollentuna

Telephone: +46-8-594-415-90 Fax: +46-8-591-280-18 Email: vikingsweden@vikingcorp.com

4. DIMENSIONS

Size	A	B	C	D	E	F	G	H	I
3" DN80	258.8	184.2	220.0	209.5	282.3	302.5	190.9	158.5	130.2
4" DN100	269.9	187.3	241.0	221.6	303.3	292.6	192.4	161.1	180.2
6" DN150	339.7	257.2	243.2	244.4	305.5	239.0	246.1	185.9	180.2
8" DN200	431.8	211.1	285.7	269.8	348.0	177.0	169.9	211.3	180.2

All dimensions are approximations.

5. MOUNTING INSTRUCTIONS

- 1) Attach the gauges and their spigots to the valve (1)
- 2) Attach the base trim to the valve by tightening the three unions (2)
- 3) Attach the alarm trim to the base trim by tightening the union (3)
- 4) If a retard chamber is required the remove the 1/2" x 3/4" reducer from the alarm line (4) and insert the retard chamber. The reducer has been installed with PTFE tape to allow for easy removal.

