



TECHNICAL DATA

J-1 WET ALARM VALVE WITH EUROTRIM FOR UL-FM MARKET

Viking SA, Zone Industrielle Haneboesch, L-4562 Differdange/Niedercorn, Luxembourg
 Telephone: +352-58-37-37-1 Fax: +352-58-37-36 Email: vikinglux@vikingcorp.com



1. DESCRIPTION

The Viking Model J-1 Alarm Check Valve serves as a check valve by trapping pressurized water above the clapper and preventing reverse flow from sprinkler piping. The valve is designed to initiate an alarm during a sustained flow of water (such as the flow required by an open sprinkler) by operating an optional water motor alarm and/or alarm pressure switch. The valve is made suitable for use on variable pressure water supplies by adding the optional retard chamber to the standard trim.

2. LISTINGS AND APPROVALS



Viking Technical Data may be found on The Viking Corporation's Web site at <http://www.vikinggroupinc.com>. The Web site may include a more recent edition of this Technical Data Page.

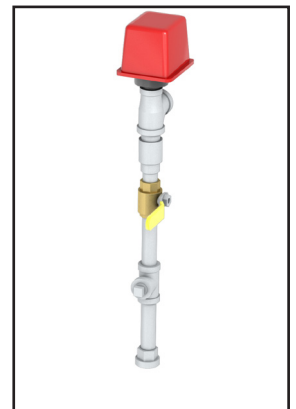
3. ORDERING INFORMATION

To order a Viking Eurotrim follow our three step selection process:

Step 1: Base Valve and Trim	TABLE 1: VALVE SIZES AND END CONNECTIONS						
	End Connections	End Connection Types	3"	4"	6"		8"
			DN80 89 mm	DN100 114 mm	DN150 165 mm 168 mm		DN200 219 mm
	Flange-Flange	ANSI	ET08235	ET08238	ET08241		ET08244
PN10		ET09108	ET09109	ET09110		ET09111	
PN16						ET12388	
Flange-Groove	ANSI	ET08236	ET08239	--	ET08242	ET08245	
	PN10	ET09535	ET09536	--	ET09874	ET09877	
	PN16					ET12389	
Groove-Groove	--	ET08237	ET08240	ET09405	ET08243	ET08246	



Step 2: Alarm Trim	TABLE 2: ALARM TRIM	
	Part Number	Approval Type
	19420	UL-FM Market



Step 3: Optional Components	TABLE 3: OPTIONAL COMPONENTS	
	Part Number	Component
	05904B	Retard Chamber
	880214	Monitoring Switch for Alarm Line Ball Valve
8121960050	Bracket for Monitoring Switch	

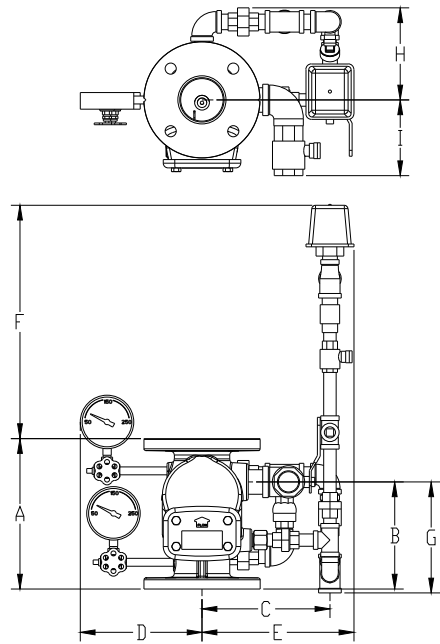


TECHNICAL DATA

J-1 WET ALARM VALVE WITH EUROTRIM FOR UL-FM MARKET

Viking SA, Zone Industrielle Haneboesch, L-4562 Differdange/Niedercorn, Luxembourg
Telephone: +352-58-37-37-1 Fax: +352-58-37-36 Email: vikinglux@vikingcorp.com

4. DIMENSIONS



Size	A	B	C	D	E	F	G	H	I
3" DN80	258.8	184.2	220.0	209.5	261.3	401.3	190.9	158.5	130.2
4" DN100	269.9	187.3	241.0	221.6	282.3	391.4	192.4	161.1	180.2
6" DN150	339.7	257.2	243.2	244.4	284.5	337.8	246.1	185.9	180.2
8" DN200	431.8	211.1	285.7	269.8	327.0	275.9	169.9	211.3	180.2

All dimensions are approximations.

5. MOUNTING INSTRUCTIONS

- 1) Attach the gauges and their spigots to the valve (1)
- 2) Attach the base trim to the valve by tightening the three unions (2)
- 3) Attach the alarm trim to the base trim by tightening the union (3)
- 4) If a retard chamber is required the remove the 1/2" x 3/4" reducer from the alarm line (4) and insert the retard chamber. The reducer has been installed with PTFE tape to allow for easy removal.

