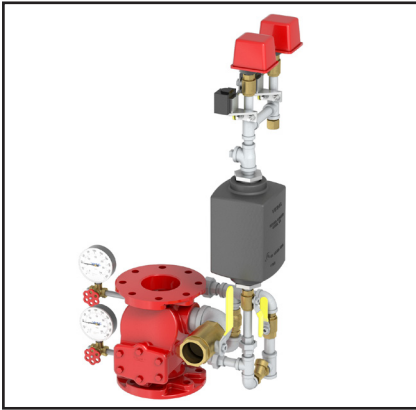




**TECHNICAL DATA**

**J-1 WET ALARM VALVE WITH EUROTRIM FOR NORWAY**

Viking Nordic AB, Staffans Väg 5, S-192 78 Sollentuna  
 Telephone: +46-8-594-415-90 Fax: +46-8-591-280-18 Email: vikingsweden@vikingcorp.com



**1. DESCRIPTION**

The Viking Model J-1 Alarm Check Valve serves as a check valve by trapping pressurized water above the clapper and preventing reverse flow from sprinkler piping. The valve is designed to initiate an alarm during a sustained flow of water (such as the flow required by an open sprinkler) by operating an optional water motor alarm and/or alarm pressure switch. The valve suitable for use on variable pressure water supplies as it includes a retard chamber as standard.

**2. LISTINGS AND APPROVALS**



Viking Technical Data may be found on The Viking Corporation's Web site at <http://www.vikinggroupinc.com>. The Web site may include a more recent edition of this Technical Data Page.

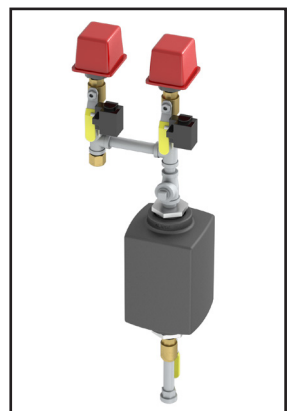
**3. ORDERING INFORMATION**

To order a Viking Eurotrim follow our three step selection process:

Step 1: Base Valve and Trim	TABLE 1: VALVE SIZES AND END CONNECTIONS						
	End Connections	End Connection Types	3"	4"	6"		8"
			DN80 89 mm	DN100 114 mm	DN150		DN200 219 mm
	Flange-Flange	ANSI	ET08235	ET08238	ET08241		ET08244
PN10		ET09108	ET09109	ET09110		ET09111	
PN16						ET12388	
Flange-Groove	ANSI	ET08236	ET08239	--	ET08242	ET08245	
	PN10	ET09535	ET09536	--	ET09874	ET09877	
	PN16					ET12389	
Groove-Groove	--	ET08237	ET08240	ET09405	ET08243	ET08246	



Step 2: Alarm Trim	TABLE 2: ALARM TRIM	
	Part Number	Approval Type
	19422	Norway Market
Note: The Norway alarm trim includes a retard chamber as standard.		



Step 3: Optional Components	TABLE 3: OPTIONAL COMPONENTS	
	Part Number	Component
	880214	Monitoring Switch for Alarm Line Ball Valve
8121960050	Bracket for Monitoring Switch	



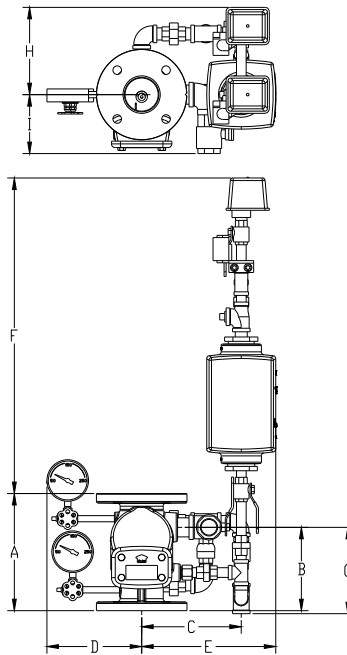
**TECHNICAL DATA**

**J-1 WET ALARM VALVE WITH EUROTRIM FOR NORWAY**

Viking Nordic AB, Staffans Väg 5, S-192 78 Sollentuna

Telephone: +46-8-594-415-90 Fax: +46-8-591-280-18 Email: vikingsweden@vikingcorp.com

**4. DIMENSIONS**



Size	A	B	C	D	E	F	G	H	I
<b>3" DN80</b>	258.8	184.2	220.0	209.5	296.2	697.1	190.9	192.9	130.2
<b>4" DN100</b>	269.9	187.3	241.0	221.6	317.2	687.2	192.4	192.9	180.2
<b>6" DN150</b>	339.7	257.2	243.2	244.4	319.4	605.4	246.1	192.9	180.2
<b>8" DN200</b>	431.8	211.1	285.7	269.8	361.9	571.6	169.9	211.3	180.2

All dimensions are approximations.

**5. MOUNTING INSTRUCTIONS**

- 1) Attach the gauges and their spigots to the valve (1)
- 2) Attach the base trim to the valve by tightening the three unions (2)
- 3) Attach the alarm trim to the base trim by tightening the union (3)

