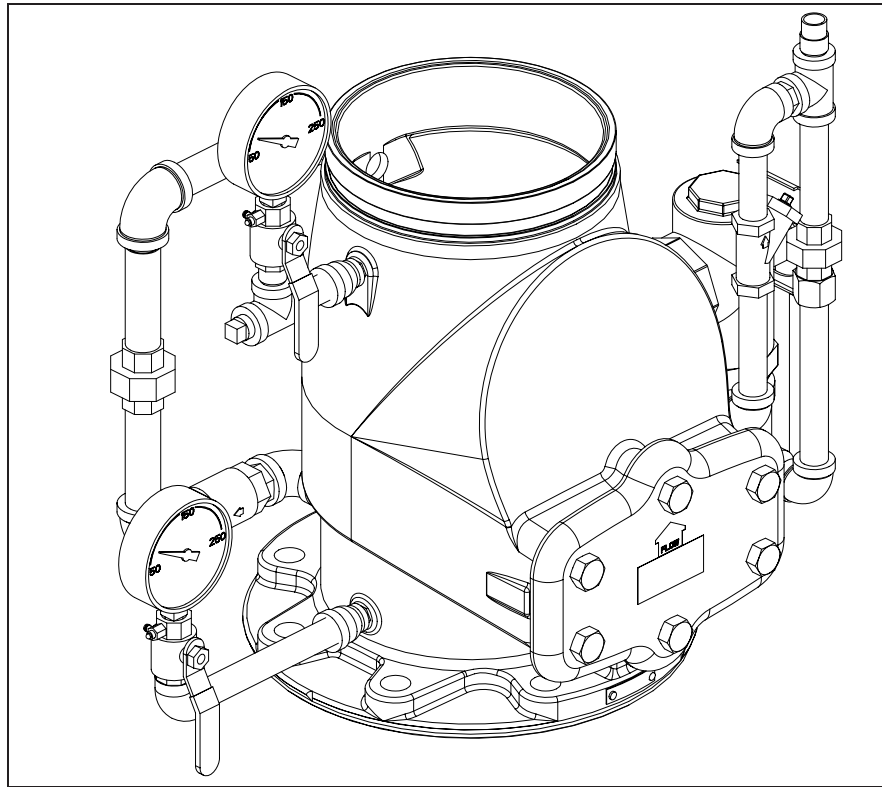




# TECHNICAL DATA

**MODEL J-1 LPCB APPROVED  
ALARM CHECK VALVE  
VERTICAL EUROPEAN TRIM**

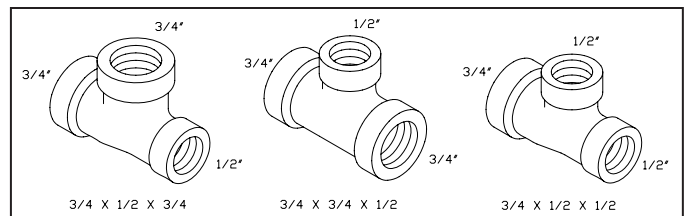


This Trim Chart is for use with the following Viking Trim Sets	
Valve Size	Galvanized
DN80	LL13511
DN100	LL13512
DN150	LL13513
DN200	LL13514
Trim Options: V - Variable Pressure C - Constant Pressure P - Extra Ports G - Extra Gauges (Required for LpC)	
Note: Trim may be ordered with base part number only, or with option code added to the end of the base part number. (Ex. LL13511-V)	

**NOTES: For use with Trim Chart on page 2.**

**General Notes:**

- Valve must be trimmed as shown. Any deviation from trim size or arrangement may affect the proper operation of the valve.
- All pipe, 3/4" (20 mm) and smaller, shall be galvanized steel except when other materials are specified in the technical data for the system used. All trim components must be listed for up to 300 PSI (20.7 bar) Water Working Pressure.
- Viking uses ANSI fitting designations. Tee's shall be called out in the following order: 1 - largest outlet on run; 2 - Smaller outlet on run; 3 - Branch size.



**Note 1:** When using a water motor alarm, a strainer is required. Circuit closer vent trim may be required when an alarm pressure switch is used. (See technical data for the retard chamber.)

**Note 2:** This location may be used for optional pressure relief valve (not available from Viking). Install 3/4" (20 mm) tee and listed pressure relief valve.

**Note 4:** Location for non-interruptible pressure switch. When waterflow through the alarm valve occurs, supply to this location cannot be shut off until water flow through the alarm valve stops.

**Note 5:** Component specified is included in Viking trim sets; do not substitute. Use of components other than specified will void any listings and approvals and may affect operation of the valve.

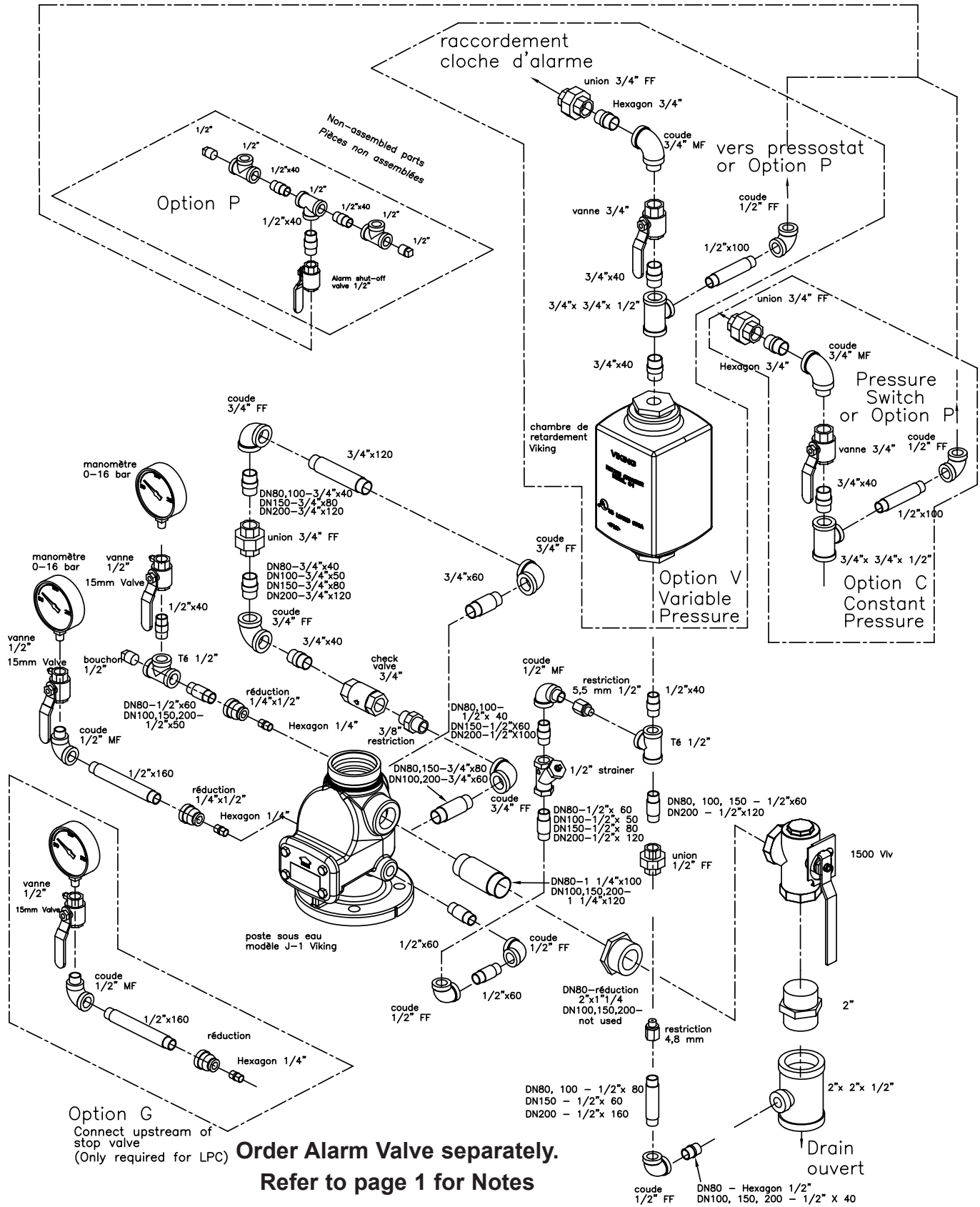
**Note 6:** 300 PSI (20.7 kPa) water pressure gauges are provided with trim. 600 PSI (41.4 bar) water pressure gauges are available. Order separately when needed\*. Refer to current Viking Price Book.

\* NFPA 13 requires gauges to have a minimum limit not less than twice the normal water working pressure at the point where the gauges are installed. When normal water working pressure exceeds 150 PSI (10.3 bar), order 600 PSI (41.4 bar) water pressure gauges separately.



# TECHNICAL DATA

**MODEL J-1 LPCB APPROVED  
ALARM CHECK VALVE  
VERTICAL EUROPEAN TRIM**

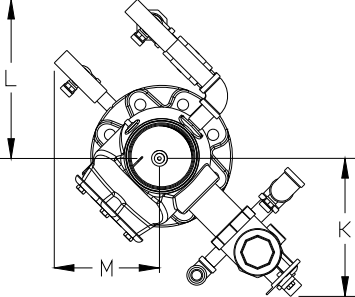


**Order Alarm Valve separately.  
Refer to page 1 for Notes**



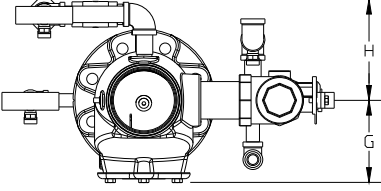
# TECHNICAL DATA

**MODEL J-1 LPCB APPROVED  
ALARM CHECK VALVE  
VERTICAL EUROPEAN TRIM**



Model J-1 Alarm Check Valve  
Vertical European Trim.  
Switches Must be  
Ordered Separately  
Refer to Technical Data.

All dimensions are approximations.  
Dimensions in parentheses  
are inches.



SIZE	A	B	C	D	E	F	G	H	K	L	M	R
3" (DN80)	257 (10-1/8)	184 (7-1/4)	223 (8-3/4)	204 (8)	305 (12)	159 (6-1/4)	127 (5)	159 (6-1/4)	222 (8-3/4)	254 (10)	153 (6)	356 (14)
4" (DN100)	270 (10-5/8)	191 (7-1/2)	223 (8-3/4)	229 (9)	305 (12)	153 (6)	133 (5-1/4)	165 (6-1/2)	222 (8-3/4)	257 (10-1/8)	172 (6-3/4)	359 (14-1/8)
6" (DN150)	340 (13-3/8)	260 (10-1/4)	260 (10-1/4)	254 (10)	350 (13-3/4)	127 (5)	172 (6-3/4)	191 (7-1/2)	254 (10)	279 (11)	191 (7-1/2)	432 (17)
8" (DN200)	432 (17)	210 (8-1/4)	285 (11-1/4)	279 (11)	375 (14-3/4)	45 (1-3/4)	222 (8-3/4)	210 (8-1/4)	267 (10-1/2)	292 (11-1/2)	204 (8)	385 (15-1/8)

MODEL J-1 ALARM CHECK VALVE WITH VERTICAL EUROPEAN TRIM

