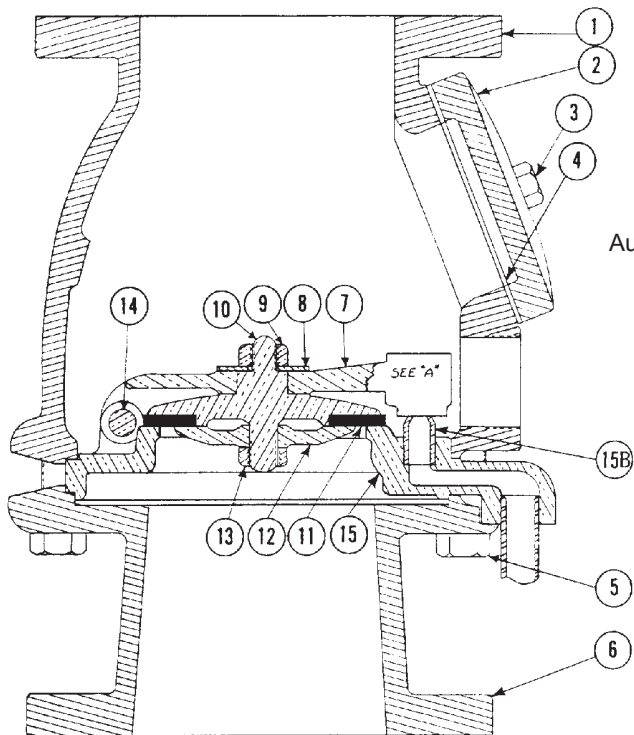




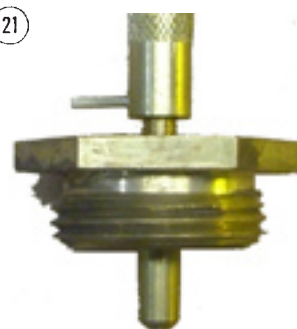
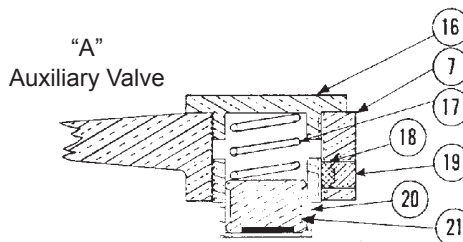
REPLACEMENT PARTS

**ALARM VALVE
MODEL E
WET PIPE**



Valve Take Out		
2-1/2" - 12"	(304,8 mm)	
4" - 16-1/4"	(412,7 mm)	
6" - 17"	(431,8 mm)	
8" - 17-1/2"	(444,5 mm)	

Manufactured	
2-1/2"	1950 - 1976
4"	1950 - 1973
6"	1954 - 1971
8"	1950 - 1970



Auxiliary Valve Setting Tool
P/N 02039B

ITEM NO.	PART NUMBERS				DESCRIPTION	MATERIAL	NO. REQ'D.
	2-1/2"	4"	6"	8"			
1	--	--	--	--	Housing	Gray Cast Iron	1
2	--	--	--	--	Hand Hole Cover	Gray Cast Iron	1
3	--	--	--	--	Hex Head Screw	Steel	2
4	02524A	04388A	02238A	02238A	Hand Hole Gasket	Rubber Fabric Insert	1
5	--	--	--	--	Hex Head Screw, 5/8-11 x 2 Lg.	Steel	8
6	--	--	--	--	Body	Gray Cast Iron	1
7	--	--	--	--	Clapper Arm	Cast Bronze	1
8	--	--	--	--	Washer	Brass	1
9	--	--	--	--	Nut, Self-Locking, 5/8-11	Brass	1
10	--	--	--	--	Clapper Arm	Cast Bronze	1
11	*	*	*	*	Water Seat Rubber	Neoprene	1
12	--	--	--	--	Rubber Retainer	Bronze	1
13	--	--	--	--	Nut, Self Locking, 5/8-11	Brass	1
14	--	--	--	--	Hinge Pin	Brass	1
15	--	--	--	--	Water Seat Assembly	Bronze	1
15B	--	--	--	--	Auxiliary Valve Seat	Brass	1
16	*	*	*	*	Auxiliary Valve Cap	Brass	1
17	*	*	*	*	Auxiliary Valve Spring	Brass	1
18	*	*	*	*	Ball, Nylon	Nylon	1
19	*	*	*	*	Cup Point Set Screw, Soc. Set 3/8-16 x 3/8 Lg.	Brass	1
20	*	*	*	*	Auxiliary Valve Sleeve	Brass	1
21	*	*	*	*	Auxiliary Valve Clapper**	Brush Neoprene	1

-- Indicates replacement part is not available

*Replacement part only available in a Sub-Assembly, as indicated below.

**The Auxiliary Valve Clapper is used on Models B, C, E, F & G

SUB-ASSEMBLY

4, 11, 16-21	12505	12506	12507	12508	Rubber and Auxiliary Valve Kit (includes setting tool)
--------------	-------	-------	-------	-------	--