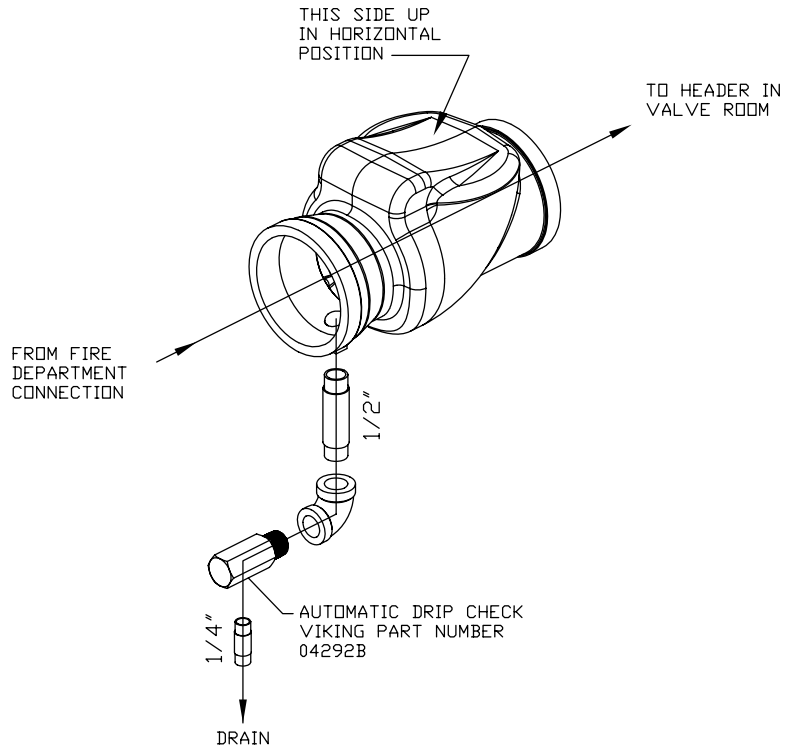
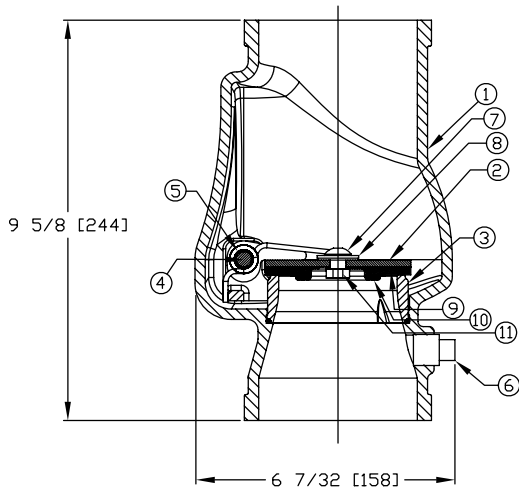




REPLACEMENT PARTS

**CHECK VALVE
MODEL M-2**

Manufactured 2006 -



ITEM NO.	PART NUMBER	DESCRIPTION	MATERIAL	NO. REQ'D.
1	--	Body	Ductile Iron, 64-45-12	1
2	--	Clapper Assembly	Stainless Steel, UNS-S30400	1
3	--	Seat	Brass, UNS-C83600	1
4	--	Pin Hinge, Clapper	Stainless Steel, UNS-S30300	1
5	--	Spring	Stainless Steel, UNS-S30200	1
6	--	Plug, 1/2" Galvanized	Galvanized Steel	1
7	*	Screw, Socket Head, 3/8-24 x 1/2"	Stainless Steel, UNS-S30400	1
8	*	Sealing Washer, 3/8"	EPDM & Stainless Steel	1
9	*	Rubber	EPDM	1
10	*	Retainer	Stainless Steel, UNS-S30400	1
11	*	Jam Nut, 3/8"-24	Stainless Steel, UNS-S30400	1

Note: -- Indicates replacement part not available.

* Indicates part is available in Sub-Assembly only--see Sub-Assembly list.

SUB-ASSEMBLY LIST

7 - 11	13508	Rubber Repair Kit
--------	-------	-------------------