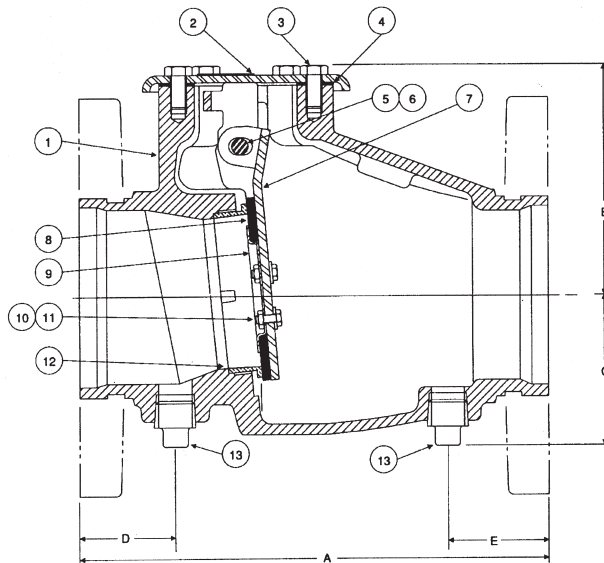




**REPLACEMENT PARTS**

**SWING CHECK VALVE  
OBSOLETE MODELS  
D-1, D-2 & E-2**



		Manufactured		
	Model	Size	Year	
<b>Grooved Ends</b>	D-1	3" (DN80)	1984 - 1995	
	D-1	4" (DN100)	1981 - 1985	
	D-1	6" (DN150)	1983 - 1986	
	D-1	8" (DN200)	1983 - 1986	
	D-2	4" (DN100)	1985 - 1995	
	D-2	6" (DN150)	1986 - 1995	
	D-2	8" (DN200)	1986 - 1990	
	E-2	8" (DN200)	1990 - 1995	
	<b>Flanged Ends</b>	D-2	4" (DN100)	1987 - 1994
		D-2	6" (DN150)	1987 - 1995
E-2		8" (DN200)	1990 - 1997	

Valve Size	A	B	C	D	E
3" (DN80)	9-1/2" (241mm)	4-3/4" (121mm)	2-3/4" (70mm)	2" (51mm)	2" (51mm)
4" (DN100)	10-5/8" (270mm)	5-3/16" (132mm)	3-3/8" (86mm)	2-1/8" (54mm)	2-1/4" (57mm)
6" (DN150)	13-5/8" (346mm)	6-3/4" (172mm)	4-3/8" (111mm)	2-1/4" (57mm)	2-1/4" (57mm)
8" (DN200)	17" (432mm)	8-3/4" (222mm)	5-3/8" (137mm)	2-1/2" (64mm)	2-7/8" (73mm)

ITEM NO.	PART NUMBER				DESCRIPTION	MATERIAL	NO. REQ'D.			
	3"	4"	6"	8"			3"	4"	6"	8"
1	--	--	--	--	Body	Ductile Iron	1	1	1	1
2	--	--	--	--	Cover Assembly	HSLA, Stainless Steel	1	1	1	1
3	01517A	01517A			H.H.C. Screw, 3/8"-16 UNC x 3/4" (19,1 mm) lg.	Steel, Zinc Plated	4	6	0	0
			04993A		H.H.C. Screw, 1/2"-13 UNC x 7/8" (22,2 mm) lg.	Steel, Zinc Plated	0	0	6	0
				01922A	H.H.C. Screw, 5/8"-11 UNC x 1-1/4" (31,8 mm) lg.	Steel, Zinc Plated	0	0	0	6
4	05354B	04649B	04992B	05339C	Cover Gasket	S.B.R. Fiber	1	1	1	1
5	05355A	04900A	04991A	05334A	Hinge Pin	Stainless Steel	1	1	1	1
6	05445A	05445A	05445A	05369A	Retaining Ring	Stainless Steel	2	2	2	2
7	*	*	*	*	Clapper	Stainless Steel	1	1	1	1
8	*	*	*	*	Clapper Rubber	E.P.D.M.	1	1	1	1
9	*	*	*	*	Retainer Plate	Stainless Steel	1	1	1	1
10	*	*			Sealing Washer	EPDM & Stainless Steel	1	1		
			*	*	Sealing Washer	EPDM & Stainless Steel			1	1
	*	*			Screw, Button Head, Socket, 3/8"-24 UNF x 1/2" (12,7 mm) lg.	Stainless Steel, UNS-S30400	1	1		
			*		Screw, Button Head, Socket, 1/4"-20 UNF x 3/4" (19,0 mm) lg.	Stainless Steel, UNS-S30400			1	
11				*	Screw, Button Head, Socket, 1/4"-20 UNF x 7/8" (22,2 mm) lg.	Stainless Steel, UNS-S30400				1
	*	*			Clapper Hex Nut 3/8"-24 UNC	Stainless Steel	1	1		
			*	*	Clapper Hex Nut 1/2"-13 UNC	Stainless Steel			1	1
12	--	--	--	--	Seat	Brass	1	1	1	1
13	--	--	--	--	Pipe Plug	Cast Iron	2	2	2	2

-- Indicates replacement part not available

\* Replacement part only available in a Sub-Assembly, as indicated below.

**SUB-ASSEMBLY**

7-11	08518	08519	08520	08521	Clapper Assembly
------	-------	-------	-------	-------	------------------

**Note:** Clapper Assembly is a single bolt style with Ryton bushings for the hinge pin.

A bushing is included but not used.