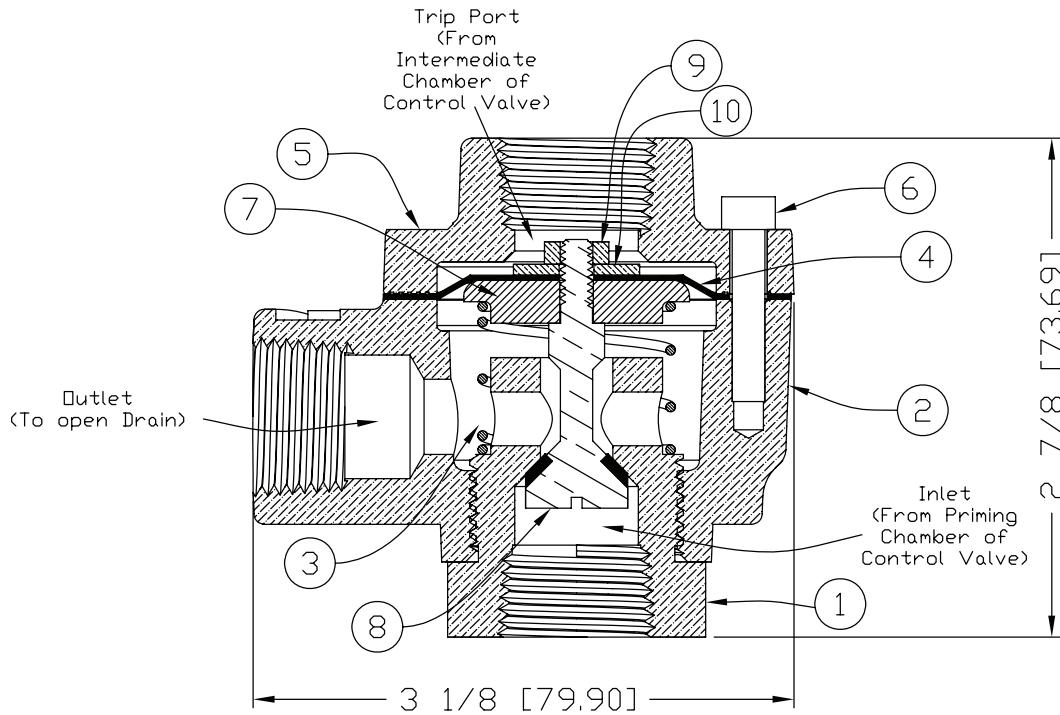




REPLACEMENT PARTS

**PRESSURE OPERATED
RELIEF VALVE (PORV)
MODEL D-1 & D-2**

Manufactured 2007 -



ITEM NO.	PART NUMBER		DESCRIPTION	MATERIAL		NO REQ'D
	D-1	D-2		D-1 - STANDARD BRASS	D-2 - CORROSION RESISTANT	
1	--	--	Seat	Brass, UNS - C36000	Brass, UNS-C36000, Electroless Nickel Plated	1
2	--	--	Body	Brass, UNS - C84400	Brass, UNS-C84400, Electroless Nickel Plated	1
3	13592	13592	Spring	Stainless Steel, UNS - S30200	Stainless Steel, UNS-S30200	1
4	13593	13593	Diaphragm	Polyester & EPDM	Polyester & EPDM	1
5	--	--	Cover	Brass, UNS - C84400	Brass, UNS-C84400, Electroless Nickel Plated	1
6	F09649	F09649	Screw, SHC, #10-24 X 1"	Stainless Steel, UNS - S31600	Stainless Steel, UNS - S31600	3
7	13595	13595	Support	10% Glass filled Polycarbonate	10% Glass filled Polycarbonate	1
8	13599	13857	Push Rod	EPDM & Brass, UNS - C36000	EPDM & Stainless Steel, UNS-S31600	1
9	01755A	01755A	Jam Nut, #10-24	Stainless Steel, UNS - S30400	Stainless Steel, UNS-S30400	1
10	13836	13836	Washer, #10	Stainless Steel	Stainless Steel	1
-- Indicates replacement part not available						
SUB-ASSEMBLY						
3, 4, 6-10			D-1 - 13986 D-2 - 13987	Maintenance Kit		