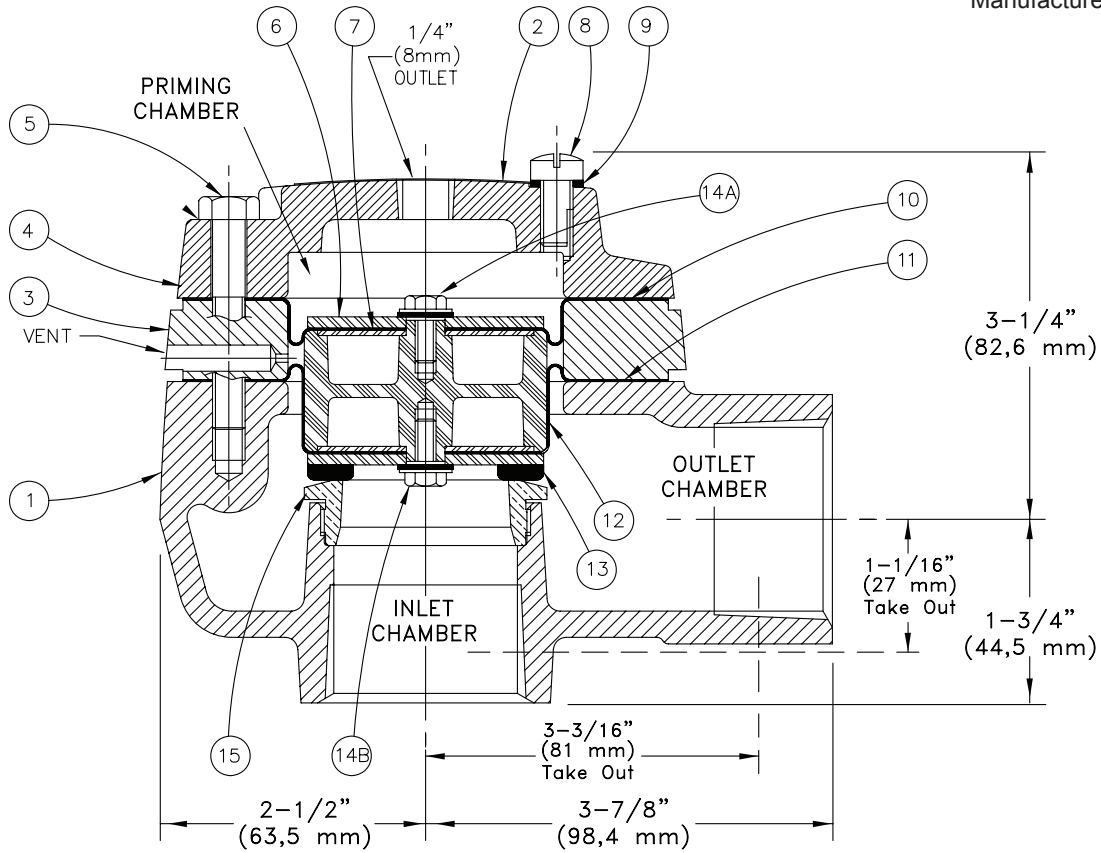




**REPLACEMENT PARTS**

**DELUGE VALVE  
MODEL E-1  
1-1/2" (DN40)**

Manufactured 1984 - 1997



ITEM NO.	PART NUMBER	DESCRIPTION	MATERIAL	NO. REQ'D
1	--	Body	Ductile Iron 60-40-18	1
2	--	Cover Label	Aluminum	1
3	--	Spacer	Ductile Iron 65-45-12	1
4	--	Cover	Ductile Iron 60-40-18	1
5	08108	Screw, H.H.C., 5/16 -18 x 2-1/4" Lg.	Steel	4
6	04211A	Clamp Plate	Stainless Steel UNS-S30400, 12 gauge	1
7	04692A	End Plate	Stainless Steel UNS-S30400, 18 gauge	2
8	03914A	Vent Screw	Brass	1
9	03915A	Vent Screw Washer	Polypropylene	1
10	--	Upper Diaphragm	Polyester Fabric and EPDM Elastomer	1
11	--	Lower Diaphragm	Polyester Fabric and EPDM Elastomer	1
12	04547B	Piston	Polycarbonate RTP 301	1
13	04928A	Clapper Assembly	Stainless Steel UNS-S30400, 12 gauge & EPDM	1
14A & B	06595A	Screw and Sealing Washer Assembly	Stainless Steel / Neoprene UNS-S30400	2
15	--	Seat	Brass UNS-C84400	1

--Indicates replacement part not available