

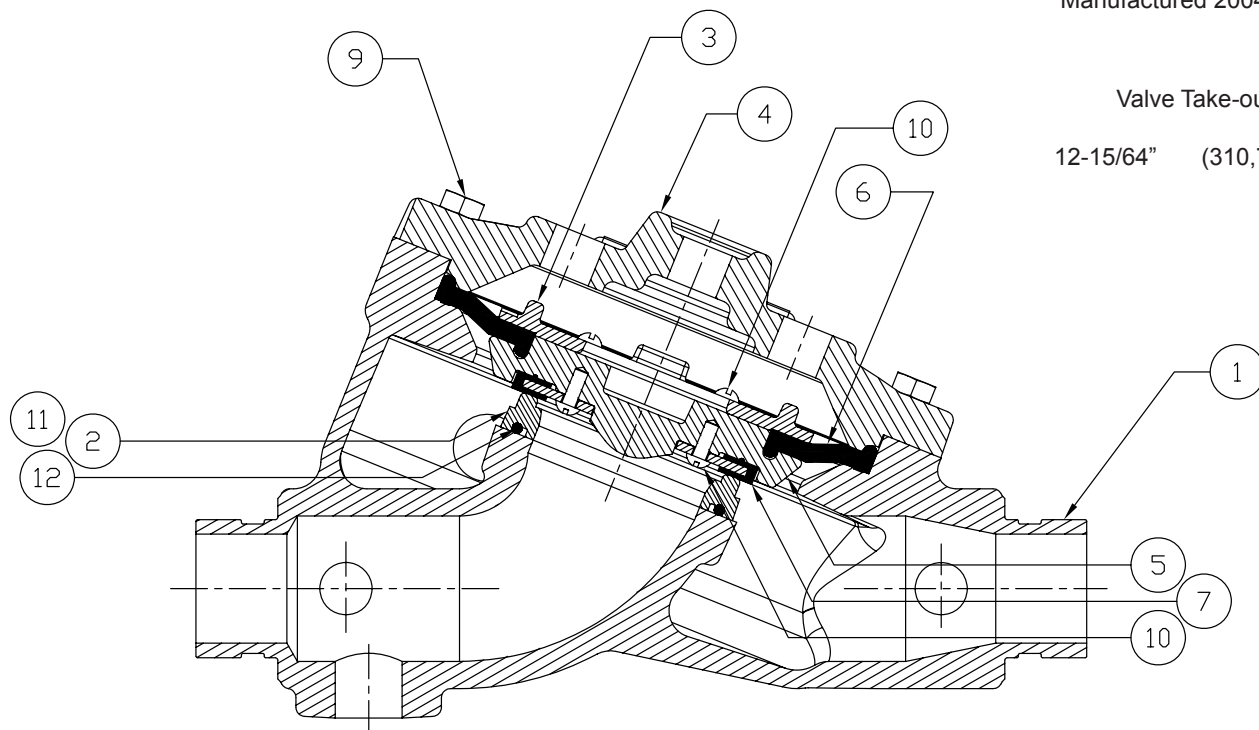


REPLACEMENT PARTS

DELUGE VALVE MODEL F-1  
1-1/2" (DN40) & 2" (DN50)

Manufactured 2004 -

Valve Take-out  
12-15/64" (310,7 mm)



ITEM NO.	PART NUMBER 1-1/2" & 2" (DN40 & DN50)	DESCRIPTION	MATERIAL	NO. REQ'D	
				1-1/2" (DN40)	2" (DN50)
1	--	Body	Ductile Iron, Grade 65-45-12	1	1
2	*	Seat	Brass, UNS-C84400	1	1
3	04224B	Ring Clamp, Upper Diaphragm	Brass, UNS-C84400	1	1
4	--	Cover	Ductile Iron, Grade 65-45-12	1	1
5	07046BN	Clapper	Brass, UNS-C84400	1	1
6	12055	Upper Diaphragm	EPDM - ASTM D-2000	1	1
7	04225B	Rubber Seat Assembly	EPDM - ASTM D-2000/Stainless Steel UNS-S30400, 11 gauge	1	1
8	--	Data Plate	Aluminum Etched	1	1
9	05855A	Screw, H.H.C. <sup>1</sup> , 3/8-16 x 1-1/8 (29 mm)	Steel, SAE-Grade 5, ASTM A449	8	10
10	02494A	Screw, R.H. <sup>2</sup> , 10-24 x 1/2 (12.7 mm)	Stainless Steel, UNS-S30200	8	8
11	*	Screw, R.H. <sup>2</sup> , 10-24 x 5/8 (16 mm)	Stainless Steel, UNS-S30200	4	4
12	*	O-Ring	EPDM	1	1
-- Indicates no replacement part available					
* Indicates part available only in a Sub-Assembly, as indicated below					
<b>SUB-ASSEMBLY</b>					
2, 11-12	14711-2	Seat Replacement Kit*			
3, 5-7, 9, 10	13498	Clapper Assembly Kit			

<sup>1</sup> Hex Head Cap Screw

<sup>2</sup> Round Head, Phillips Drive Screw

\*NOTE: Includes o-ring lubricant to be added to ring groove in seat.