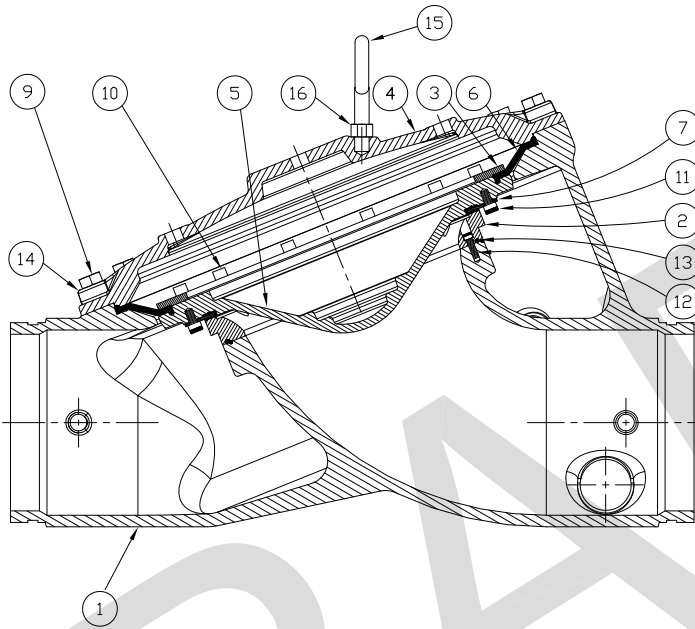




REPLACEMENT PARTS

DELUGE VALVE HALAR® COATED MODEL F-2 2-1/2" - 8" (DN65 - DN200)



Manufactured
 2-1/2" 2005 -
 3", 4", 6" 2002 -
 8" 2000 -

Valve Take-out

2-1/2" - 15-1/8" (384.1 mm)
 3" - 15-1/8" (384.1 mm)
 4" - 19-1/2" (495.3 mm)
 6" - 24-3/8" (619.1 mm)
 8" - 29-1/2" (749.3 mm)

ITEM NO.	PART NUMBER				DESCRIPTION	MATERIAL	NO. REQ'D.			
	2-1/2" (DN65) & 3" (DN80)	4" (DN100)	6" (DN150)	8" (DN200)			2-1/2" (DN65) & 3" (DN80)	4" (DN100)	6" (DN150)	8" (DN200)
1	--	--	--	--	Body	Ductile Iron, Halar® Coated	1	1	1	1
2	*	*	*	*	Seat	Brass UNS-C84400, Electroless Nickel, Tin Plated	1	1	1	1
3	02493B	02378B	05704B	10514	Ring Clamp, Upper Diaphragm	Bronze UNS-C84400, Teflon® Coated	1	1	1	1
4	--	--	--	--	Cover	Ductile Iron, Halar® Coated	1	1	1	1
5	08846N	08844N	08570N	10518N/B	Clapper	Ductile Iron, Halar® Coated	1	1	1	1
6	12012	11560	11561	10510	Upper Diaphragm	EPDM ASTM D-2000	1	1	1	1
7	02497B	02382B	02176B	10512	Rubber Seat Assembly	EPDM ASTM D-2000/Stainless Steel UNS-S30400	1	1	1	1
8	--	--	--	--	Data Plate	Aluminum Etched	1	1	1	1
9	08081				Screw, H.H.C. ¹ , 1/2-13 x 1-1/4 (32)	Stainless Steel UNS-S30400	10			
		08083			Screw, H.H.C. ¹ , 1/2-13 x 1 1/2 (38)	Stainless Steel UNS-S30400		12		
			08085	08085	Screw, H.H.C. ¹ , 5/8-11 x 1 3/4 (44)	Stainless Steel UNS-S30400			15	16
10	08215				Screw, R.H. ³ , 10-24 x 3/8 (9.5)	#400 Monel	6			
		08217			Screw, H.H.C. ¹ , 5/16-18 x 1/2 (13)	#400 Monel		8		
			08882		Screw, H.H.C. ¹ , 3/8-16 x 1/2 (13)	#400 Monel			12	
				11117	Screw, S.H.C. ² , 3/8-16 x 3/4 (19.1)	#400 Monel				12
11	08214				Screw, R.H. ³ , 10-24 x 1/2 (12.7)	#400 Monel	6			
		08217			Screw, H.H.C. ¹ , 5/16-18 x 1/2 (13)	#400 Monel		8		
			08218		Screw, H.H.C. ¹ , 3/8-16 x 5/8 (16)	#400 Monel			12	
				11116	Screw, S.H.C. ² , 3/8-16 x 1/2 (13)	#400 Monel				12
12	*				Screw, R.H. ³ , 10-24 x 5/8 (16)	#400 Monel	4			
		*			Screw, S.H.C. ² , 10-24 x 3/4 (19.1)	#400 Monel		6		
			*	*	Screw, S.H.C. ² , 1/4-20 x 3/4 (19.1)	#400 Monel			8	6
13	*	*	*	*	O-Ring	#400 Monel	1	1	1	1
14	08413	08413	08414	08414	Washer	300 Series Stainless Steel	10	12	15	16
15				11570	Eye Bolt, 5/8-11-UNC	Carbon Steel				1
16				F01256	Nut, 5/8-11-UNC	Stainless Steel				1

-- Indicates replacement part not available.

* Indicates part available only in sub-assembly listed below.

SUB-ASSEMBLY

2, 12, 13	14712-3	14712-4	14712-6	14712-8	Seat Replacement Kit*
3, 5-7, 9-11	13489	13491	13493	13485	Clapper Assembly Kit

¹Hex Head Cap Screw

²Socket Head Cap Screw, (8" Valve - #10 & 11 must be S.H.C. for clearance with seat)

³Round Head, Phillips Drive Screw

*Note: Includes o-ring lubricant to be added to ring groove in seat.