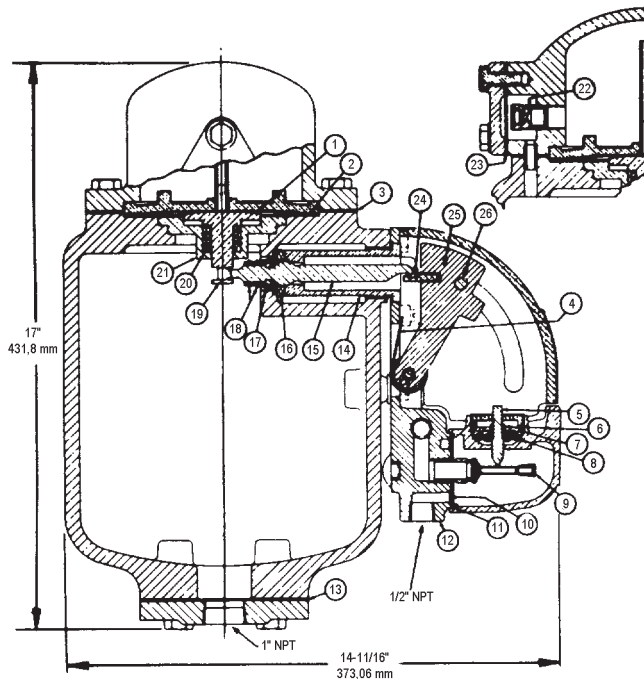




REPLACEMENT PARTS

**ACCELERATOR
MODEL B-1**

Manufactured 1932 - 1983



ITEM NO.	PART NUMBER	DESCRIPTION	MATERIAL	NO. REQ'D
1	*	Diaphragm	Phosphrous Bronze	1
2	*	Diaphragm Gasket	Garlock	1
3	*	Cover Gasket	Garlock	1
4	--	Weight Spring	Stainless Steel	1
5	--	Striker	Brass	1
6	--	5/16-24 Nut	Brass	1
7	--	Striker Washer	Brass	1
8	--	Striker Diaphragm	Neoprene	1
9	03226C	Glass Strut Head	Brass/Copper/Glass	1
10	--	Valve Hood Screen	Brass	1
11	--	Valve Head Gasket	Asbestos Filled Copper	1
12	--	Bracket	Cast Iron	1
13	*	Pipe Flange Gasket	Garlock	1
14	--	Ball Cap	Brass	1
15	--	Trip Lever	Brass	1
16	--	Ball Socket	Brass	1
17	*	Gland Rubber	Neoprene	1
18	--	Gland Wire Kit	Monel Wire	2
19	--	Plunger	Bronze	1
20	--	Plunger Spring	Phosphrous Bronze	1
21	--	Plunger Guide	Bronze	1
22	--	Pin Hole Plug Assembly		1
23	*	Pin Hole Gasket Cap	Garlock	1
24	--	Catch	Brass	1
25	--	Weight	Cast Iron	1
26	--	Weight Handle	Brass	1

--Indicates replacement part not available

* Indicates replacement part only available in a Sub-Assembly, as indicated below.

SUB-ASSEMBLY

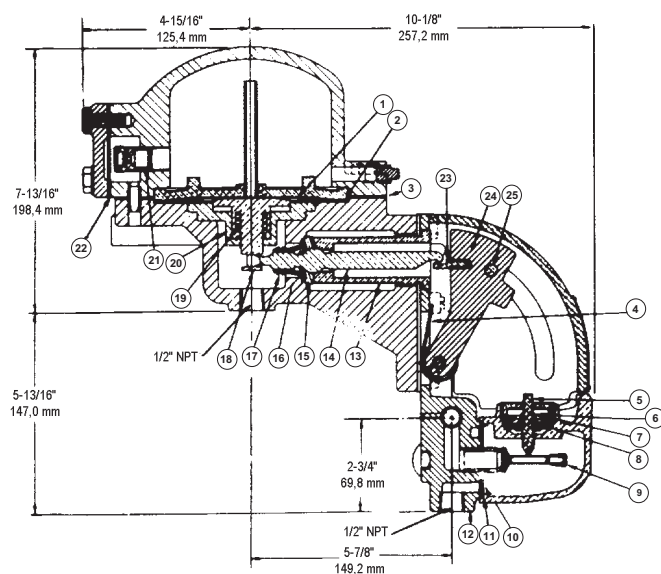
1-3, 9, 13, 17, 23	12499	Gasket/Diaphragm Repair Kit
--------------------	-------	-----------------------------



REPLACEMENT PARTS

**RELEASE LINE
ACCELERATOR
MODEL B-1**

Manufactured 1935 - 1981



ITEM NO.	PART NUMBER	DESCRIPTION	MATERIAL	NO. REQ'D
1	*	Diaphragm	Phosphrous Bronze	1
2	*	Diaphragm Gasket	Garlock	1
3	*	Cover Gasket	Garlock	1
4	--	Weight Spring	Stainless Steel	1
5	--	Striker	Brass	1
6	--	5/16-24 Nut	Brass	1
7	--	Striker Washer	Brass	1
8	--	Striker Diaphragm	Neoprene	1
9	03226C	Glass Strut Head	Brass/Copper/Glass	1
10	--	Valve Hood Screen	Brass	1
11	--	Valve Head Gasket	Asbestos Filled Copper	1
12	--	Bracket	Cast Iron	1
13	--	Ball Cap	Brass	1
14	--	Trip Lever	Brass	1
15	--	Ball Socket	Brass	1
16	*	Gland Rubber	Neoprene	1
17	--	Gland Wire Kit	Monel Wire	2
18	--	Plunger	Bronze	1
19	--	Plunger Spring	Phosphrous Bronze	1
20	--	Plunger Guide	Bronze	1
21	--	Pin Hole Plug Assembly		1
22	*	Pin Hole Gasket Cap	Garlock	1
23	--	Catch	Brass	1
24	--	Weight	Cast Iron	1
25	--	Weight Handle	Brass	1

-- Indicates replacement part not available

* Indicates replacement part only available in a Sub-Assembly, as indicated below.

SUB-ASSEMBLY

1-3, 9, 16, 22	12500	Gasket/Diaphragm Repair Kit
----------------	-------	-----------------------------