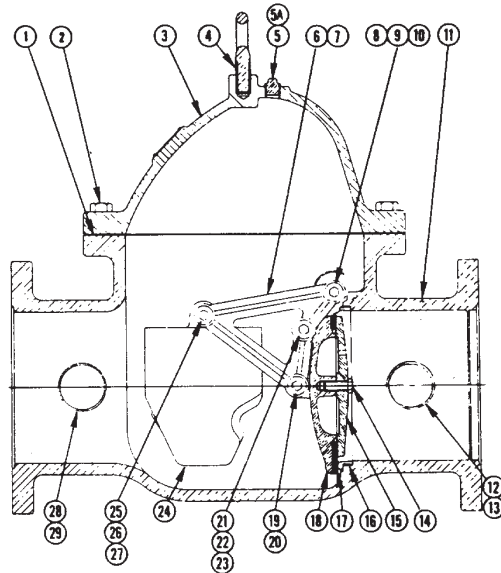




REPLACEMENT PARTS

DETECTOR CHECK VALVE MODEL E-1 & E-2



Manufactured
 4" 1977 - 1984
 6" 1977 - 1985
 8" 1977 - 1985
 10" 1977 - 1990

Valve Take-out

4" - 16-1/2" (419,1 mm)
 6" - 22-1/2" (571,5 mm)
 8" - 25" (635,0 mm)
 10" - 28" (711,2 mm)

ITEM NO.	PART NUMBER				DESCRIPTION	MATERIAL	NO. REQ'D			
	4" E-1 / E-2	6" E-1 / E-2	8" E-1 / E-2	10" E-1 / E-2			4"	6"	8"	10"
1	R9002074B	R9002099B	R9002125B	R9002125B	Cover Gasket	Reinforced Neoprene	1	1	1	1
2	*				Screw, HHC, 5/8-11 x 2" Lg	Steel	8			
		*	*	*	Screw, HHC, 3/4-10 x 2-1/4" Lg	Steel		10	12	12
3	--	--	--	--	Cover	Cast Iron	1	1	1	1
4	--				Eyebolt, 1/2"	Galvanized Steel	1	1	1	1
5	--	--	--	--	Vent Screw	Brass	1	1	1	1
5A	--	--	--	--	Washer	Polypropylene	1	1	1	1
6	--	--	--	--	Clapper Arm	Cast Bronze	2	2	2	2
7	--	--	--	--	Clapper Arm Bushing	Celcon	2	2	2	2
8	--	--	--	--	Pivot Shaft	Brass	2	2	2	2
9	--	--	--	--	Flat Washer	Stainless Steel	2	2	2	2
10	--	--	--	--	Retaining Ring	Stainless Steel	2	2	2	2
11	--	--	--	--	Body	Cast Iron	1	1	1	1
12	--				1" Pipe Plug	Cast Iron	1			
		--			1-1/2" Pipe Plug	Cast Iron		1		
			--		2" Pipe Plug	Cast Iron			1	1
13	--				1 x 3/4" Reducing Bushing	Brass Hex	1			
		--			1-1/2 x 3/4" Reducing Bushing	Brass Hex		1		
			--		2 x 1" Reducing Bushing	Brass Hex			1	
14	--	--	--	--	Screw	Stainless Steel/Nylok	1	1	1	1
15	--	--	--	--	Clamp Plate	Cast Bronze	1	1	1	1
16	--	--	--	--	Seat	Cast Bronze	1	1	1	1
17	R9002867B	R9002700B	R9002429B	R9002594B	Clapper Rubber	EPDM	1	1	1	1
18	--	--	--	--	Clapper	Cast Bronze	1	1	1	1
19	--	--	--	--	Hinge Pin	Stainless Steel	1	1	1	1
20	--	--	--	--	Retaining Ring	Stainless Steel	2	2	2	2
21	--	--	--	--	Hinge Pin	Stainless Steel	1	1	0	1
22	--	--	--	--	Retaining Ring	Stainless Steel	2	2	2	2
23	--	--	--	--	Clapper Pin	Stainless Steel	0	0	1	0
24	--	--	--	--	Weight	Bronze/Lead	1	1	1	1
25	--	--	--	--	Hinge Pin	Stainless Steel	1	1	1	0
26	--	--	--	--	Retaining Ring	Stainless Steel	2	2	2	2
27	--	--	--	--	Weight Pin	Stainless Steel	0	0	0	1
28	--				1" Pipe Plug	Cast Iron (E-1); Brass (E-2)	1			
		--			1-1/2" Pipe Plug	Cast Iron (E-1); Brass (E-2)		1		
			--		2" Pipe Plug	Cast Iron (E-1); Brass (E-2)			1	1
29	--				1 x 3/4" Reducing Bushing	Brass Hex	1			
		--			1-1/2 x 3/4" Reducing Bushing	Brass Hex		1		
			--		2 x 1" Reducing Bushing	Brass Hex			1	
--Indicates replacement part not available										
VALVE REPAIR KIT										
1, 2, 17	12573	12574	12575	12576	Replacement Rubber Kit					