



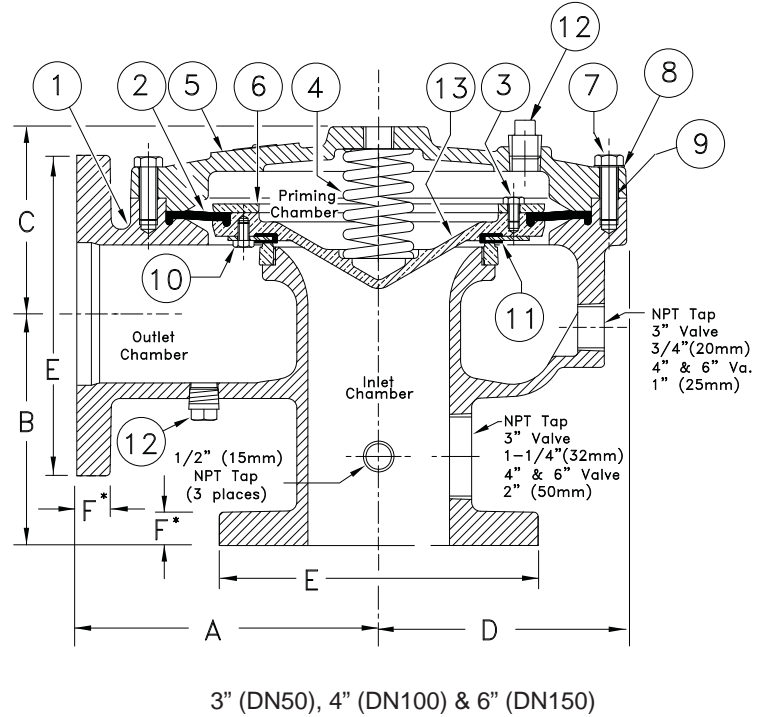
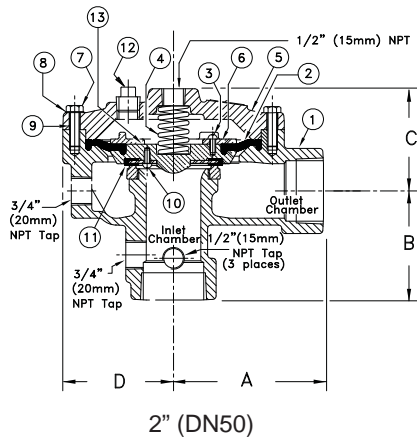
REPLACEMENT PARTS

FLOW CONTROL VALVE HALAR®  
 COATED MODEL H-2  
 2", 3", 4" & 6" (DN50, DN80, DN100 & DN150)

Manufactured 1994 -

Size	A	B	C	D	E	F*
2" (DN50)	5-1/2" (140)	4" (102)	3-3/4" (95)	4-1/16" (103)	--	--
3" (DN80)	7" (178)	5" (127)	4-1/4" (108)	5-3/8" (137)	7-1/2" (190.5)	3/4" (19.05)
4" (DN100)	9" (229)	6-1/2" (165)	5-1/4" (133)	7" (178)	9" (228.6)	15/16" (23.81)
6" (DN150)	12" (304)	8" (203)	7" (178)	9-1/8" (232)	11" (279.4)	1" (25.4)

Dimensions shown in parentheses are millimeter.  
 \*4" & 6" valves manufactured with sculptured flanges.  
 Dimensions indicate thickness of flange at bolt holes.



ITEM NO.	PART NUMBERS				DESCRIPTION	MATERIAL	NO. REQ'D			
	2" (DN50)	3" (DN80)	4" (DN100)	6" (DN150)			2" (DN50)	3" (DN80)	4" (DN100)	6" (DN150)
1	--	--	--	--	Body	Halar® Coated Ductile Iron: 60-40-18 or 65-45-12	1	1	1	1
2	04223B	02492C	02377B	01974C	Diaphragm Rubber	EPDM ASTM D-2000	1	1	1	1
3	08214				Screw, R.H., No. 10-24 x 1/2" (12.7 mm) Lg.	#400 Monel	4			
		08214			Screw, R.H., No. 10-24 x 1/2" (12.7 mm) Lg.	#400 Monel		6		
			08217		Screw, H.H.C., 5/16"-18 x 1/2" (12.7 mm) Lg.	#400 Monel			8	
				08218	Screw, H.H.C., 3/8"-16 x 5/8" (15.9 mm) Lg.	#400 Monel				12
4	01905A	05838A	05842A	01920A	Spring	Stainless Steel	1	1	1	1
5	--	--	--	--	Cover	Ductile Iron: 65-45-12	1	1	1	1
6	04224B	02493B	02378B	05704B	Clamp Ring	Teflon® Coated Bronze: UNS-C84400	1	1	1	1
7	08091				Screw, H.H.C., 3/8" - 16 x 1-1/8" (28.6 mm) Lg.	Stainless Steel: UNS-S30400	8			
		08081			Screw, H.H.C., 1/2"-13 x 1-1/4" (31.8 mm) Lg.	Stainless Steel: UNS-S30400		10		
			08083		Screw, H.H.C., 1/2"-13 x 1-1/2" (38.1 mm) Lg.	Stainless Steel: UNS-S30400			12	
				08085	Screw, H.H.C., 5/8"-11 x 1-3/4" (44.5 mm) Lg.	Stainless Steel: UNS-S30400				15
8	08412	08413	08413	08414	Washer	Stainless Steel: UNS-S30400	8	10	12	15
9	--	--	--	--	Lithium Grease	Lithium Grease	--	--	--	--
10	08214				Screw, R.H., No. 10-24 x 1/2" (12.7 mm) Lg.	# 400 Monel	4			
		08215			Screw, R.H., No. 10-24 x 3/8" (9.5 mm) Lg.	# 400 Monel		6		
			08217		Screw, H.H.C., 5/16"-18 x 1/2" (12.7 mm) Lg.	# 400 Monel			8	
				08882	Screw, H.H.C., 3/8" - 16 x 1/2" (12.7 mm) Lg.	# 400 Monel				12
11	04225B	02497B	02382B	02176B	Seat Rubber	EPDM ASTM D-2000 & St. Stl. UNS-S30400	1	1	1	1
12	None	--	--	--	Plug, 1/2" NPT	Stainless Steel	--	1	1	1
13	*	*	*	*	Clapper	Teflon® Coated Ductile Iron 65-45-12 or Brass UNS-C84400	1	1	1	1
14	--	--	--	--	Seat	Brass UNS-C84400	1	1	1	1

Note: -- Indicates replacement part not available  
 \* Indicates part is available in Sub-Assembly only - see Sub-Assembly list

SUB-ASSEMBLY LIST

2-3, 6-8, 10, 11, 13	14021	13398	13481	13483	Clapper Assembly Kit
----------------------	-------	-------	-------	-------	----------------------