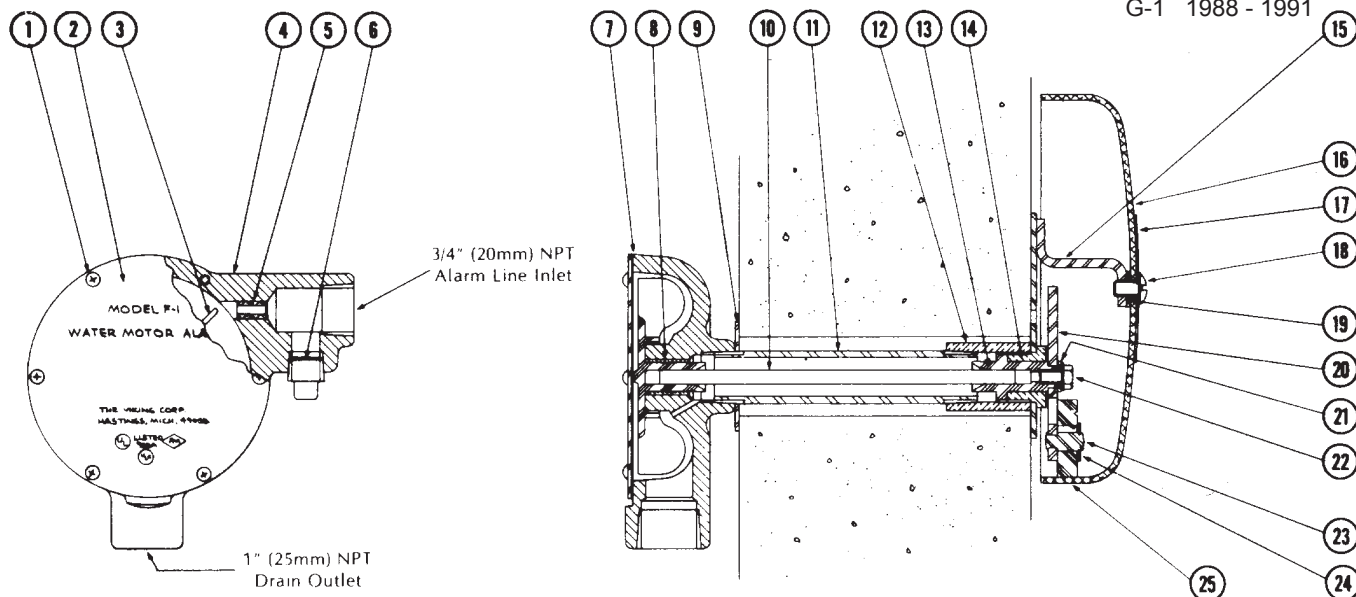




# REPLACEMENT PARTS

## WATER MOTOR ALARM MODEL F-1 & G-1

Manufactured  
F-1 1984 - 1991  
G-1 1988 - 1991



ITEM NO.	PART NUMBER		DESCRIPTION	MATERIAL	NO. REQ'D
	F-1	G-1			
1	02548A	02548A	Screw, R. H. Self-tap #10-24 x 3/8" lg.	Zinc Plated Steel	6
2	--	--	Cover	Galvanized Steel	1
3	02547C	02547C	Impeller	Delrin	1
4	--	--	Housing	Cast Iron	1
5	--	--	Nozzle	Brass	1
6	--	--	3/8" Pipe Plug	Cast Iron	1
7	02550B	02550B	Cover Gasket	Cellulose/Nitrile/Glass Blend	1
8	--	--	Bearing	Brass	1
9	05603A	05603A	Wall Plate	Galvanized Steel	1
10	05604B	05604B	Drive Shaft	Stainless Steel	1
11	--	--	3/4" Pipe (C.O.J.) not furnished	Steel	1
12	*	*	Coupling	Brass	1
13	02556B	02556B	Striker Arm Shaft	Celcon Glass Filled	1
14	*	*	Bearing	Brass	1
15	*	*	Gong Support	Stainless Steel	1
16	05821C	06508C	Gong	Aluminum	1
17	05768A	06505C	Gong Label	Aluminum (F-1), Vinyl (G-1)	1
18	02683A	02683A	Screw, B.H. Slotted, 5/16-18 x 1" lg.	Stainless Steel	1
19	02766A	02766A	Flat Washer, 11/32" ID x 11/16" ID x 1/16"	Stainless Steel	1
20	*	*	Striker Arm	Stainless Steel	1
21	02766A	02766A	Flat Washer, 11/32" ID x 11/16" ID x 1/16"	Stainless Steel	1
22	03330A	03330A	Screw, H.H. Self-tap 5/16-18 x 1/2" lg.	Zinc Plated Steel	1
23	*	*	Striker Pin	Stainless Steel	1
24	*	*	Striker Arm Washer	Stainless Steel	1
25	*	*	Striker	Canvas Phenolic	1

--Indicates replacement part not available

\*Indicates replacement part only available in Sub-Assembly listed below

### SUB-ASSEMBLIES

20, 23-25	02558B	02558B	Striker Arm Assembly
12-15, 20-25	05606C	06506C	Support Assembly