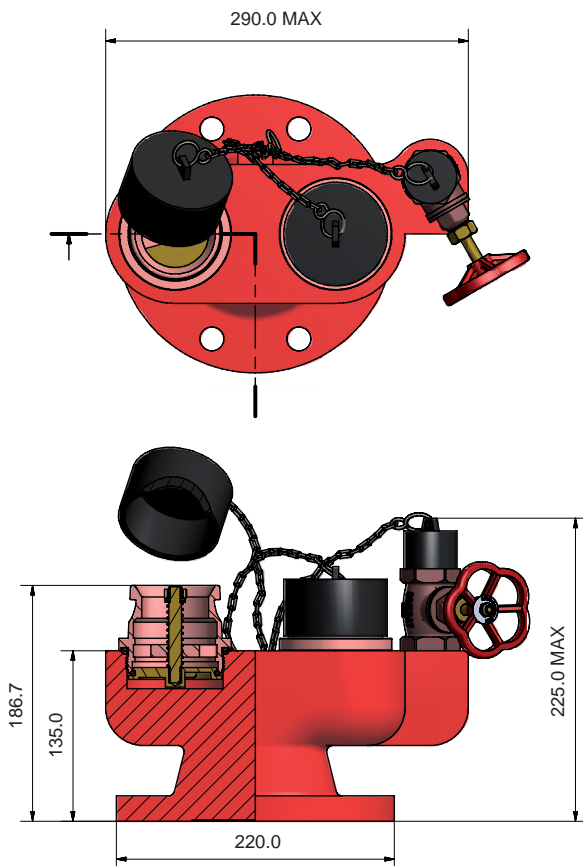
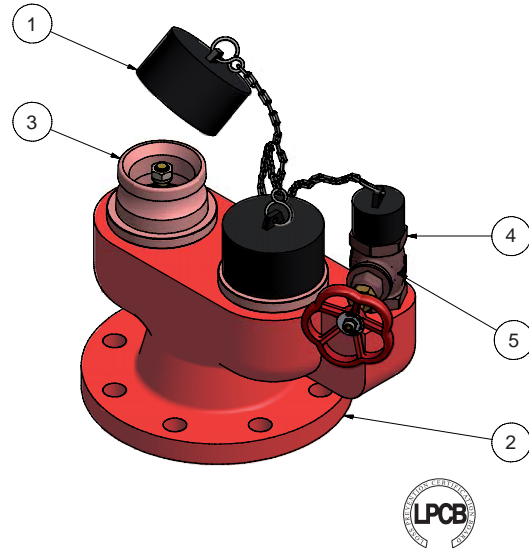


## 2-Way Inlet Breaching Valve

### DR-095

#### Technical Features

- **Pressure Data** : Hydrostatically tested to 24 Non-return valve tested to 22.5 bar
- **Inlet** : 65 mm male instantaneous coupling to BS 36 C/W, non-return valve, blanking caps and chain, brass alloy parts, with bronze springs and stainless steel lock-nut & washer.
- **Flange Size** : PN16 (BS EN 1092-2 : 1997)
- **Breaching Inlet Body** : HT200 Cast Iron
- **Total Weight** : 16.2 kg
- **Features** :
  - Compact design with excellent flow characteristics
  - High quality casting finishes
  - Adjustable Relief Valve
  - 25 mm drain valve with blanking cap and chain
  - Maintenance free
  - Vertical or horizontal mounting
- **Valve Standards** :  
Manufactured in accordance with BS 5041 : Part 3 : 1975
- **Part Number** : DR-095



#### DR-095

#### Parts List

No.	Description
1	Insert Plastic Blank Cap c/w Bi S-Hook & Chain
2	Body
3	Inlet Connector Assembly
4	Drain valve Blank Cap c/w Bi S-Hook & Chain
5	1" Drain valve