

	<h1 style="margin: 0;">TECHNICAL DATA</h1>	<h2 style="margin: 0;">EASYPAC STANDPIPE ASSEMBLIES</h2> <p style="margin: 0;">3", 4" &amp; 6" (DN80, DN100 &amp; DN150)</p>
---	--	--

The Viking Corporation, 210 N Industrial Park Drive, Hastings MI 49058

Telephone: 269-945-9501 Technical Services 877-384-5464 Fax: 269-945-4495 Email: techsvcs@vikingcorp.com

**1. DESCRIPTION**

Viking EasyPac Standpipe Assemblies are available in sizes 3", 4" and 6".

**2. LISTINGS AND APPROVALS**

Valve: UL Listed - VTSR (Model 75U)  
 FM Approved - Hose Valves

**3. TECHNICAL DATA**

**Specifications and Material Standards:**

Available since 2008.

- Pressure Rating: 300 PSI (20.7 bar) maximum water working pressure.
- Fabricated steel pipe.
- Available in grooved inlet and outlet connections using Schedule 10 steel pipe.
- Riser bodies coated with black Ecoat.
- Includes 2-1/2" Drain Valve with Cap and Chain.

**Ordering Information:**

(Also refer to the current Viking price list.)

3": Domestic - 15573, International - 15576

4" : Domestic - 15574, International - 15577

6" : Domestic - 15575, International - 15578

**Note: Domestic part numbers include 100% US made components.**

Viking Technical Data may be found on The Viking Corporation's Web site at <http://www.vikinggroupinc.com>. The Web site may include a more recent edition of this Technical Data Page.

**4. INSTALLATION**

Refer to appropriate NFPA Installation Standards.

**5. INSPECTIONS, TESTS AND MAINTENANCE**

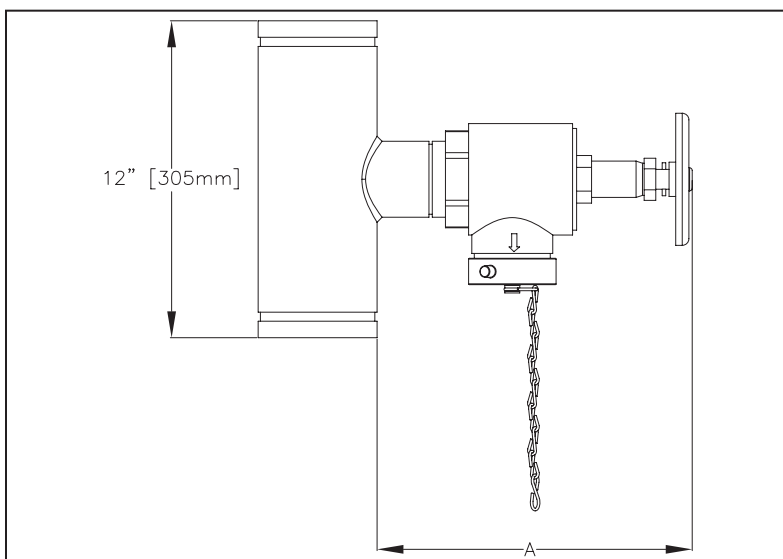
Refer to NFPA 25 for Inspection, Testing and Maintenance requirements.

**6. AVAILABILITY**

The Viking EasyPac Standpipe Assemblies are available through a network of domestic and international distributors. See The Viking Corporation web site for the closest distributor or contact The Viking Corporation.

**7. GUARANTEE**

For details of warranty, refer to Viking's current list price schedule or contact Viking directly.



<b>Table 1 - Specifications</b>			
	<b>3"</b> <b>(DN80)</b>	<b>4"</b> <b>(DN100)</b>	<b>6"</b> <b>(DN150)</b>
<b>Pipe OD</b>	1.315" (33.4 mm)	1.660" (42 mm)	1.900" (48 mm)
<b>Pipe ID</b>	1.097" (27.9 mm)	1.45" (36.6 mm)	1.69" (42.7 mm)
<b>Dimension A</b>	11-15/16" (303 mm)	11-15/16" (303 mm)	11-7/8" (302 mm)

THIS PAGE INTENTIONALLY  
LEFT BLANK