



TECHNICAL DATA

BLOW-OFF PLUGS (For Viking Model E Spray Nozzles)

The Viking Corporation, 210 N Industrial Park Drive, Hastings MI 49058

Telephone: 269-945-9501 Technical Services: 877-384-5464 Fax: 269-818-1680 Email: techsvcs@vikingcorp.com

1. DESCRIPTION

Blow-off plugs are used to prevent the depositing of foreign materials in the waterway of open Viking Model E Spray Nozzles, which could interfere with the discharge of the spray nozzles. Use of the blow-off plugs is optional.

2. LISTINGS AND APPROVALS

The blow-off plugs have no listings or approvals.

Refer to the spray nozzle technical data pages for spray nozzle listings and approvals.

3. TECHNICAL DATA

Specifications:

THE MINIMUM OPERATING PRESSURE OF MODEL E SPRAY NOZZLES WITH OPTIONAL BLOW-OFF PLUGS IS 20 PSI (1.4 BAR).

Rated for a maximum temperature of 350 °F (177 °C).

Material Standards:

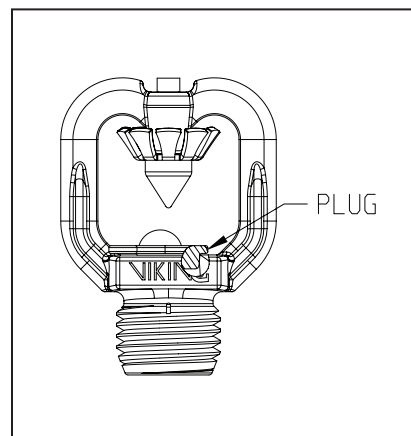
Plug: EPDM Rubber

Ordering Information: (Also refer to the current Viking price list.)

Match the Model E Spray Nozzle K-Factor(s) with the part number of the plug(s) as shown in the table.

NOTE: Spray nozzles and blow-off plugs must be ordered separately.

| Spray Nozzle K-Factor | Plug Part Number |
|-----------------------|------------------|
| 1.2, 1.8, 2.3 | 13161 |
| 3.2 | 13159 |
| 4.1 | 13160 |
| 5.6 | 13161 |
| 7.2 | 13162 |



 **WARNING:** Cancer and Reproductive Harm-
www.P65Warnings.ca.gov

Viking Technical Data may be found on
The Viking Corporation's Web site at
<http://www.vikinggroupinc.com>.
The Web site may include a more recent
edition of this Technical Data Page.

4. INSTALLATION

Refer to technical data Form No. 062104 for Model E Spray Nozzles. After installing the spray nozzle unit, push the plug into the waterway.

5. OPERATION

The plugs are designed to blow off when the system piping is pressurized.

6. INSPECTIONS, TESTS AND MAINTENANCE

If the system operates and dislodges the plug, check for damage. Reinstall the plug or replace it if it is damaged. It is recommended that outdoor installations of Model E Spray Nozzles with blow-off plugs be periodically inspected, during freezing weather conditions, for the presence of ice buildup from trapped condensate which could effect the proper release of the plugs.

7. AVAILABILITY

The Viking products are available through a network of domestic and international distributors. See The Viking Corporation web site for the closest distributor or contact The Viking Corporation.

8. GUARANTEE / LIMITED WARRANTY

For details of warranty, refer to Viking's current list price schedule or contact Viking directly.