



TECHNICAL DATA

MULTI-ZONE VALVE ASSEMBLIES

The Viking Corporation | 210 N Industrial Park Drive | Hastings MI 49058

Viking Special Hazards | Technical Services: 877-384-5464 | Email: techsvcs@vikingcorp.com | www.vikinggroupinc.com

The technical data described herein is for components of the Viking VSH200 and VSH1230 Clean Agent Systems.

For design, installation, and operation instructions, refer to the latest edition of the original source documents as outlined below.

VSH1230: Installation and Service Manual (Part No. 932159), Design Manual (Part No. 932157), and Operation Manual (Part No. 932161).

Visit the Viking website for the latest edition of the technical manuals listed above.

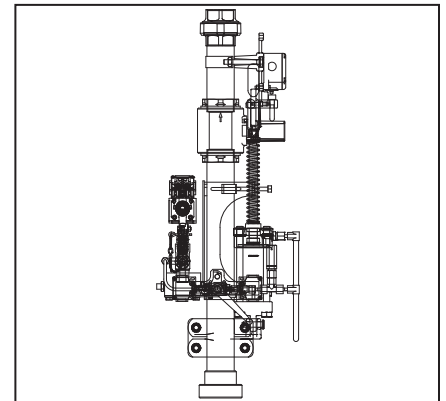
1. DESCRIPTION

The Viking VSH1230 Multi Zone Fire Extinguishing System utilizes selector valves that enable selective flooding of individual extinguishing zones. The selector valves are closed in operating status. After a fire has been detected in an extinguishing zone (or if the system has been released manually in an extinguishing zone), the selector valve that belongs to this extinguishing zone opens automatically and the extinguishing agent can flow into the extinguishing zone. This measure enables focused discharge of extinguishing agent in individual extinguishing zones and safeguarding extinguishing zones that are not affected.

Selector valves are available in various sizes:

- 1" (25mm), 1-1/2" (40mm), 2" (50mm), 2-1/2" 65mm, 3" (80mm), and 4" (100mm)

The selector valves are activated pneumatically via the pneumatic release device (PAE) with the aid of the EM release device



2. LISTINGS AND APPROVALS



UL Listed: Clean Agent Extinguishing System Unit



FM Approved: Clean Agent Fire Extinguishing System



WARNING: Cancer and Reproductive Harm-
www.P65Warnings.ca.gov

3. TECHNICAL DATA

Selector Valve Specifications

Operating Temperature Range per VdS/CE: -4°F to +122°F (-20°C to +50°C)

Operating Temperature Range per UL/FM: 0°F to +122°F (-18°C to +50°C)

Working Pressure Pneumatic Actuator 290 psi to 2031 psi (20 bar to 140 bar)

Test Pressure Pneumatic Actuator 3046 psi (210 bar)

Flow Characteristics (Selector Valve):

- 1" (DN25): equivalent length 7.09" (0.18m)
- 1-1/2" (DN40): equivalent length 10.63" (0.27m)
- 2" (DN50): equivalent length 14.57" (0.37m)
- 2-1/2" (DN65): equivalent length 16.93" (0.43m)
- 3" (DN80): equivalent length 21.65" (0.55m)
- 4" (DN100): equivalent length 26.38" (0.67m)

Ordering Information - Refer to Figures and Tables 1 - 6



TECHNICAL DATA

MULTI-ZONE VALVE ASSEMBLIES

The Viking Corporation | 210 N Industrial Park Drive | Hastings MI 49058

Viking Special Hazards | Technical Services: 877-384-5464 | Email: techsvcs@vikingcorp.com | www.vikinggroupinc.com

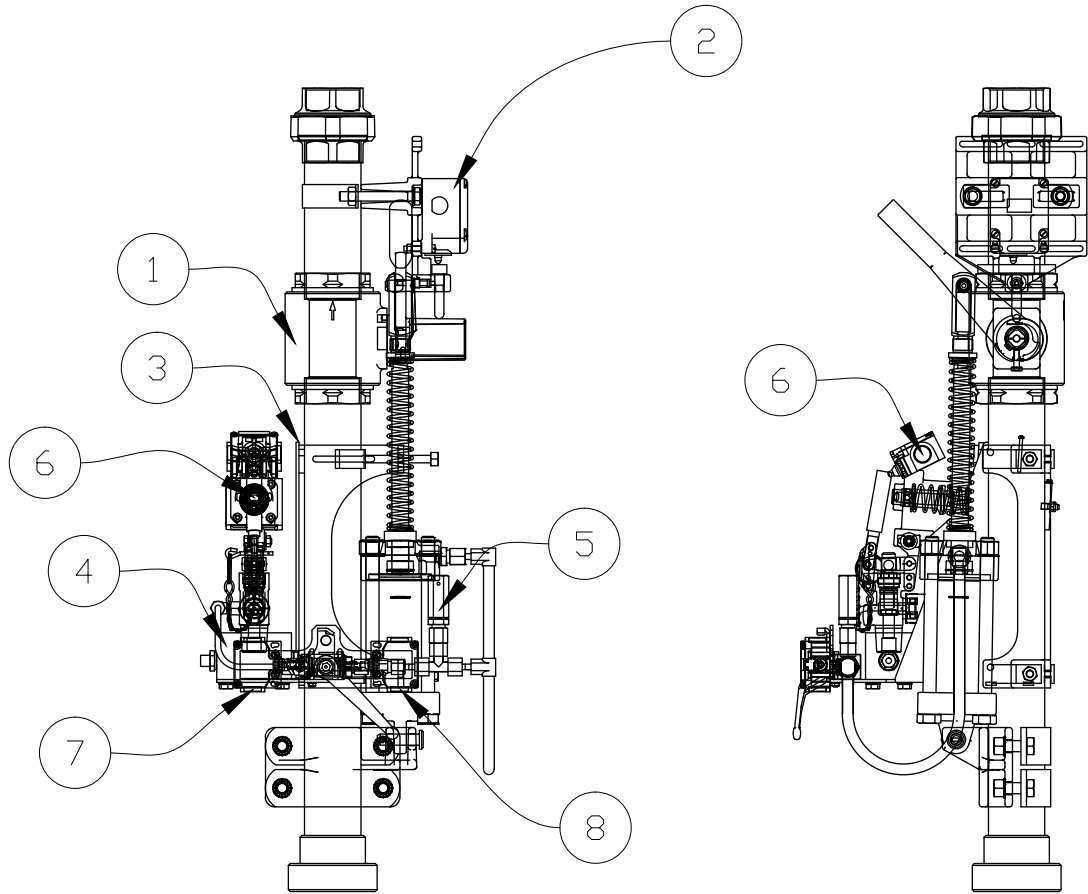


Figure 1: 1" (25mm) Valve

TABLE 1: 1" (25mm) Valve

Part No.		Description	
19297		1" (25mm) Multi-Zone Valve Assembly	
Item	Part No.	Description	Required
1	91 2052	1" (25mm) Selector Valve	1
2	72 4420	Valve Position Sensor	1
3	91 3084	Disable Control Unit Bracket	1
4	91 2467	Disable Control Unit	1
5	88 5869	Safety Malfunction Device	1
6	82 8482	EM Electrical Release Device Position Sensor	1
7	84 8284	Disable Unit Position Sensor "Operation"	1
8	84 8284	Disable Unit Position Sensor "Disabled"	1



TECHNICAL DATA

MULTI-ZONE VALVE ASSEMBLIES

The Viking Corporation | 210 N Industrial Park Drive | Hastings MI 49058

Viking Special Hazards | Technical Services: 877-384-5464 | Email: techsvcs@vikingcorp.com | www.vikinggroupinc.com

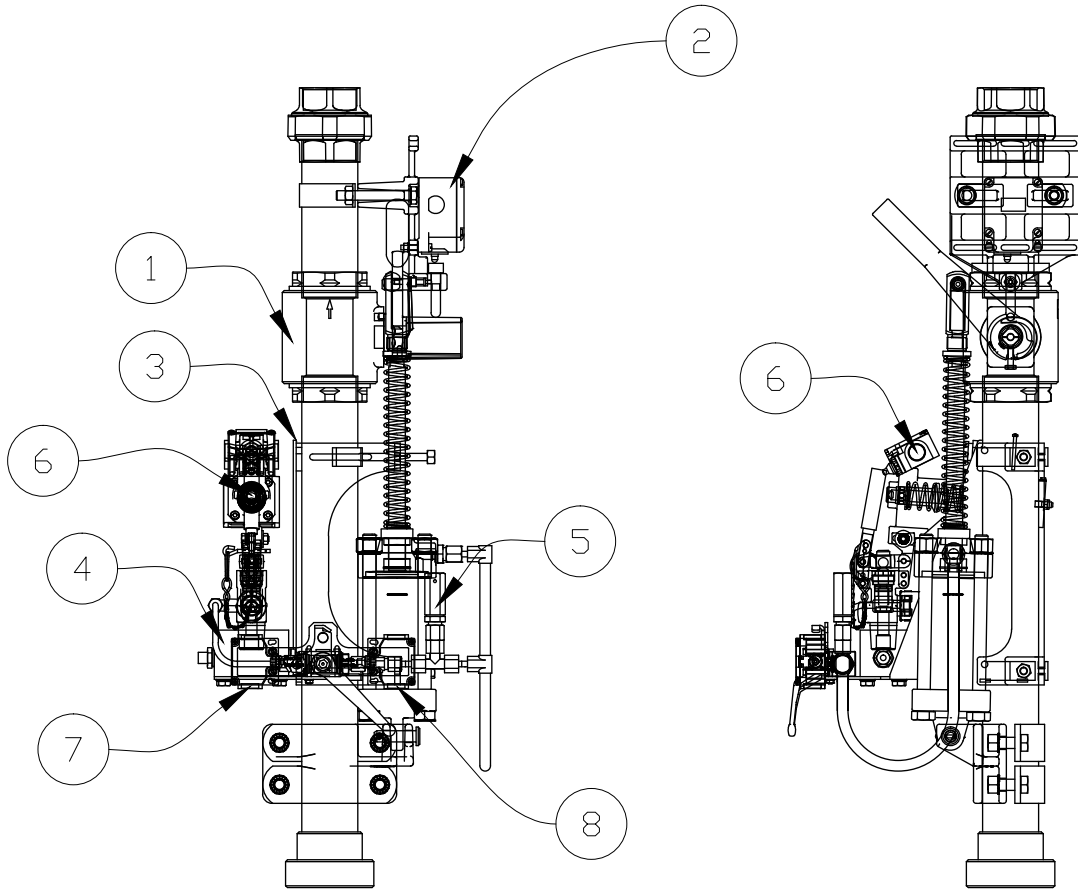


Figure 2: 1-1/2" (40mm) Valve

TABLE 2: 1-1/2" (40mm) Valve			
Part No.		Description	
19298		1-1/2" (40mm) Multi-Zone Valve Assembly	
Item	Part No.	Description	Required
1	91 2053	1-1/2" (40mm) Selector Valve	1
2	72 4420	Valve Position Sensor	1
3	91 3084	Disable Control Unit Bracket	1
4	91 2467	Disable Control Unit	1
5	88 5869	Safety Malfunction Device	1
6	82 8482	EM Electrical Release Device Position Sensor	1
7	84 8284	Disable Unit Position Sensor "Operation"	1
8	84 8284	Disable Unit Position Sensor "Disabled"	1



TECHNICAL DATA

MULTI-ZONE VALVE ASSEMBLIES

The Viking Corporation | 210 N Industrial Park Drive | Hastings MI 49058

Viking Special Hazards | Technical Services: 877-384-5464 | Email: techsvcs@vikingcorp.com | www.vikinggroupinc.com

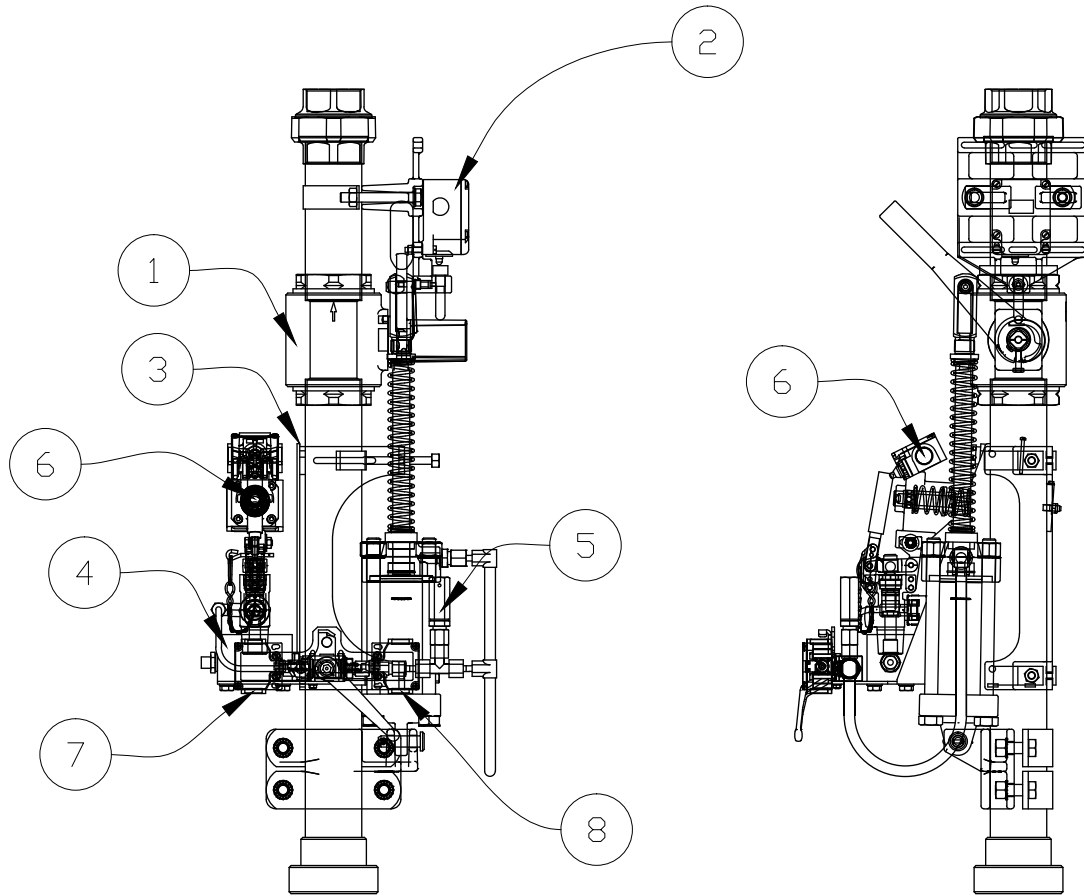


Figure 3: 2" (50mm) Valve

TABLE 3: 2" (50mm) Valve

Part No.		Description	
19299		2" (50mm) Multi-Zone Valve Assembly	
Item	Part No.	Description	Required
1	91 2054	2" (50mm) Selector Valve	1
2	72 4420	Valve Position Sensor	1
3	91 3084	Disable Control Unit Bracket	1
4	91 2467	Disable Control Unit	1
5	88 5869	Safety Malfunction Device	1
6	82 8482	EM Electrical Release Device Position Sensor	1
7	84 8284	Disable Unit Position Sensor "Operation"	1
8	84 8284	Disable Unit Position Sensor "Disabled"	1



TECHNICAL DATA

MULTI-ZONE VALVE ASSEMBLIES

The Viking Corporation | 210 N Industrial Park Drive | Hastings MI 49058

Viking Special Hazards | Technical Services: 877-384-5464 | Email: techsvcs@vikingcorp.com | www.vikinggroupinc.com

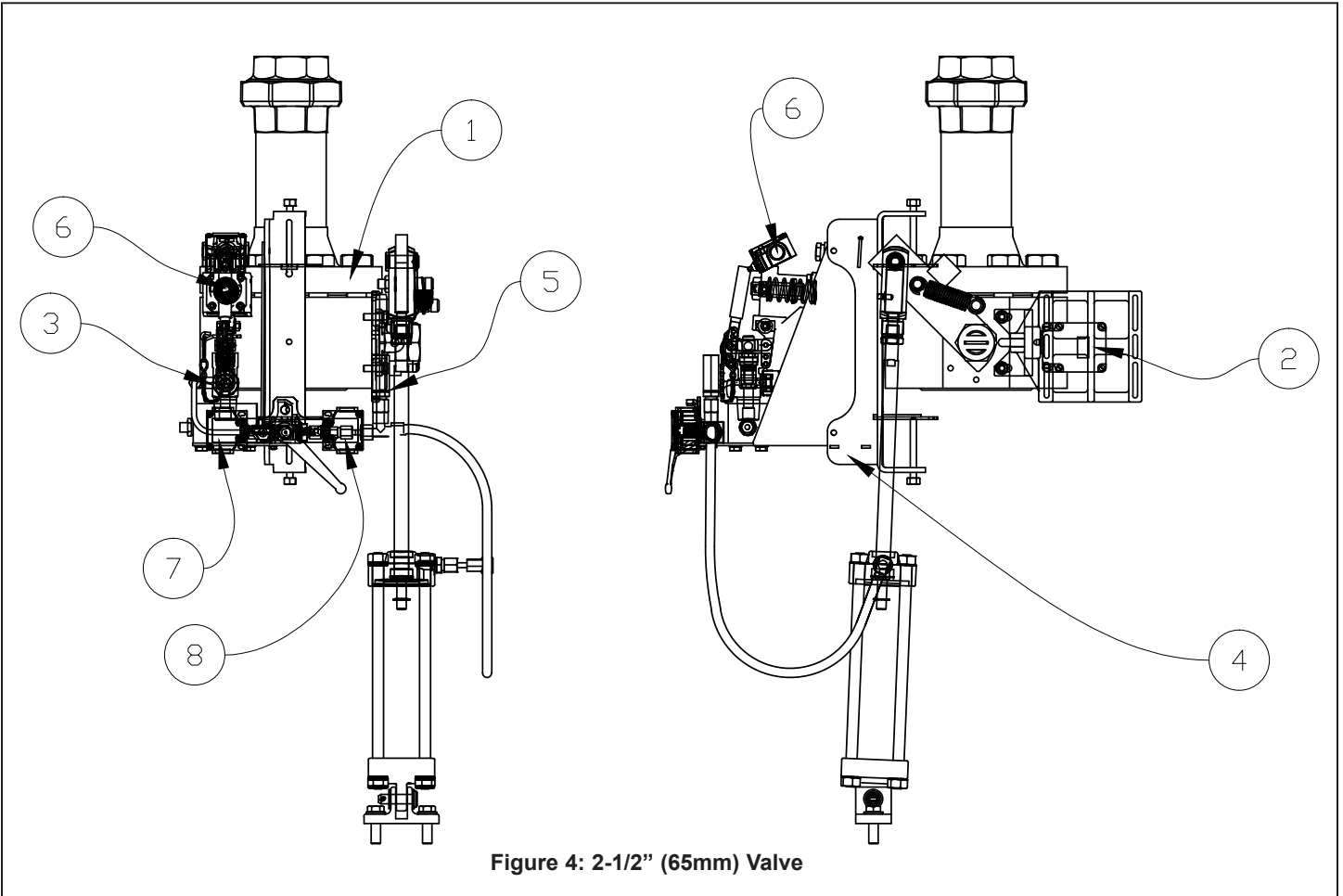


Figure 4: 2-1/2" (65mm) Valve

TABLE 4: 2-1/2" 65mm Valve			
Part No.		Description	
19300		2-1/2" (65mm) Multi-Zone Valve Assembly	
Item	Part No.	Description	Required
1	87 3217	2-1/2" (65mm) Selector Valve	1
2	72 4420	Valve Position Sensor	1
3	91 2467	Disable Control Unit	1
4	91 5033	Disable Control Unit Bracket	1
5	88 5869	Safety Malfunction Device	1
6	82 8482	EM Electrical Release Device Position Sensor	1
7	84 8284	Disable Unit Position Sensor "Operation"	1
8	84 8284	Disable Unit Position Sensor "Disabled"	1



TECHNICAL DATA

MULTI-ZONE VALVE ASSEMBLIES

The Viking Corporation | 210 N Industrial Park Drive | Hastings MI 49058

Viking Special Hazards | Technical Services: 877-384-5464 | Email: techsvcs@vikingcorp.com | www.vikinggroupinc.com

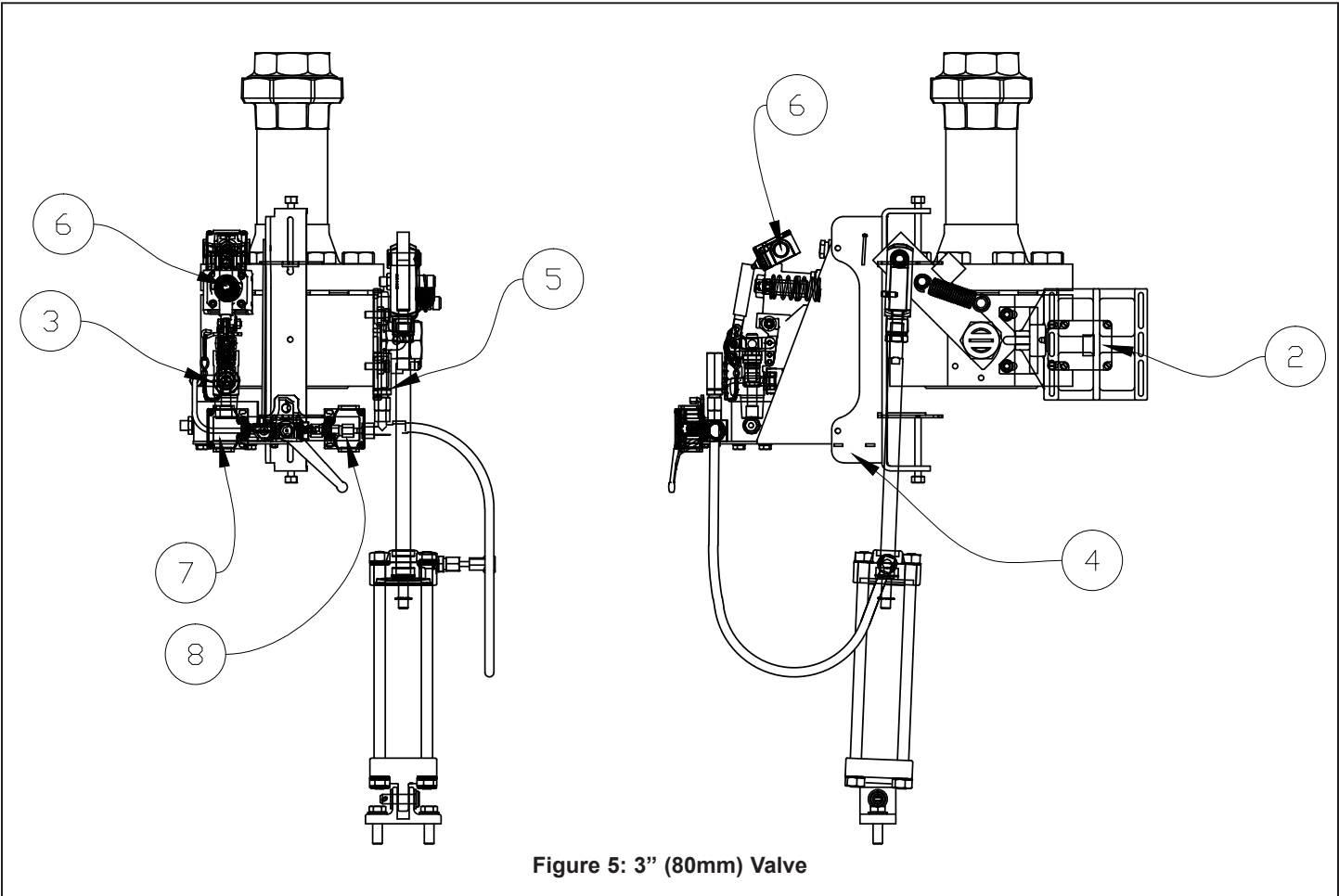


Figure 5: 3" (80mm) Valve

TABLE 5: 3" (80mm) Valve			
Part No.		Description	
19301		3" (80mm) Multi-Zone Valve Assembly	
Item	Part No.	Description	Required
1	87 6255	3" (80mm) Selector Valve	1
2	72 4420	Valve Position Sensor	1
3	91 2467	Disable Control Unit	1
4	91 5033	Disable Control Unit Bracket	1
5	88 5869	Safety Malfunction Device	1
6	82 8482	EM Electrical Release Device Position Sensor	1
7	84 8284	Disable Unit Position Sensor "Operation"	1
8	84 8284	Disable Unit Position Sensor "Disabled"	1



TECHNICAL DATA

MULTI-ZONE VALVE ASSEMBLIES

The Viking Corporation | 210 N Industrial Park Drive | Hastings MI 49058

Viking Special Hazards | Technical Services: 877-384-5464 | Email: techsvcs@vikingcorp.com | www.vikinggroupinc.com

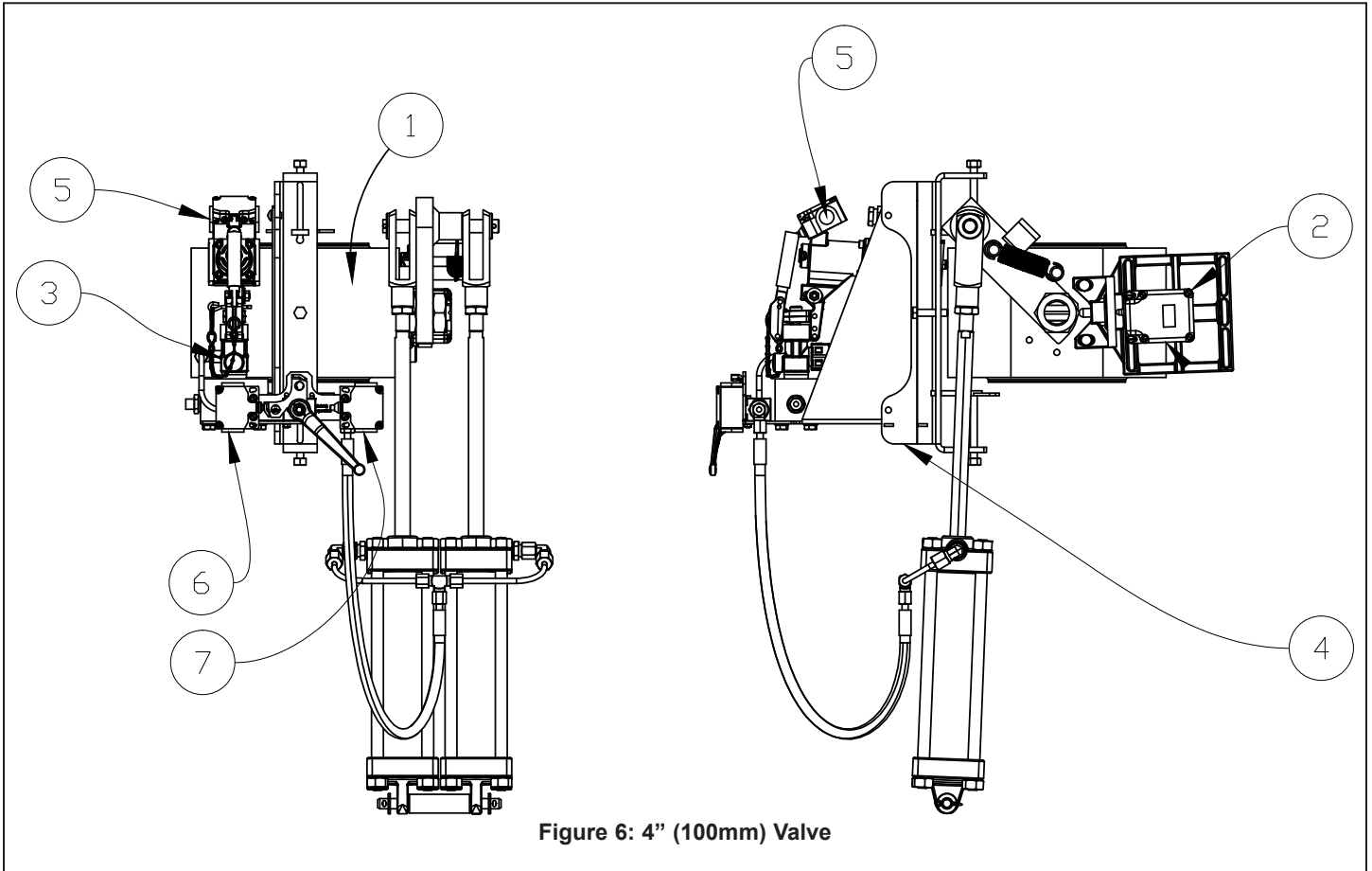


Figure 6: 4" (100mm) Valve

TABLE 6: 4" (100mm) Valve			
Part No.		Description	
19302		4" (100mm) Multi-Zone Valve Assembly	
Item	Part No.	Description	Required
1	88 7895	4" (100mm) Selector Valve	1
2	72 4420	Valve Position Sensor	1
3	91 2467	Disable Control Unit	1
4	91 5033	Disable Control Unit Bracket	1
5	82 8482	EM Electrical Release Device Position Sensor	1
6	84 8284	Disable Unit Position Sensor "Operation"	1
7	84 8284	Disable Unit Position Sensor "Disabled"	1