



Wall Mount Nitrogen Generators for Dry Pipe Sprinkler Systems

General Air Products Wall Mount Nitrogen Generators are specifically designed to provide on-site, high purity nitrogen for use in dry and pre-action fire sprinkler systems. Utilizing a simple, low-profile design ready to be connected to a new or existing fire sprinkler system. Each Wall Mount Nitrogen Generator includes a QUIET fire protection air compressor, as well as a 30 gallon nitrogen storage tank and a PLC controller for data recording and simplified operation. General Air Products Wall Mount Nitrogen Generators provide a reliable and efficient method of producing a minimum of 98% nitrogen at the point of usage which will inhibit corrosion, improve the life of the system and lower maintenance costs.



- Low-Profile, Turn-Key Design
- 98%+ Nitrogen Purity Standard
- QUIET Fire Protection Air Compressor
- PLC Controller for Data Recording & Simplified Operation
- Premium Nitrogen Membrane
- 30 Gallon Nitrogen Storage Tank
- Lifetime Customer Service & Tech Support

Maintenance Capacity	Model Number	System Capacity		Compressor		Electrical Requirements			N2 Storage Tank (gal)
		40 PSI in 30 min	20 PSI in 30 min	Type	HP	Phase	Volts	Amps	
850 gal	NGP-WM850-1A	135 gal	275 gal	QUIET Oil-Less	1/4	Single	115	3.4	30
1100 gal	NGP-WM1100-1A	215 gal	425 gal	QUIET Oil-Less	1/2	Single	115	6.8	30

Included Standard:



QUIET Fire Protection Air Compressor
Specifically designed to fill the sprinkler system to supervisory pressure within 30 minutes per NFPA 13.



30 Gallon Vertical Nitrogen Storage Tank
ASME Coded. Included to keep the nitrogen generator operating at peak efficiency.

Accessories:



Air Maintenance Device
Required to regulate the volume of air being delivered to the system. Our AMDs are UL listed & FM approved.

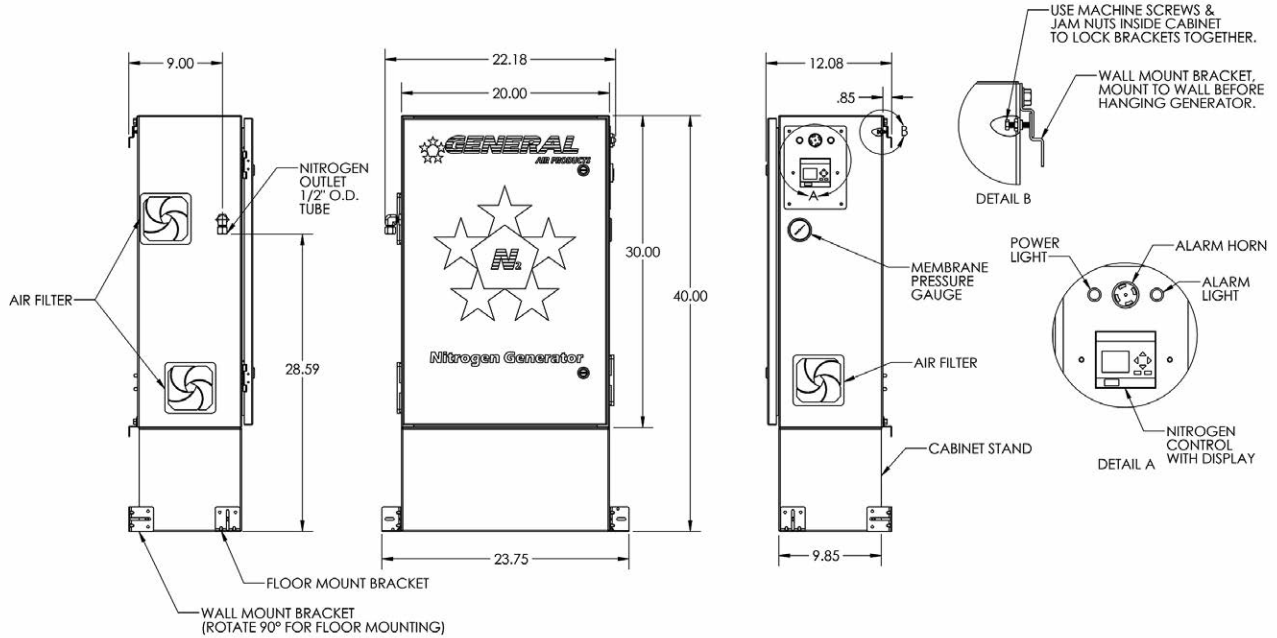


Inspectors Gas Analyzer Port (iGAP)
Analyzer port to monitor and ensure high purity nitrogen is equally distributed throughout the fire sprinkler system.



Wall Mount Nitrogen Generators for Dry Pipe Sprinkler Systems

Wall Mount Cabinet Dimensions



30 Gallon Tank Dimensions

