

## Fig. 202 - Adjustable Epoxy Copper Tec™ Tubing Ring Hanger

**Size Range** — 1/2" thru 6" copper tubing

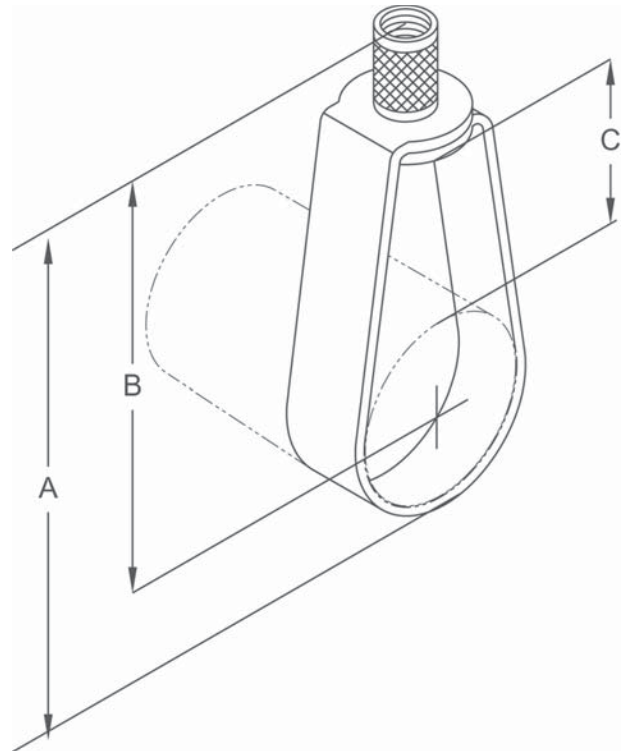
**Material** — Carbon Steel

**Function** — Recommended for the suspension of noninsulated stationary copper tubing.

**Approvals** — Conforms to Federal Specification WW-H-171E, Type 10, 1/2" thru 4", and Manufacturers Standardization Society SP-69, Type 10

**Finish** — Epoxy Copper Tec™ Plated

**Order By** — Figure number and nominal tubing size



**Dimensions • Weights**

Pipe Size	Rod Size	A	B	C	Max. Rec. Load Lbs.	Approx. Wt./100
1/2	3/8	3 1/8	2 3/4	1 1/2	400	11
3/4	3/8	3 1/8	2 5/8	1 1/4	400	11
1	3/8	3 1/8	2 1/2	1	400	12
1 1/4	3/8	3 1/4	2 1/2	1	400	13
1 1/2	3/8	3 7/8	3	1 1/4	400	14
2	3/8	4 1/2	3 3/8	1 1/2	400	15
2 1/2	3/8*	5 1/2	4 3/8	2	600	40
3	1/2	6 3/8	4 3/4	2	600	45
3 1/2	1/2	6 3/8	4 1/2	1 1/2	600	52
4	1/2*	7 3/8	5 1/4	2	1250	59
5	5/8	8 3/8	5 3/4	2	1250	97
6	5/8	9 1/2	6 3/8	1 1/8	1250	139

\* 2 1/2" CT filled with water weighs less than 2" IP filled with water, 4" CT less than 3 1/2" IP with water. 2 1/2" CT available with 1/2" thread and 4" CT available with 5/8" thread for Government Specs.