

Fig. 70 - Steel Rod Coupling
Fig. 70R - Steel Reducing Rod Coupling
Fig. 70S - Short Pattern Steel Rod Coupling
Fig. 71 - Steel Window Rod Coupling

Size Range — 1/4" thru 1½" rod

Material — Carbon Steel

Function — Used for coupling two threaded rods together of equal or reduced rod sizes, with or without inspection hole.

Finish — Electro-Galvanized

Note — Available in HDG finish or Stainless Steel materials.

Fig. 70

Dimensions • Weights			
Rod Size	Length	Max Rec. Load Lbs.	Approx. Wt./100
1/4	7/8	240	2
5/16	1¾	300	13
3/8	1¾	610	11
1/2	1¾	1130	11
5/8	2½	1810	16
3/4	2¼	2710	27
7/8	2½	3770	57
1	2¾	4960	70

1½" - 1½" — Consult factory for specifications

Fig. 70R

Dimensions • Weights			
Rod Size	Length	Max Rec. Load Lbs.	Approx. Wt./100
3/8 x 1/4	7/8	240	4
1/2 x 3/8	1¾	610	7
5/8 x 1/2	2½	1130	14
3/4 x 5/8	2¼	1810	21
7/8 x 3/4	2½	2710	40

Fig. 70S/Fig. 71

Dimensions • Weights			
Rod Size	Length	Max Rec. Load Lbs.	Approx. Wt./100
3/8	1½	610	4
1/2	1¼	1130	6

For rod sizes 5/8" to 1" - consult factory

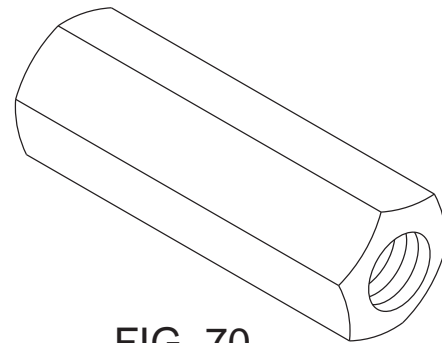


FIG. 70

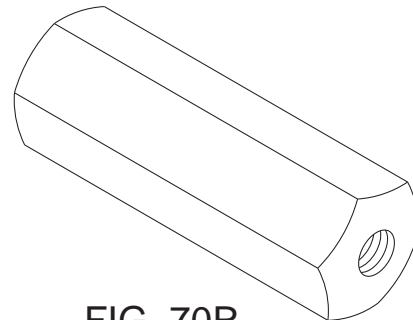


FIG. 70R

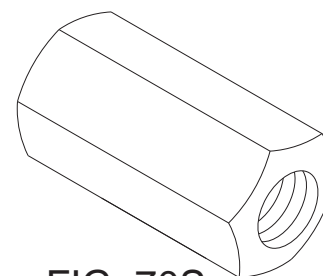


FIG. 70S

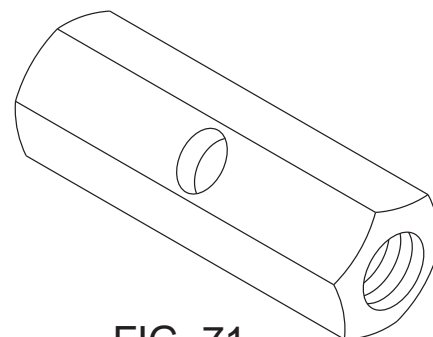


FIG. 71